

[54] BELT BUCKLE OR SIMILAR ARTICLE

[76] Inventors: Ernest H. Smith, P.O. Box 891, West Sacramento, Calif. 95691; Roddy Rodgers, Rte. 3, Box 725, Traveler's Rest, S.C. 29690

[**] Term: 14 Years

[21] Appl. No.: 907,270

[22] Filed: May 17, 1978

[51] Int. Cl. D02-99

[52] U.S. Cl. D2/427

[58] Field of Search D2/426-448, D2/380-394, 451, 452; 24/163 R, 163 K, 186, 187, 197, 198, 199, 200

[56] References Cited

U.S. PATENT DOCUMENTS

D. 245,377 8/1977 Romano D2/447

OTHER PUBLICATIONS

Registered Trademark #663,894, Jul. 1, 1958, "Fort Sutter" and Design.

Registered Trademark #160,910, Oct. 31, 1922, "Fort Sutter".

Primary Examiner—Joel Stearman

Assistant Examiner—Carmen H. Vales

Attorney, Agent, or Firm—Mark C. Jacobs

[57] CLAIM

The ornamental design for a belt buckle or similar article, substantially as shown and described.

DESCRIPTION

FIG. 1 is a front elevational view of a belt buckle, showing our new design;

FIG. 2 is a rear elevational view thereof;

FIG. 3 is a top elevational view thereof;

FIG. 4 is a left side elevational view thereof; and

FIG. 5 is a right side elevational view thereof.

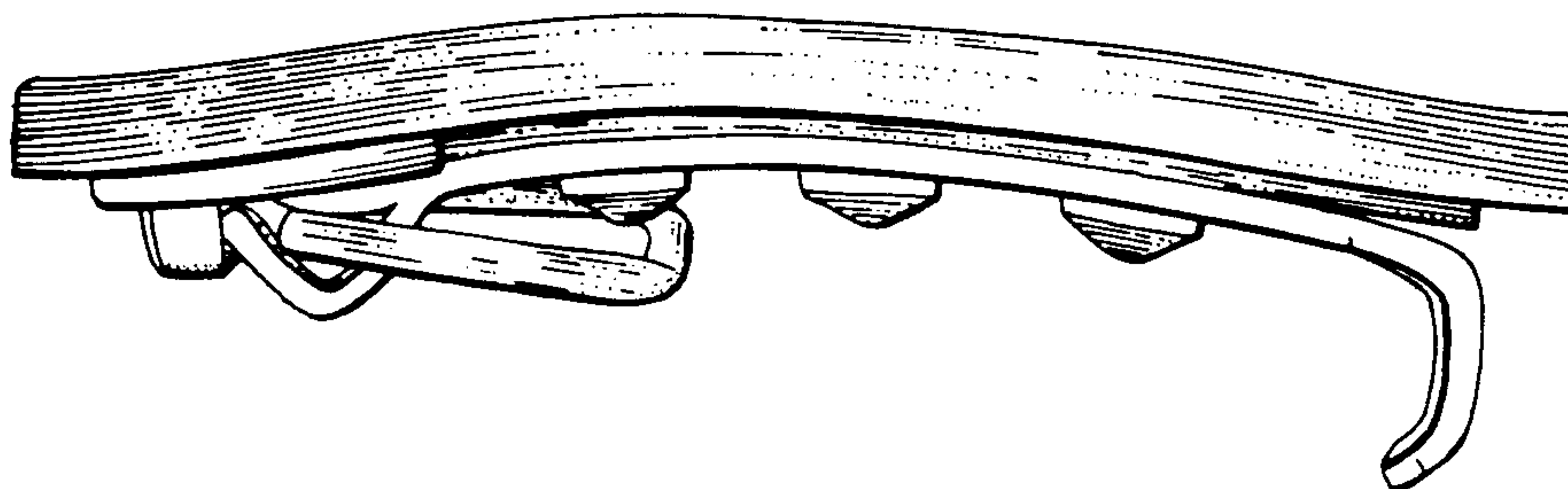




FIG. 1

FIG. 2

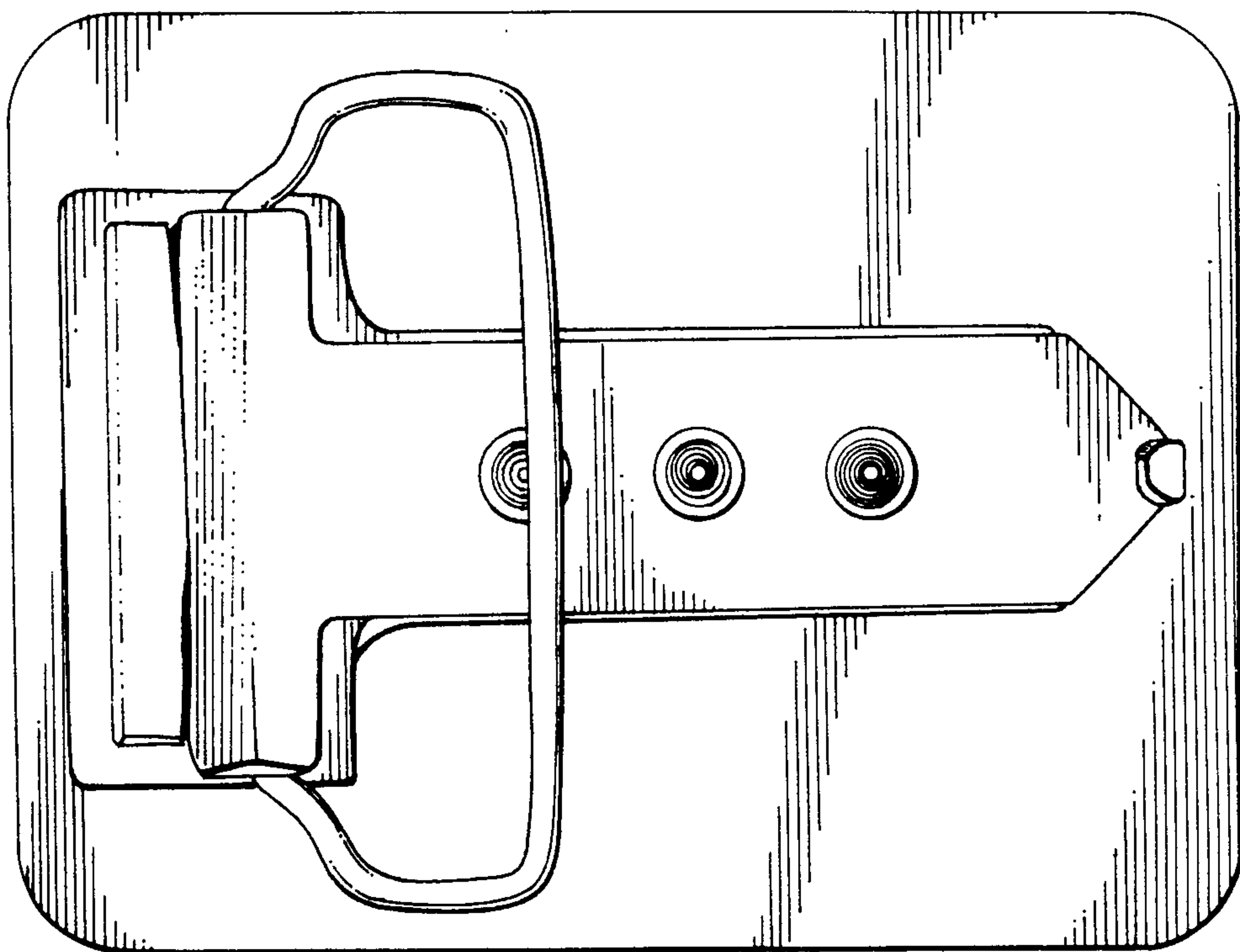


FIG. 3

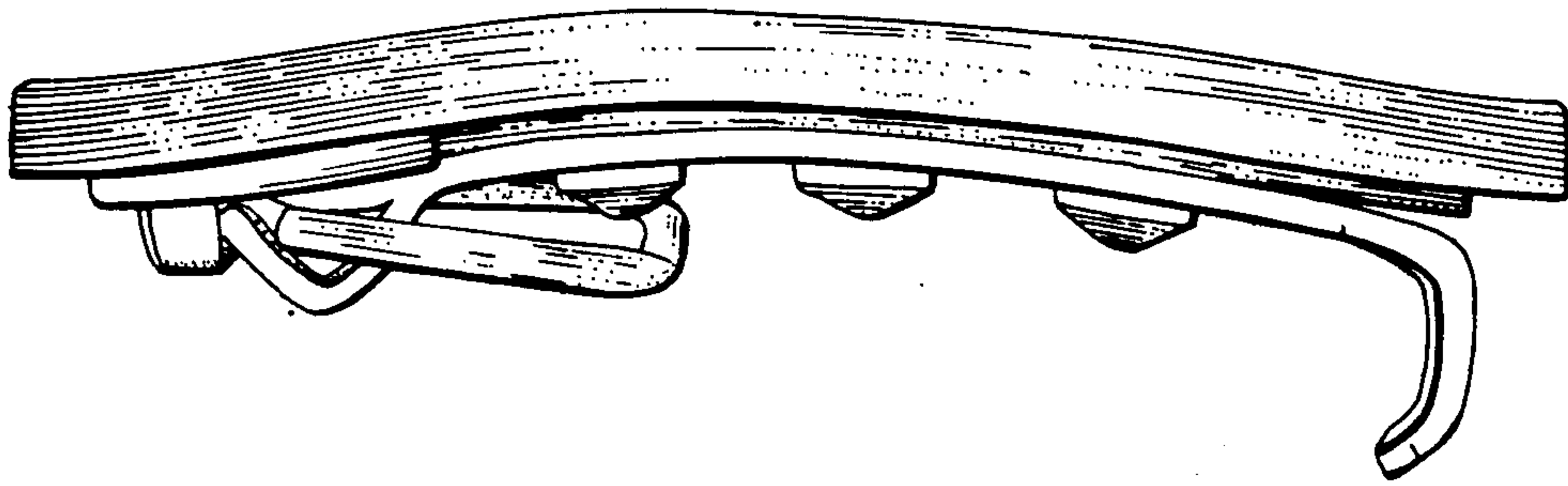


FIG. 4

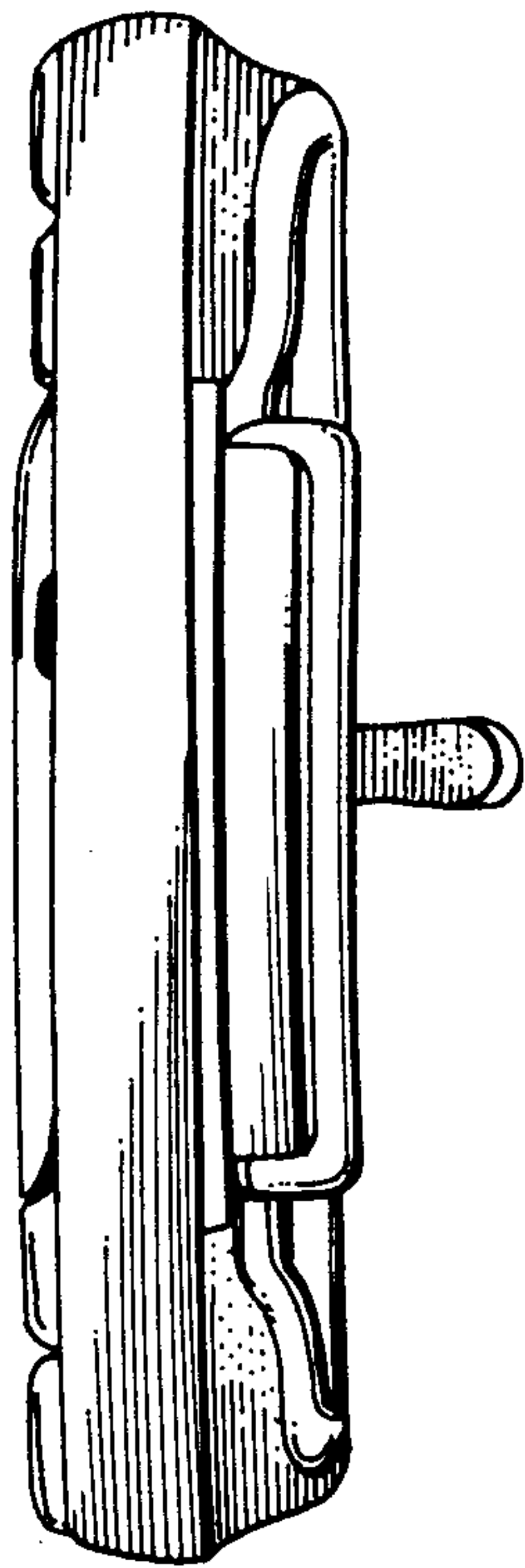


FIG. 5

