

[54] FOAL FEEDER

[76] Inventor: Andrew Gorretta, 339 Bentleyville Rd., Moreland Hills, Ohio 44022

[\*\*] Term: 14 Years

[21] Appl. No.: 885,698

[22] Filed: Mar. 13, 1978

[51] Int. Cl. .... D30-03

[52] U.S. Cl. .... D30/13

[58] Field of Search ..... D30/13-18; 119/59, 60, 61, 67, 68

[56] References Cited

U.S. PATENT DOCUMENTS

23,386 3/1859 Packer ..... 119/60 X

D. 58,196	6/1921	McCollough .....	D30/13
D. 118,124	12/1939	MacLean .....	D30/13
487,003	11/1892	Doolan .....	119/60 X
1,450,519	4/1923	Shively .....	119/61
3,924,573	12/1975	Thomas et al. ....	D30/13 X

Primary Examiner—James R. Lergen  
Attorney, Agent, or Firm—James G. Watterson

[57] CLAIM

The ornamental design for a foal feeder, as shown.

DESCRIPTION

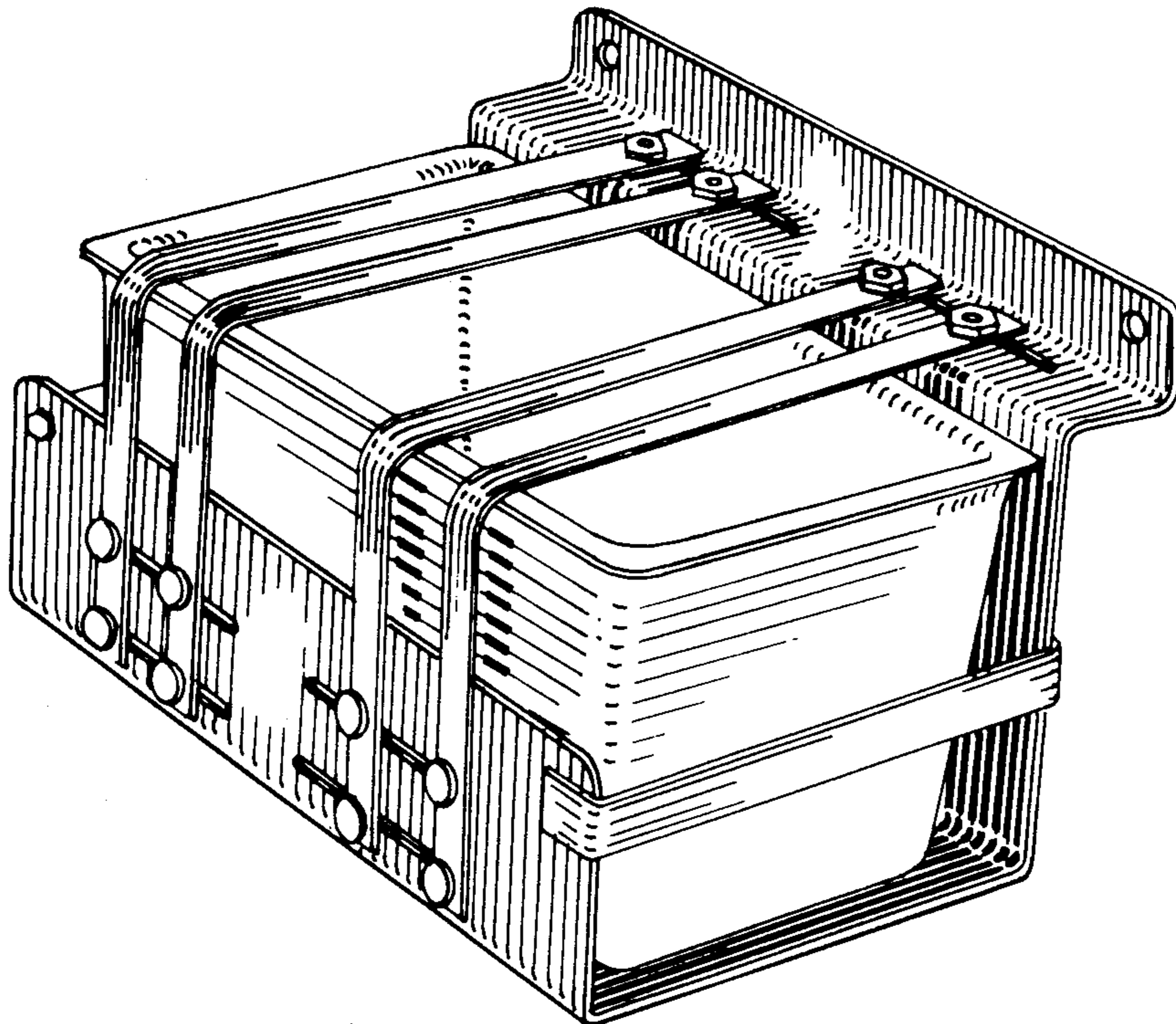
FIG. 1 is a perspective view of a foal feeder showing my design.

FIG. 2 is a front elevational view thereof;

FIG. 3 is a right side elevational view thereof;

FIG. 4 is a rear elevational view thereof; and

FIG. 5 is a left side elevational view thereof.



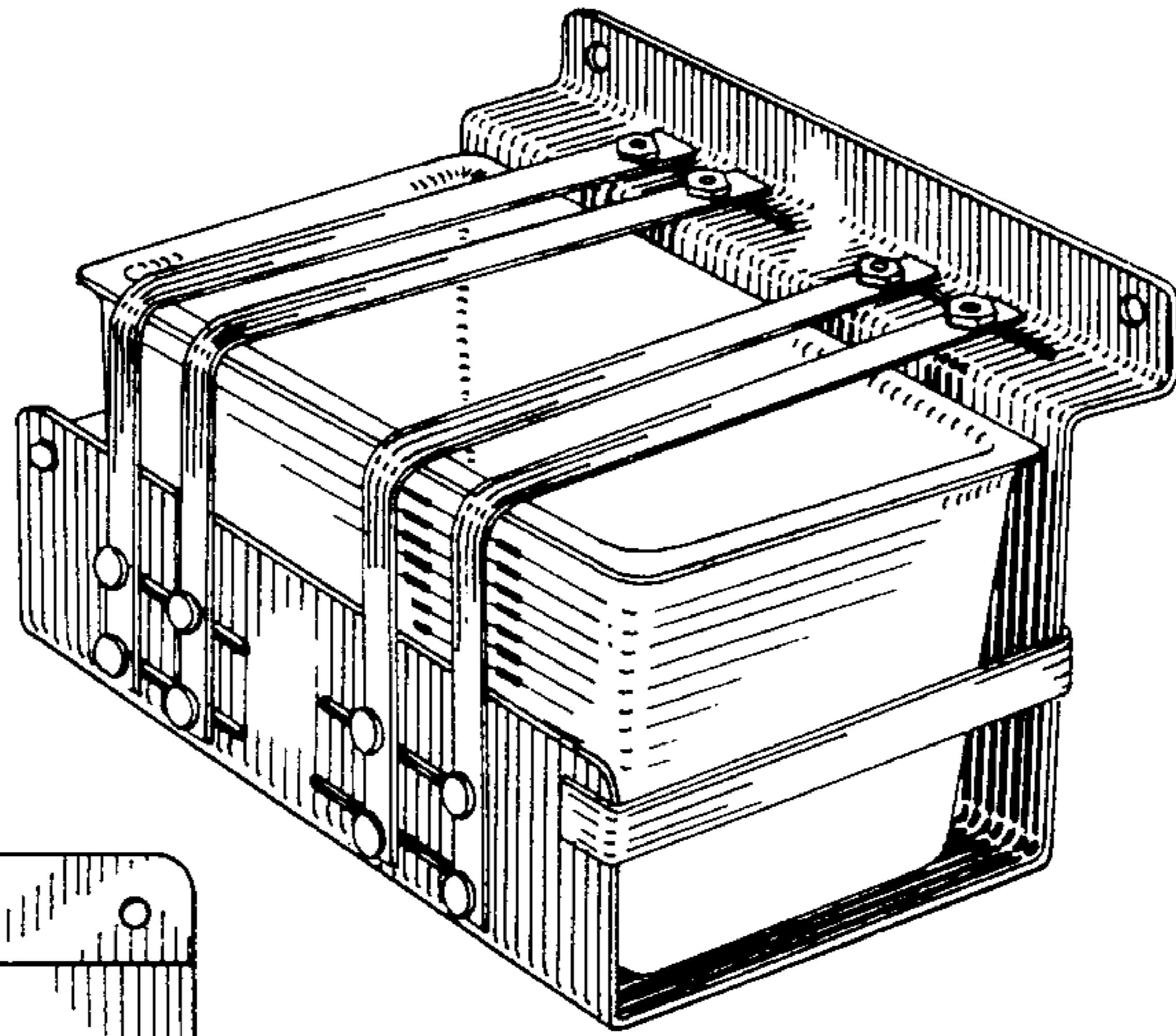


FIG. 1

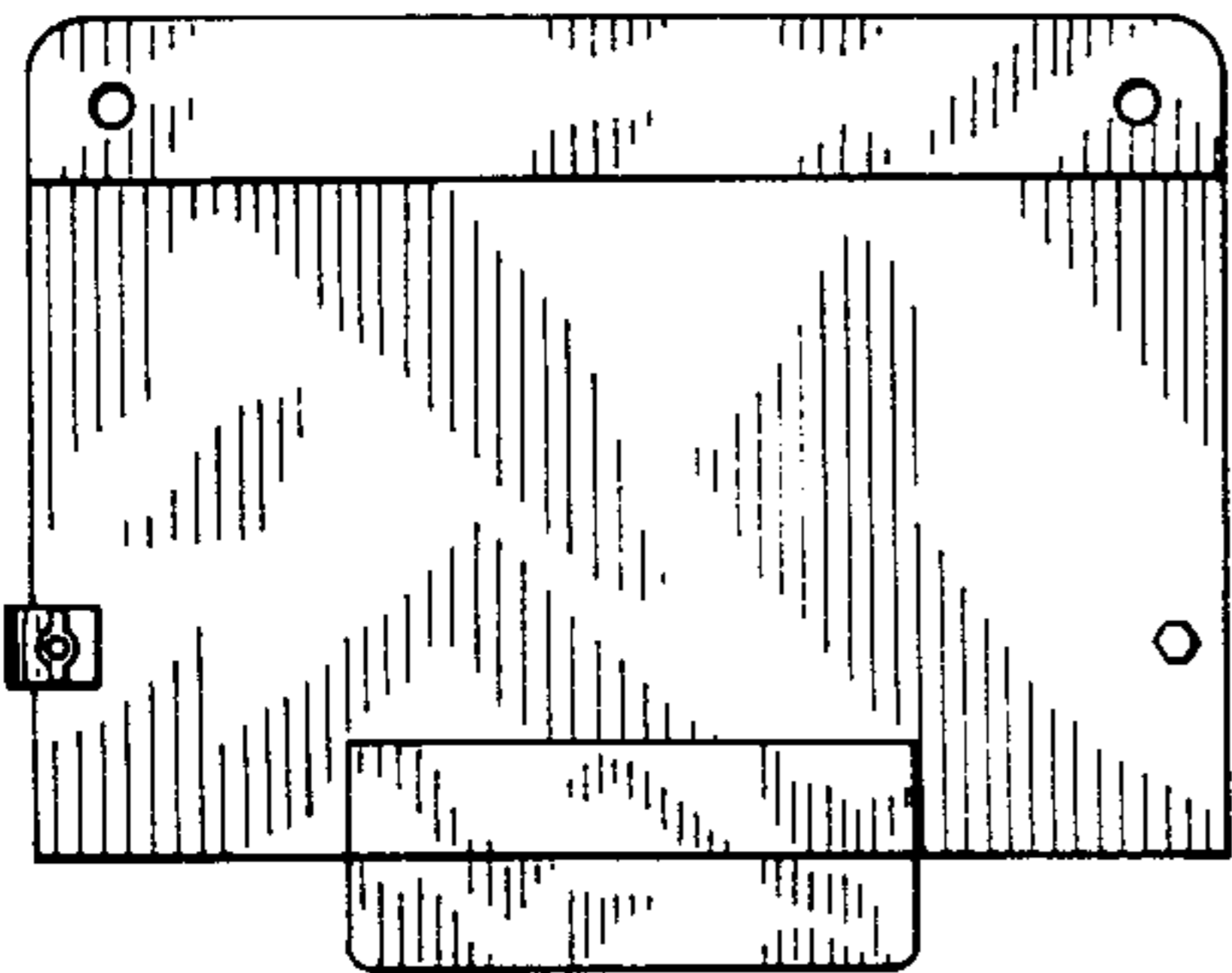


FIG. 4

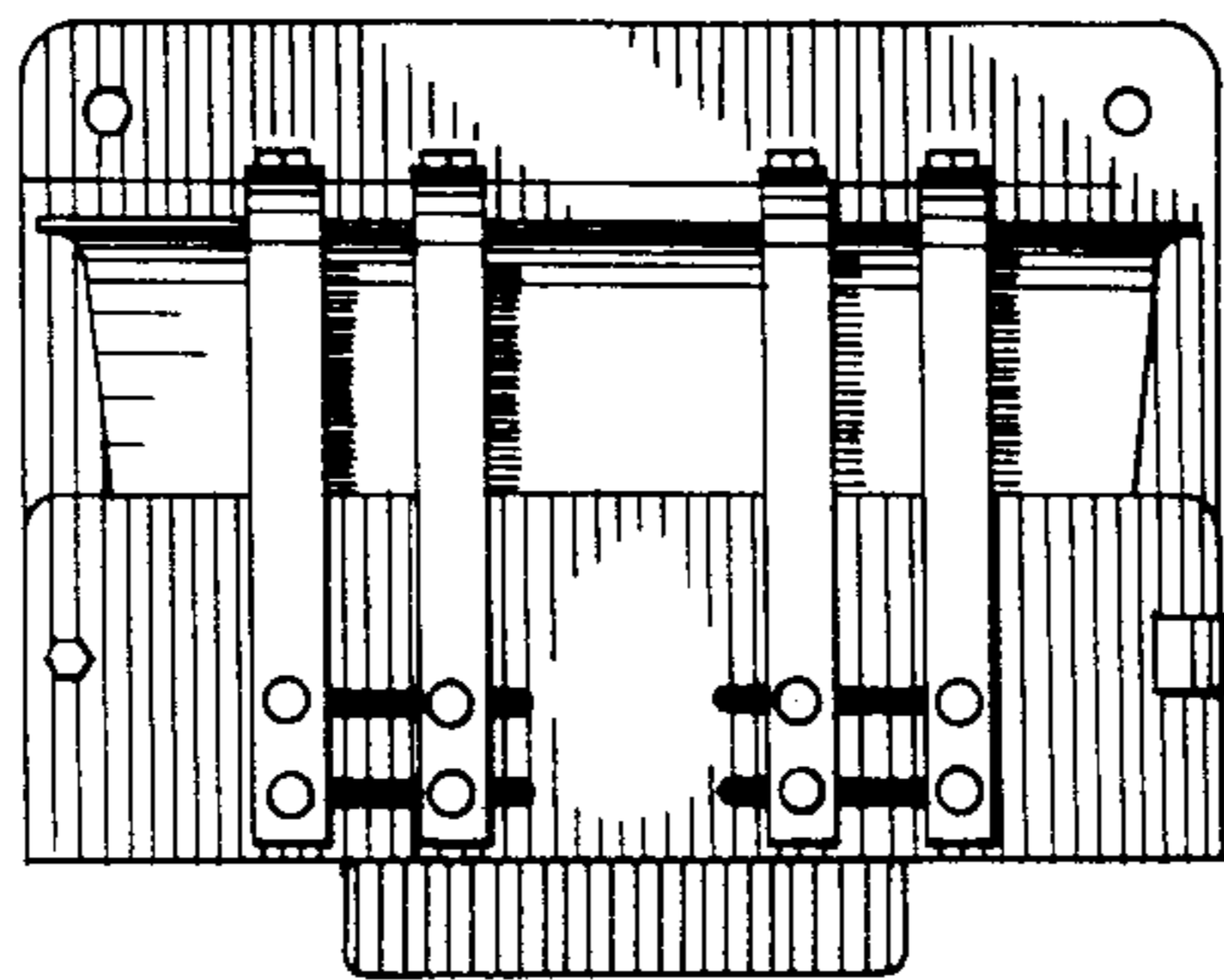


FIG. 2

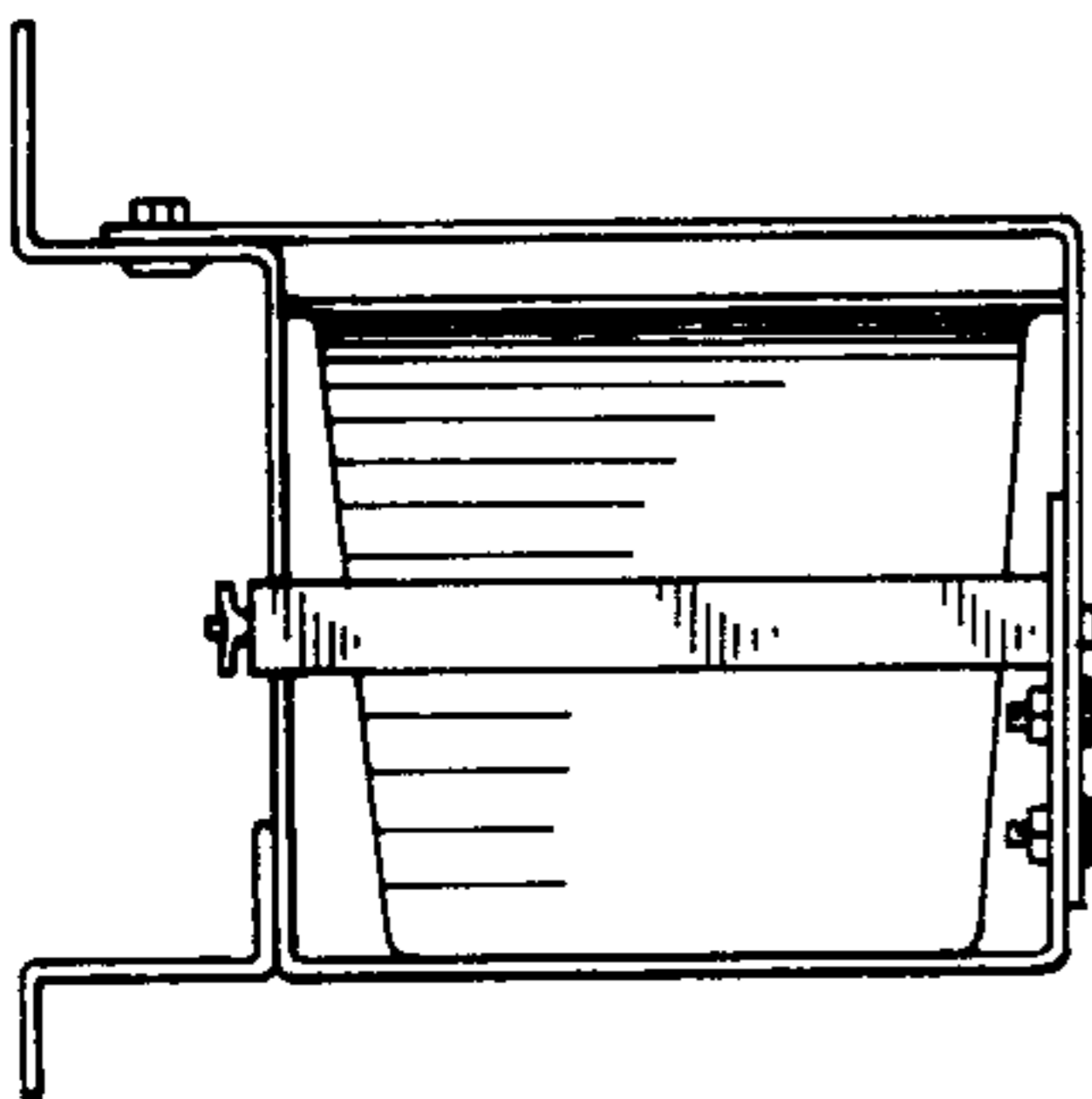


FIG. 5

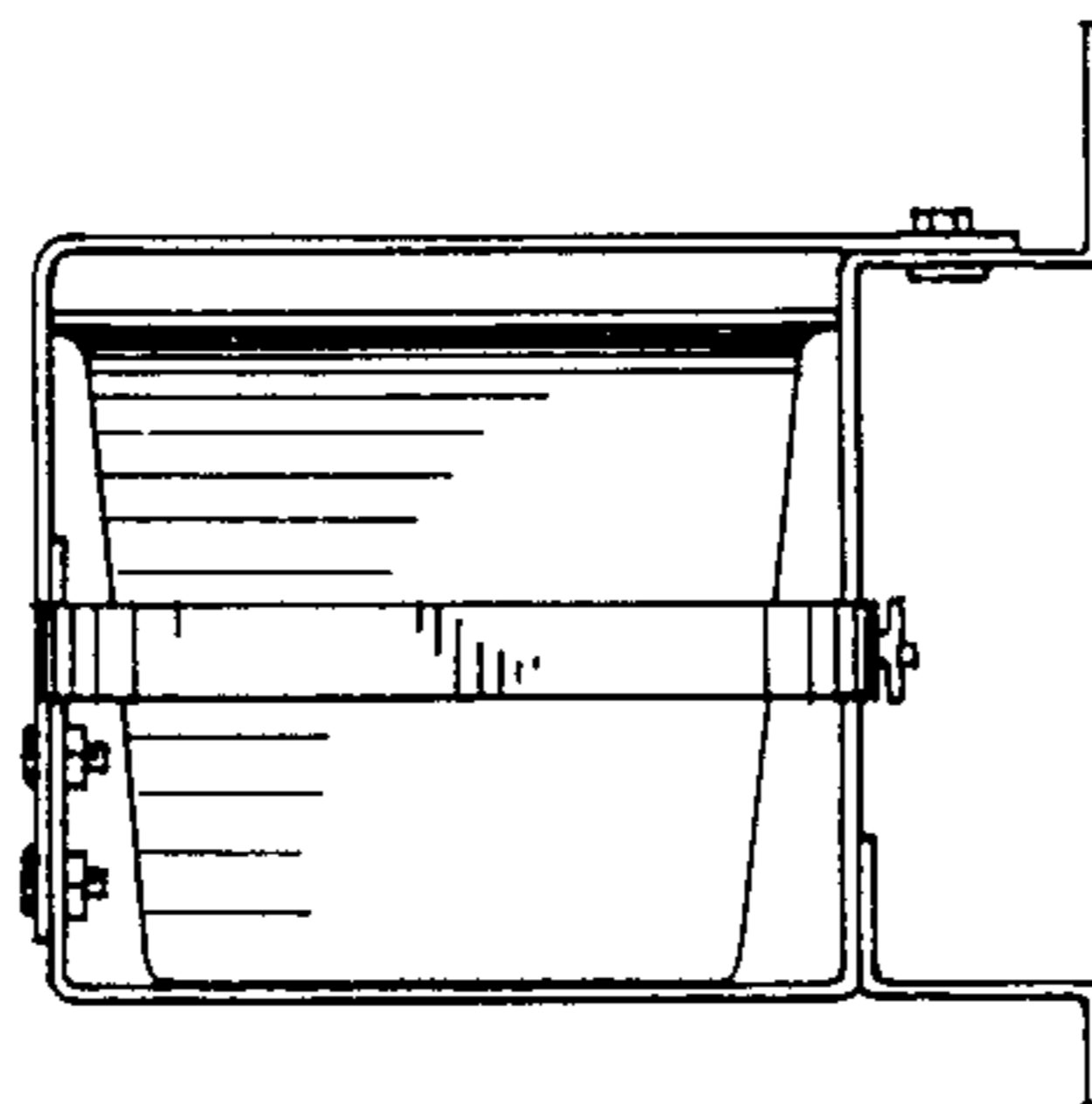


FIG. 3