

[54] SKATEBOARD

[76] Inventor: John R. Lukes, 17914 Gard Ave.,
Artesia, Calif. 90701

[**] Term: 14 Years

[21] Appl. No.: 915,199

[22] Filed: Jun. 8, 1978

[51] Int. Cl. D21-02

[52] U.S. Cl. D21/227; D21/137

[58] Field of Search D21/227, 226, 128, 134,
D21/136, 137, 140, 141, 76, 78; 280/87.04 R,
87.04 A, 87.04 B, 11.1 R, 11.19, 87.01, 87.05;
46/201, 210, 222

[56] References Cited

U.S. PATENT DOCUMENTS

D. 221,167	7/1971	Tauranac	D21/137
D. 226,813	5/1973	French	D21/78
3,671,055	6/1972	Aarup	D21/81

Primary Examiner—Charles A. Rademaker
Attorney, Agent, or Firm—Lewis B. Sternfels

[57] CLAIM

The ornamental design for a skateboard, as shown.

DESCRIPTION

FIG. 1 is a front perspective view of a skateboard showing my new design;

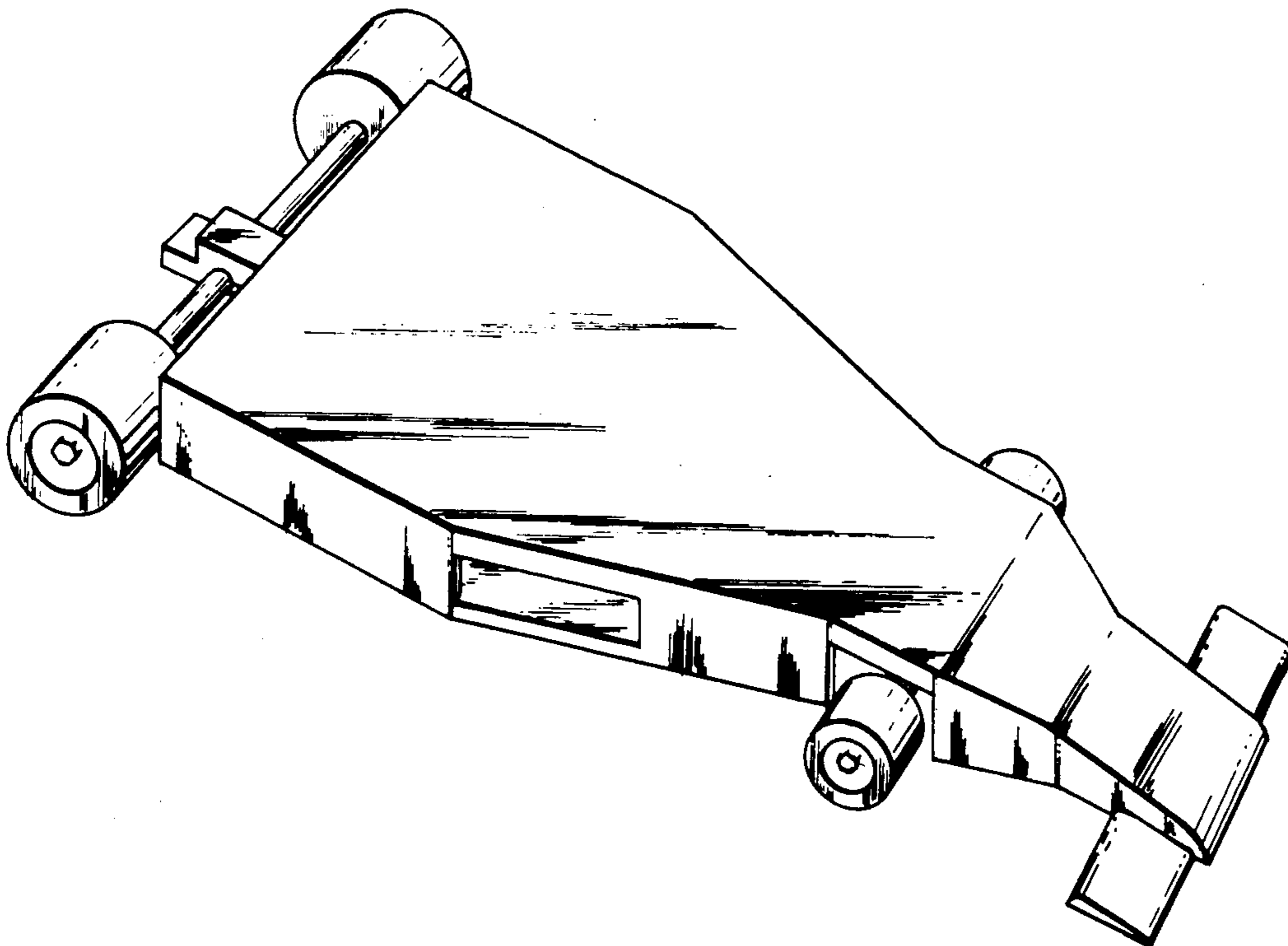
FIG. 2 is a rear elevational view thereof shown on an enlarged scale;

FIG. 3 is a front elevational view thereof;

FIG. 4 is a top plan view thereof;

FIG. 5 is a bottom plan view thereof; and

FIG. 6 is a right side elevational view thereof.



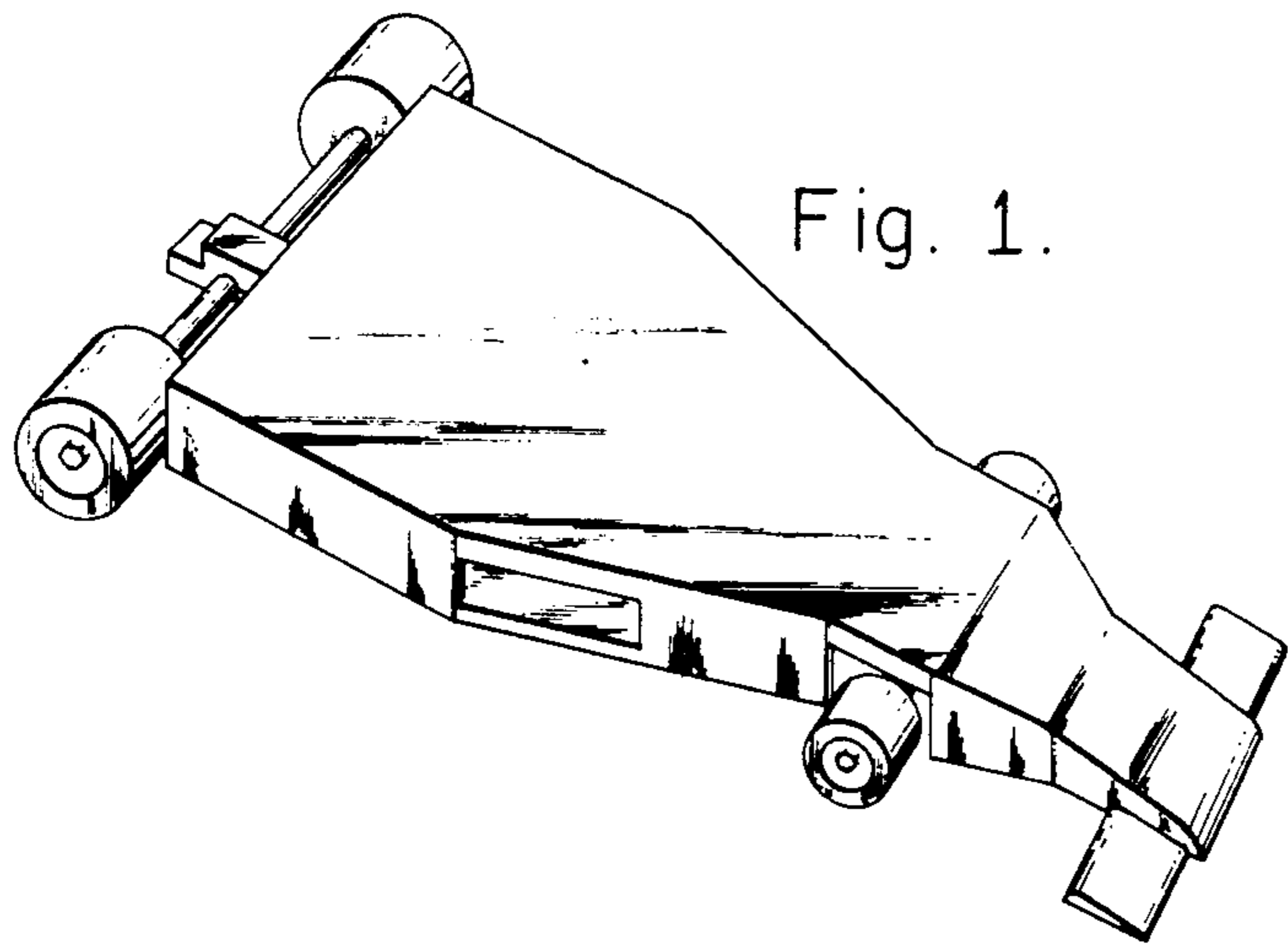


Fig. 2.

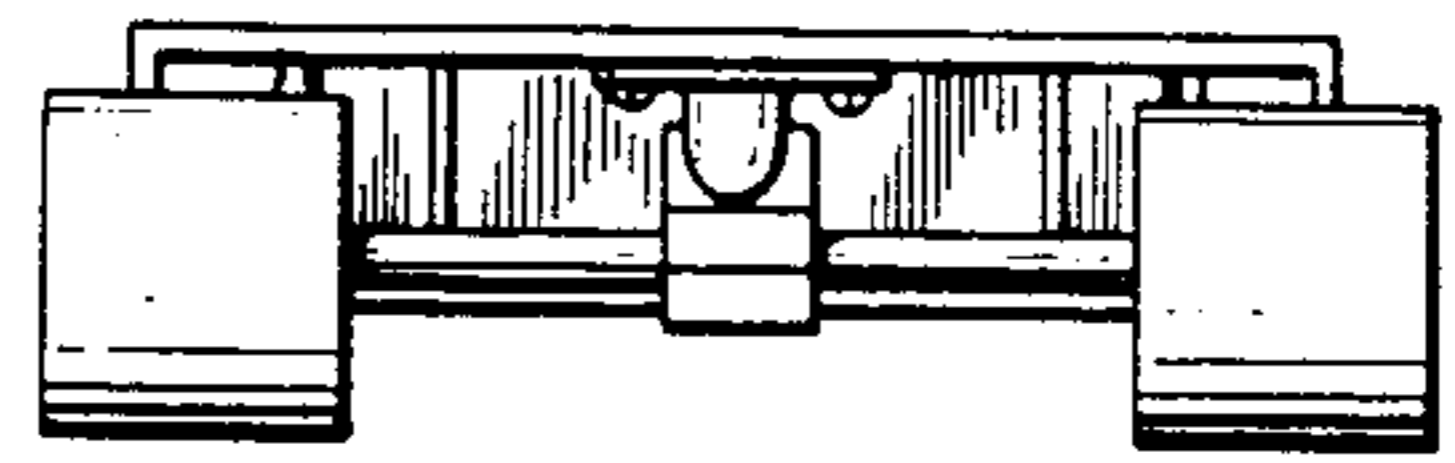


Fig. 3.

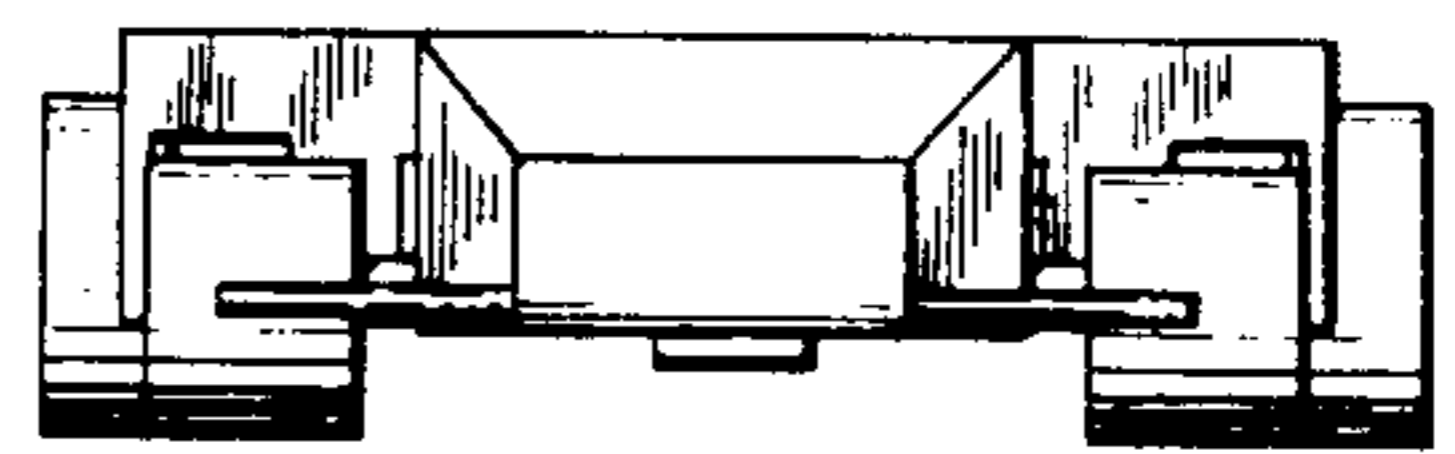


Fig. 4.

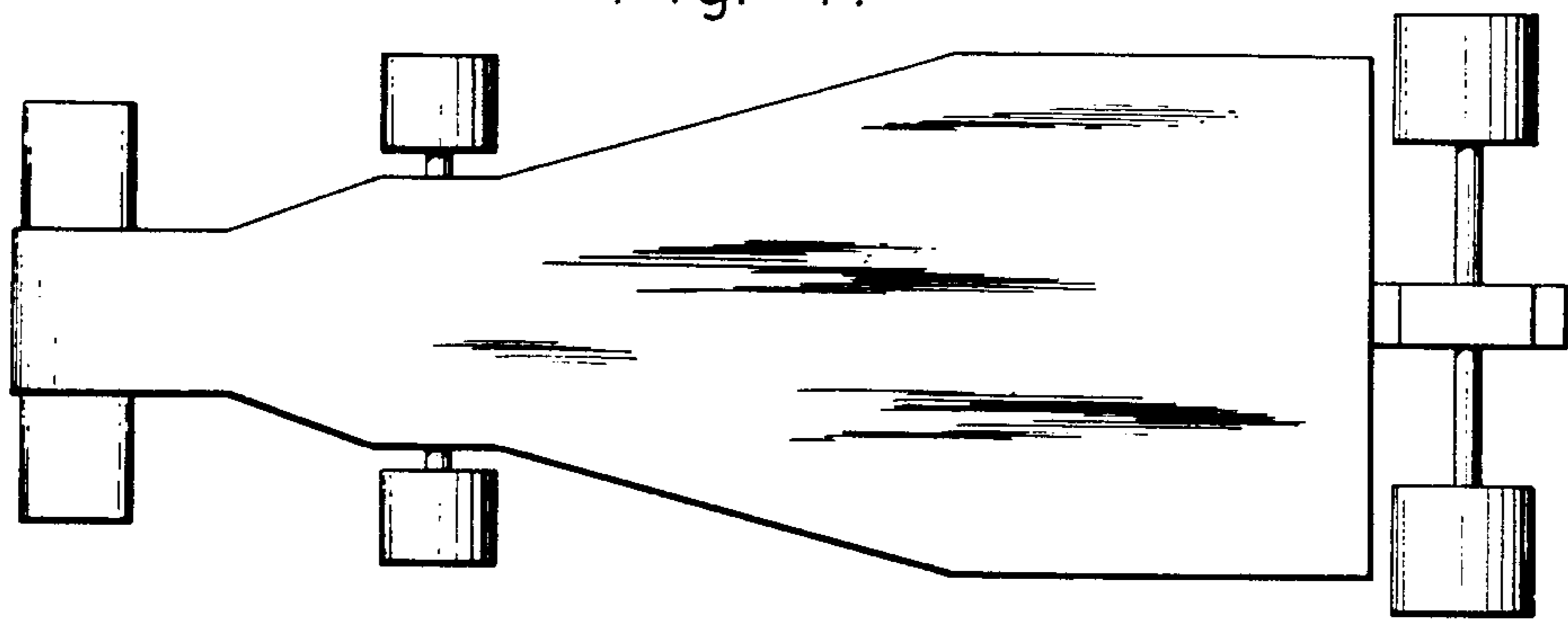


Fig. 5.

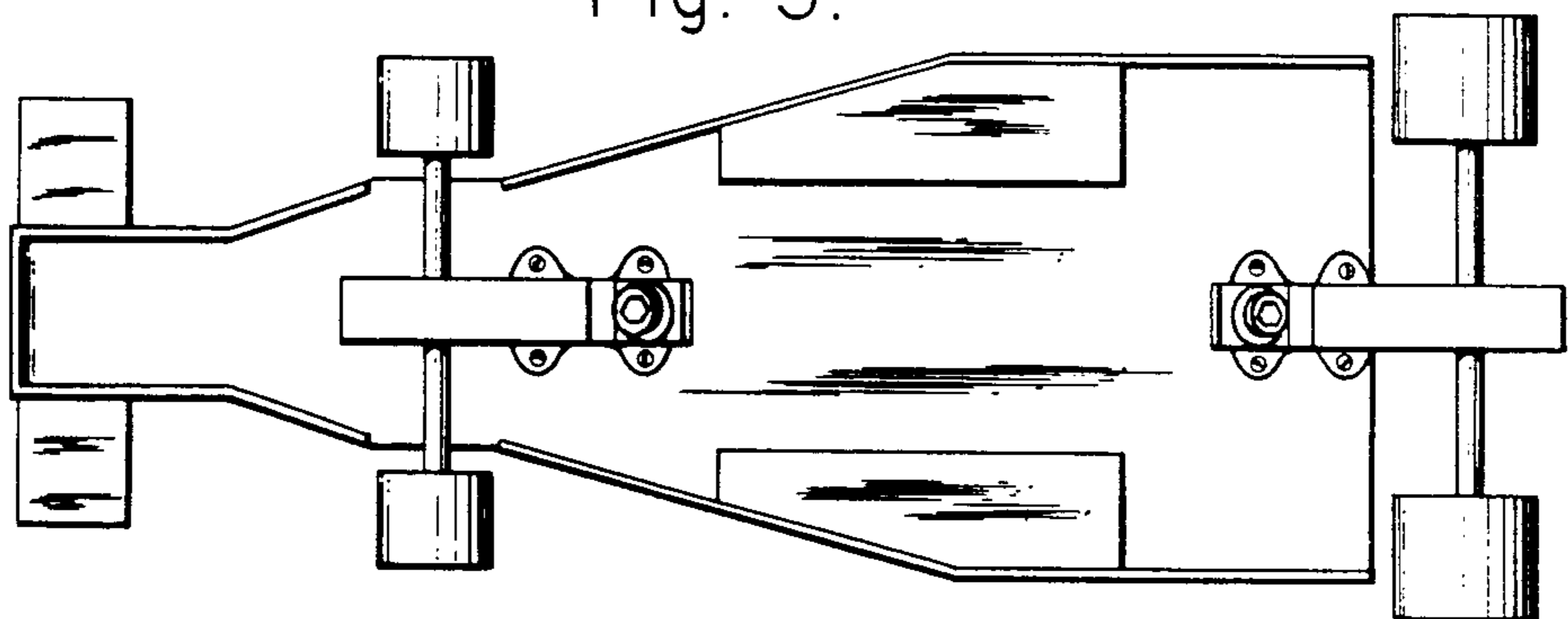


Fig. 6.

