

[54] TONE-ARM

[75] Inventor: Makoto Ikeda, Machida, Japan  
[73] Assignee: R & D Office Makoto Ltd., Machida, Japan

[\*\*] Term: 14 Years

[21] Appl. No.: 918,557

[22] Filed: Jun. 23, 1978

[30] Foreign Application Priority Data

Dec. 26, 1977 [JP] Japan ..... 52-51814

[51] Int. Cl. .... D14-01

[52] U.S. Cl. .... D14/27

[58] Field of Search ..... D14/27; 274/23 R, 23 A, 274/23 B

[56] References Cited

U.S. PATENT DOCUMENTS

D. 189,144 11/1960 Deschamps ..... D14/27

D. 227,596	7/1973	Bailey .....	D14/27
D.251,003	2/1979	Ohtomo .....	D14/27
D. 251,558	4/1979	Christie .....	D14/27
3,232,625	2/1966	Van Eps .....	274/23 R
3,254,897	6/1966	Holmes .....	274/23 R

Primary Examiner—Bernard Ansher  
Attorney, Agent, or Firm—Eric H. Waters

[57] CLAIM

The ornamental design for a tone-arm, substantially as is shown and described.

DESCRIPTION

FIG. 1 is a perspective view showing a tone-arm showing my new design;

FIG. 2 is a front view of FIG. 1;

FIG. 3 is a rear view of FIG. 1;

FIG. 4 is a left side view of FIG. 1;

FIG. 5 is a top plan view of FIG. 1; and

FIG. 6 is a bottom view of FIG. 1.

The broken lines are shown for illustrative purposes only.

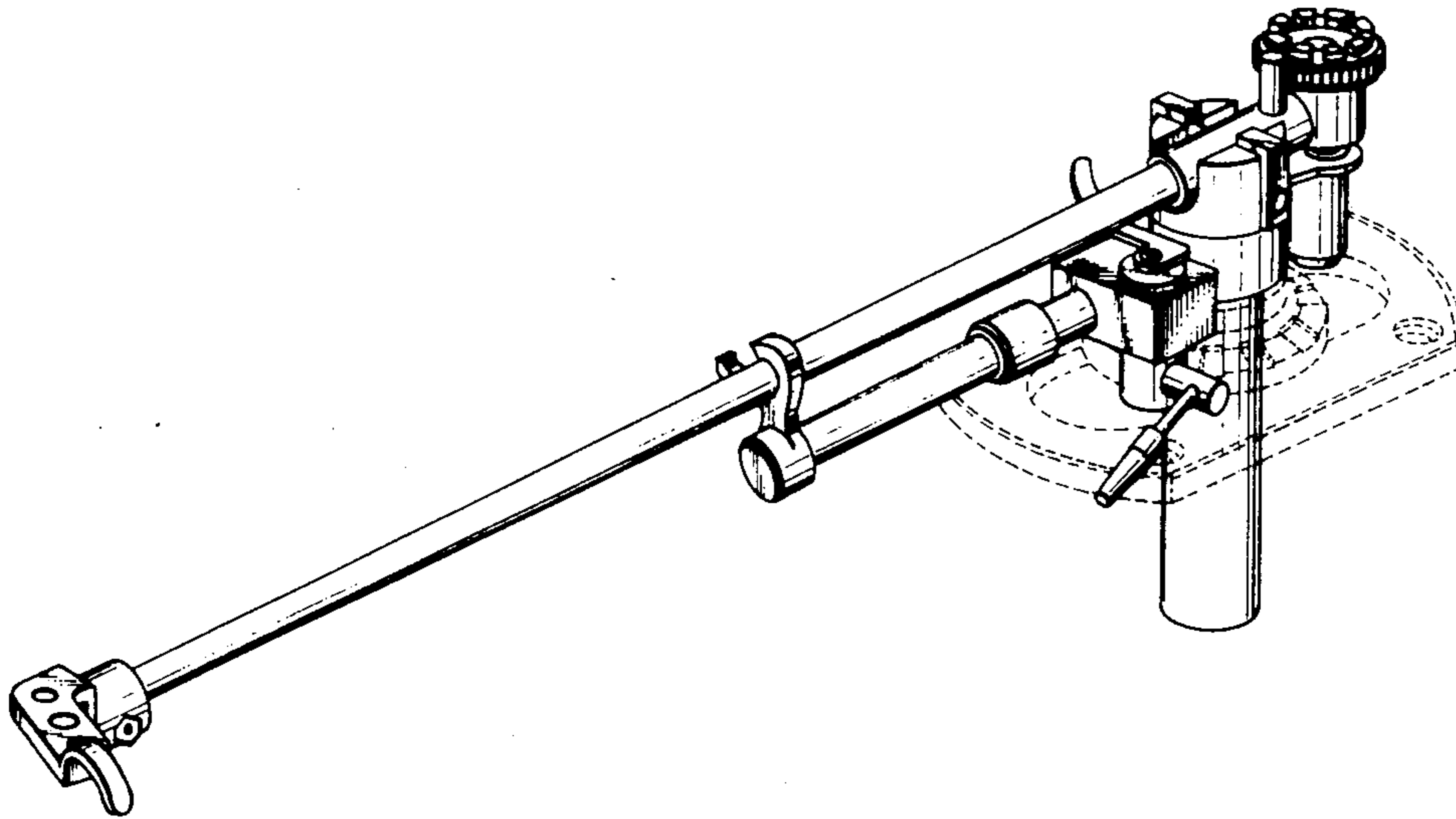


FIG. 1

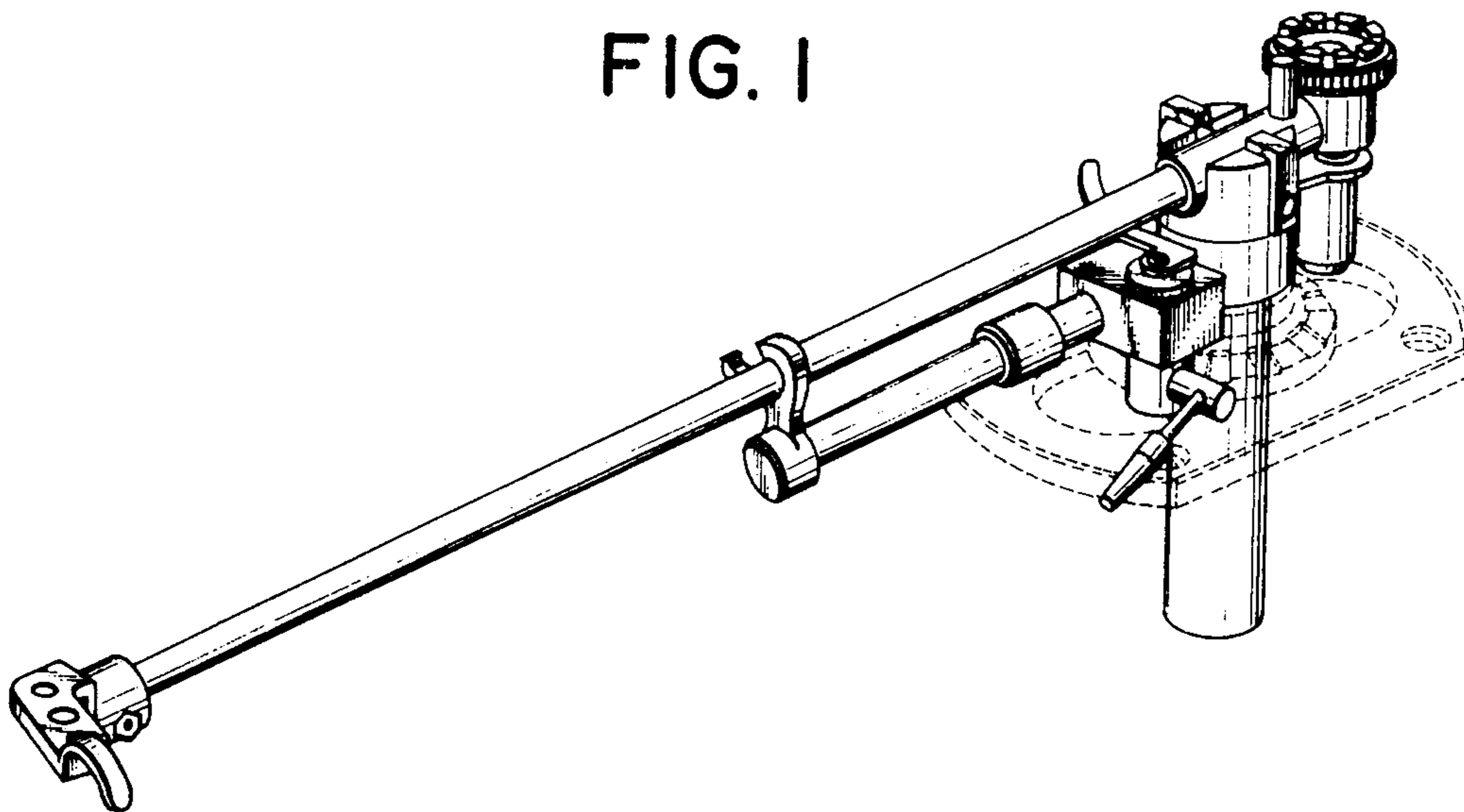


FIG. 3

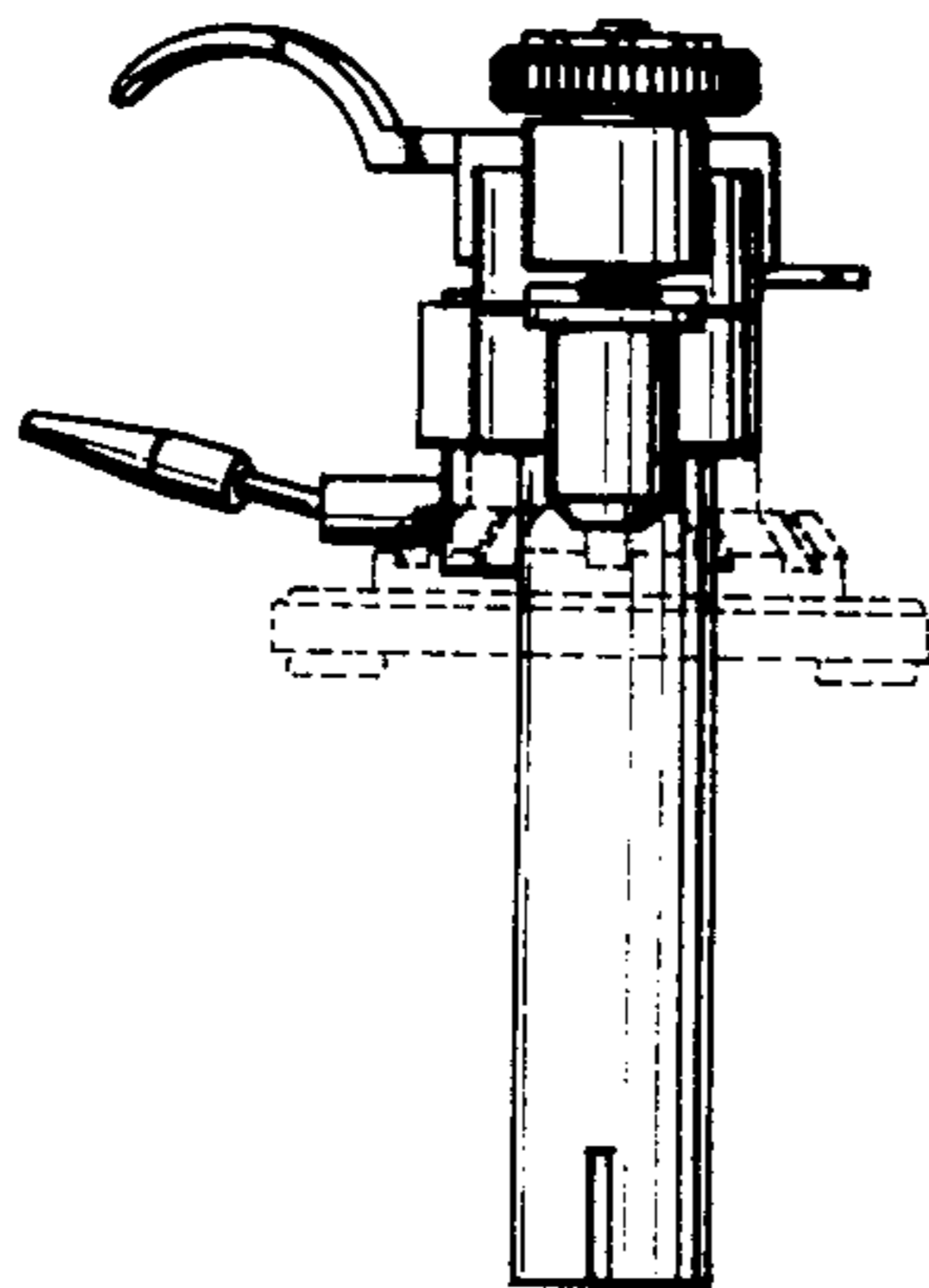


FIG. 2

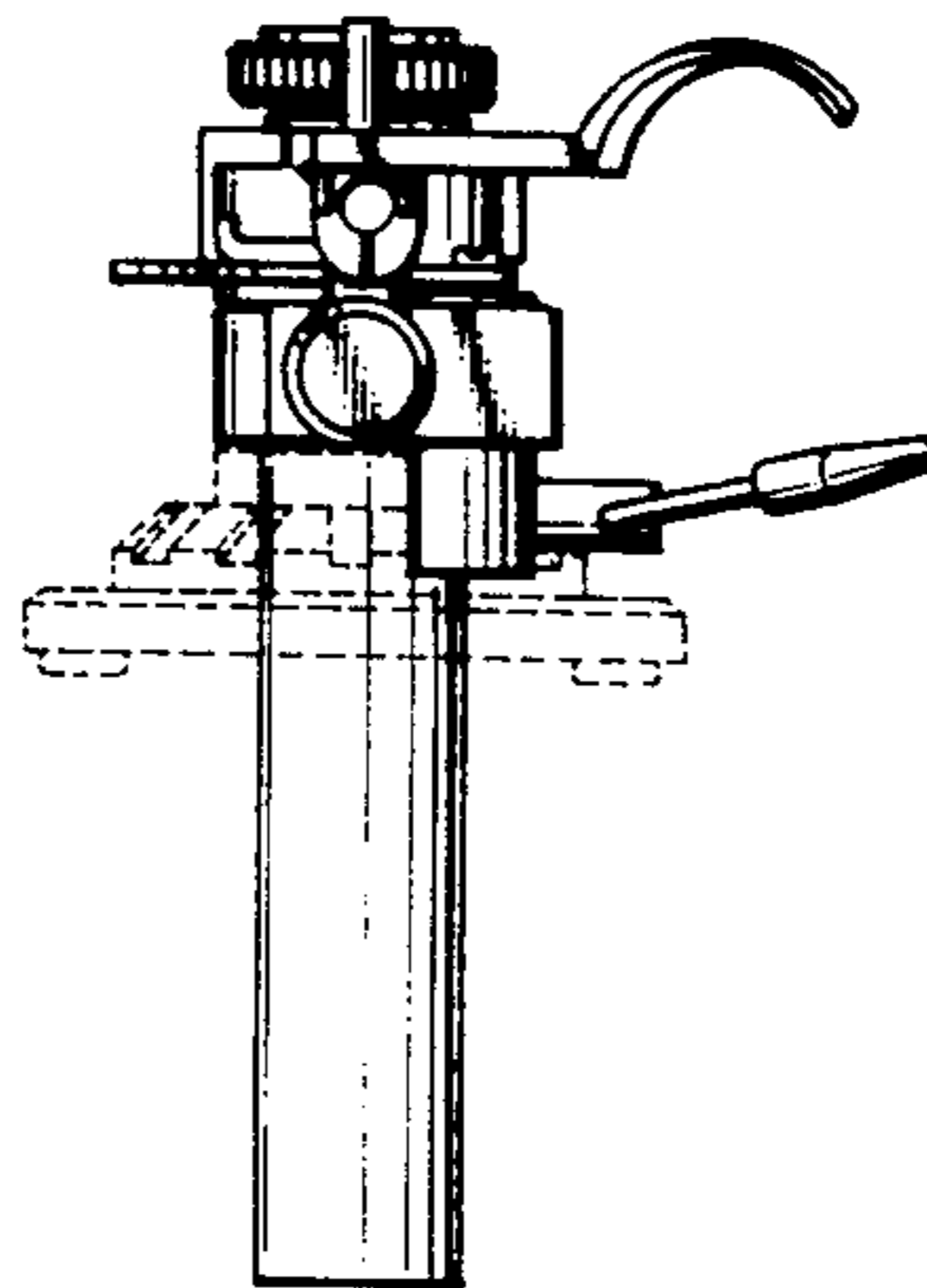


FIG. 4

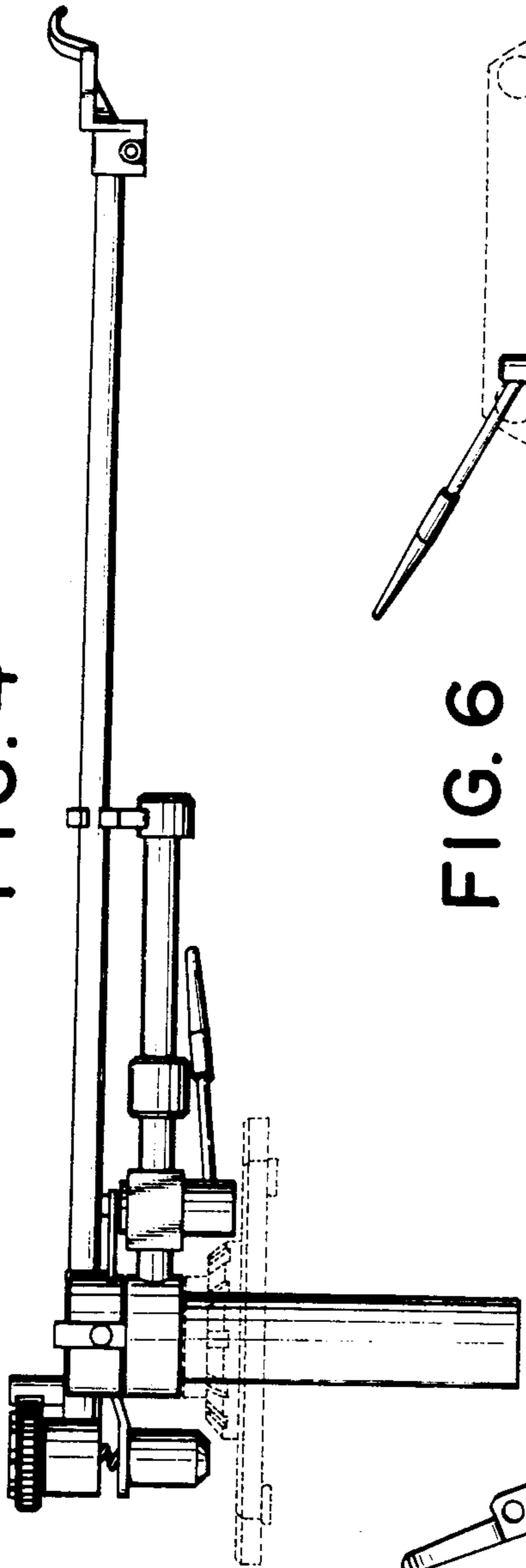


FIG. 6

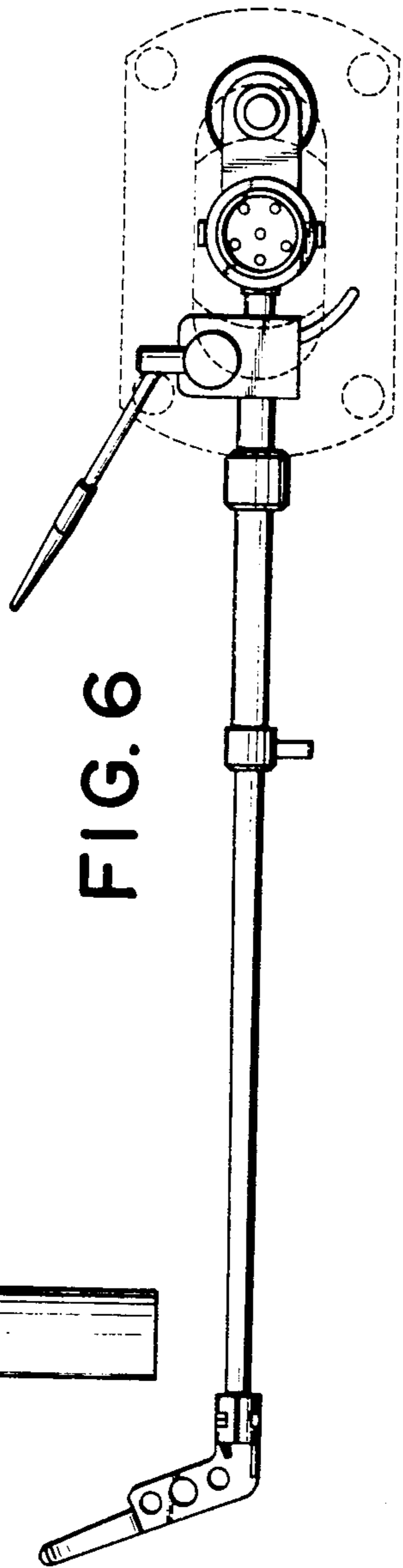


FIG. 5

