

[54] VEHICLE TOP

[75] Inventors: **Kim M. Hickman; Ralph C. Young,**
both of Colorado Springs, Colo.

[73] Assignee: **White Automotive Corporation,**
Colorado Springs, Colo.

[*] Notice: The portion of the term of this patent
subsequent to Nov. 21, 1992, has
been disclaimed.

[**] Term: **14 Years**

[21] Appl. No.: **915,404**

[22] Filed: **Jun. 14, 1978**

Related U.S. Application Data

[63] Continuation-in-part of Ser. No. 695,163, Jun. 11, 1976,
Pat. No. Des. 250,330.

[51] Int. Cl. **D12-16**

[52] U.S. Cl. **D12/156**

[58] Field of Search **D12/156, 91; D15/30;**
296/99, 100, 102, 107, 137 R

[56] **References Cited**

U.S. PATENT DOCUMENTS

D. 229,046	11/1973	Purcell et al.	D15/30
D. 236,528	8/1975	Rinaldi et al.	D15/30
D. 250,330	11/1978	Hickman et al.	D12/156

OTHER PUBLICATIONS

Tire Review, 2/76, p. 30, Vehicle Top on Jeep, top
right side of page.

1974 Jeep Catalog, p. 6, Vehicle Top on Jeep, top left
side of page.

Motor Trend, 3/76, p. 51, Vehicle Top on Jeep, top of
page.

Primary Examiner—James M. Gandy

Attorney, Agent, or Firm—Philip H. Sheridan

[57] **CLAIM**

The ornamental design for a vehicle top, as shown and
described.

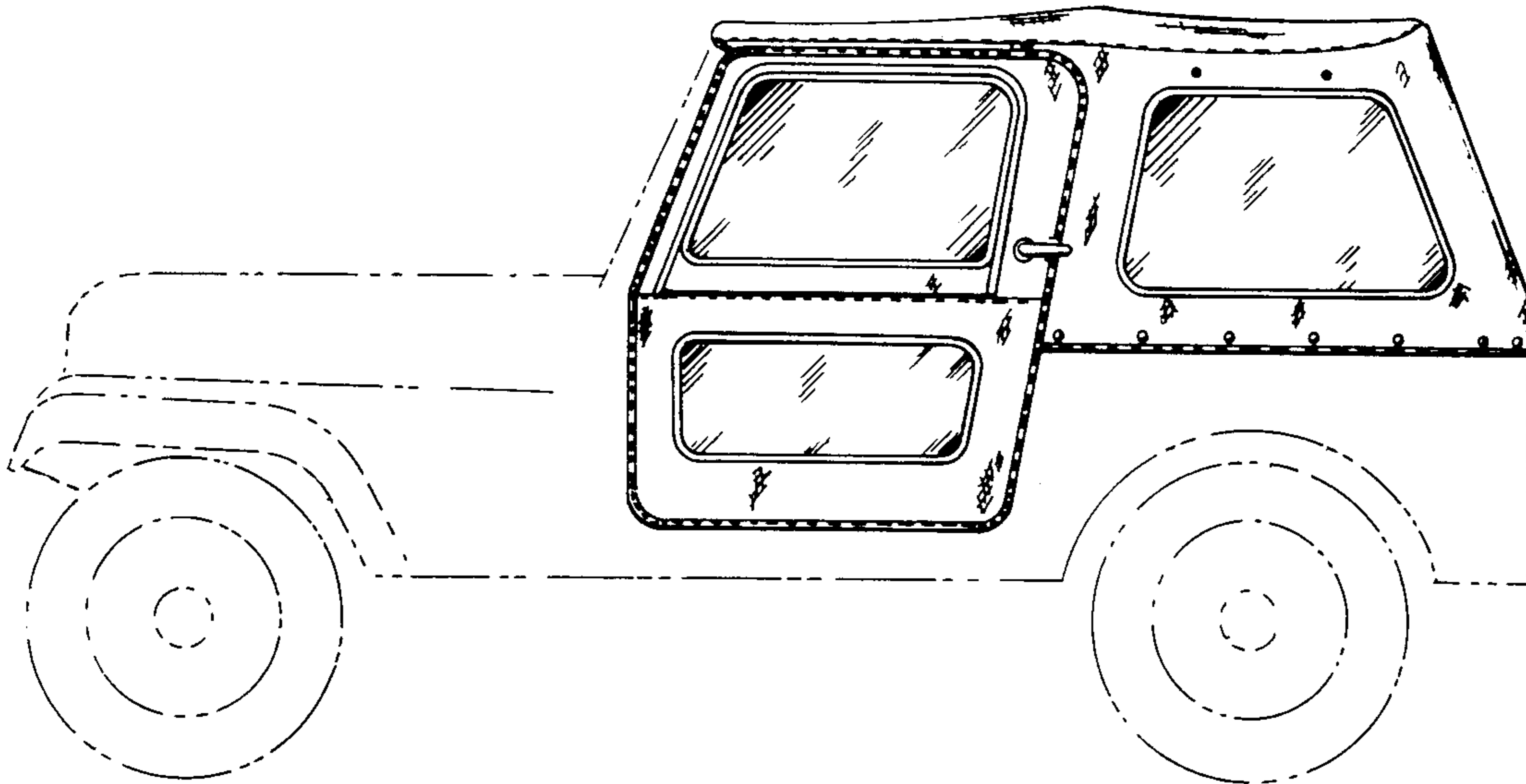
DESCRIPTION

FIG. 1 is a side elevational view of a vehicle top show-
ing our new design;

FIG. 2 is a rear elevational view thereof;

FIG. 3 is a front elevational view thereof; and

FIG. 4 is a top plan view thereof.



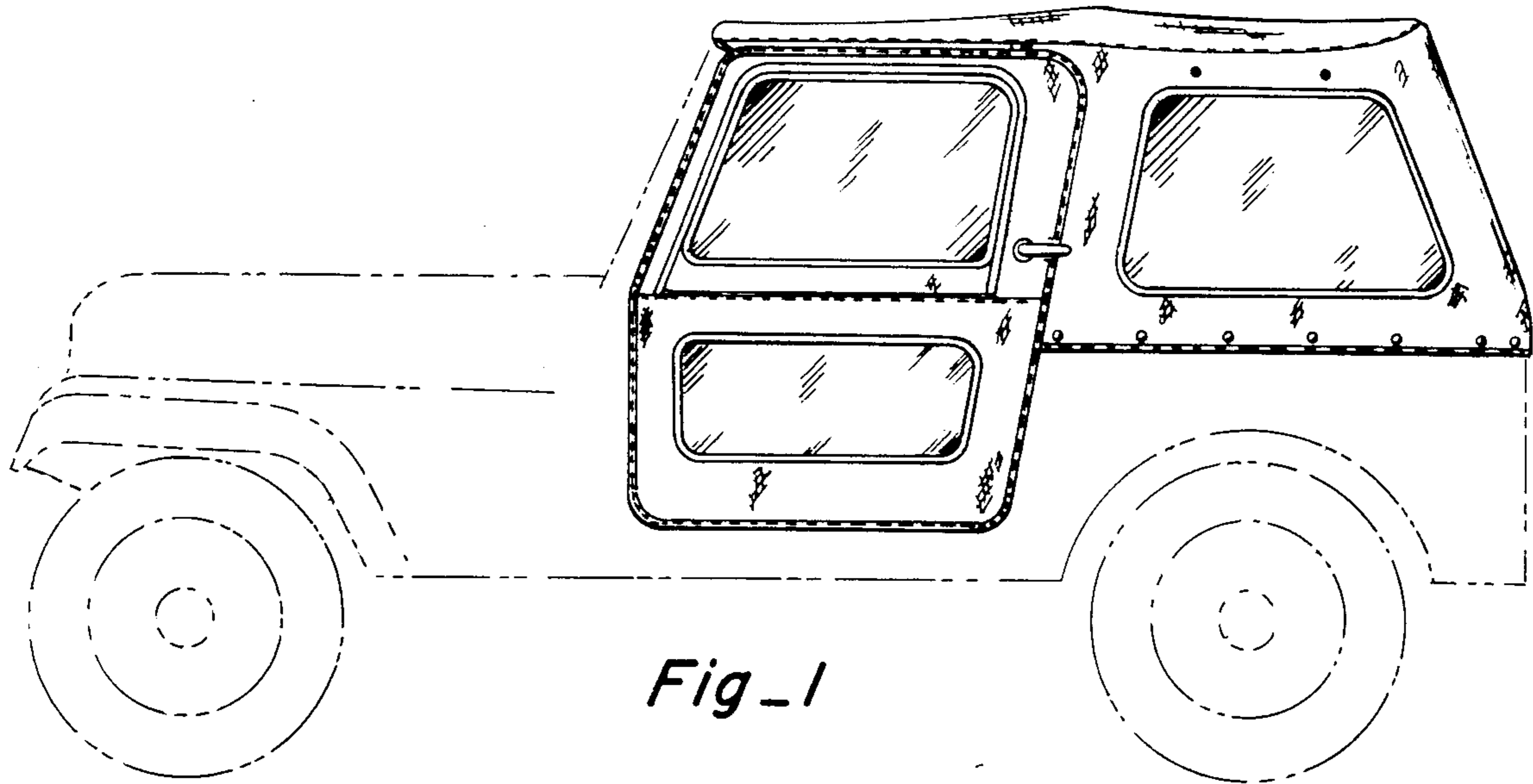


Fig-1

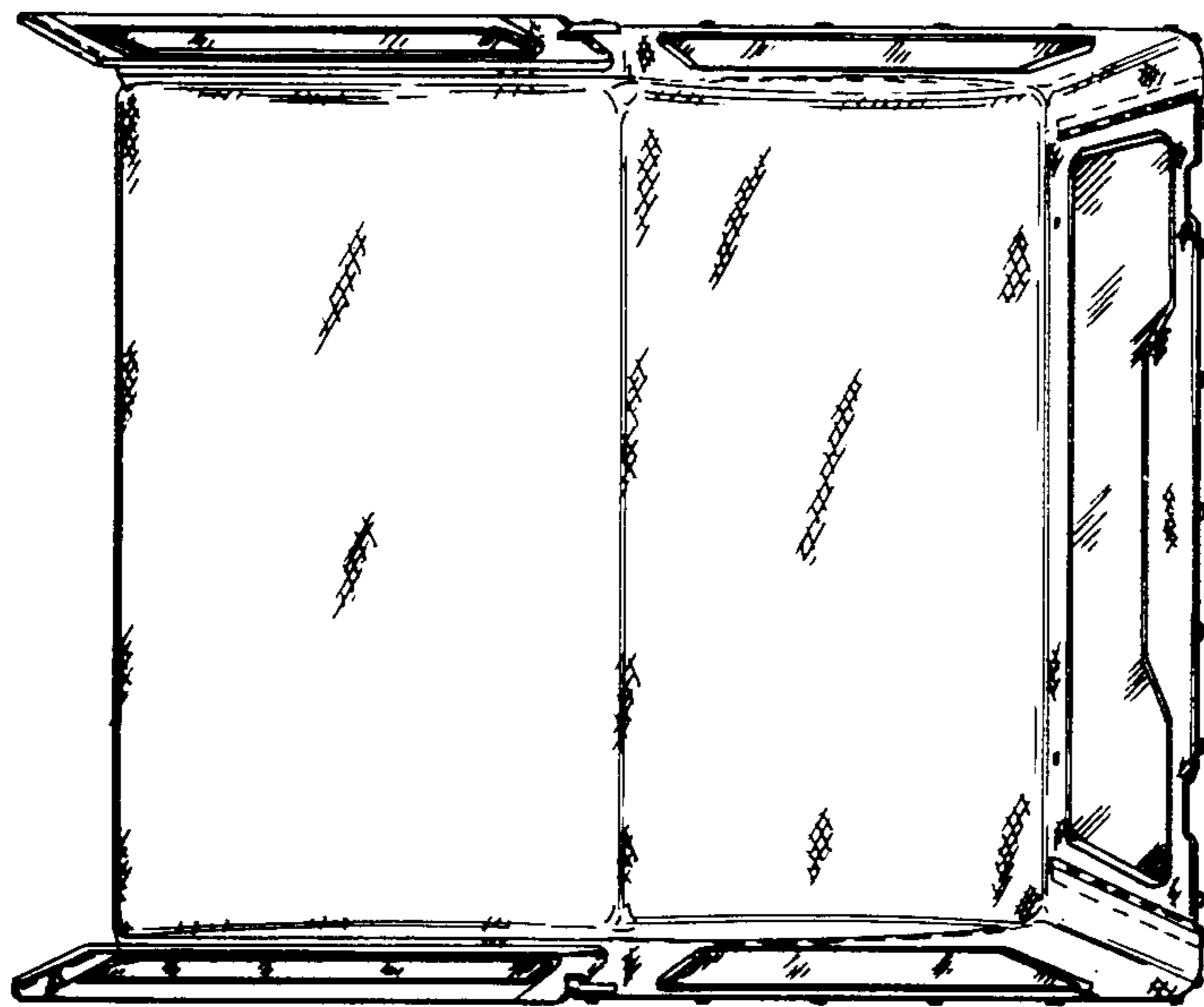


Fig-4

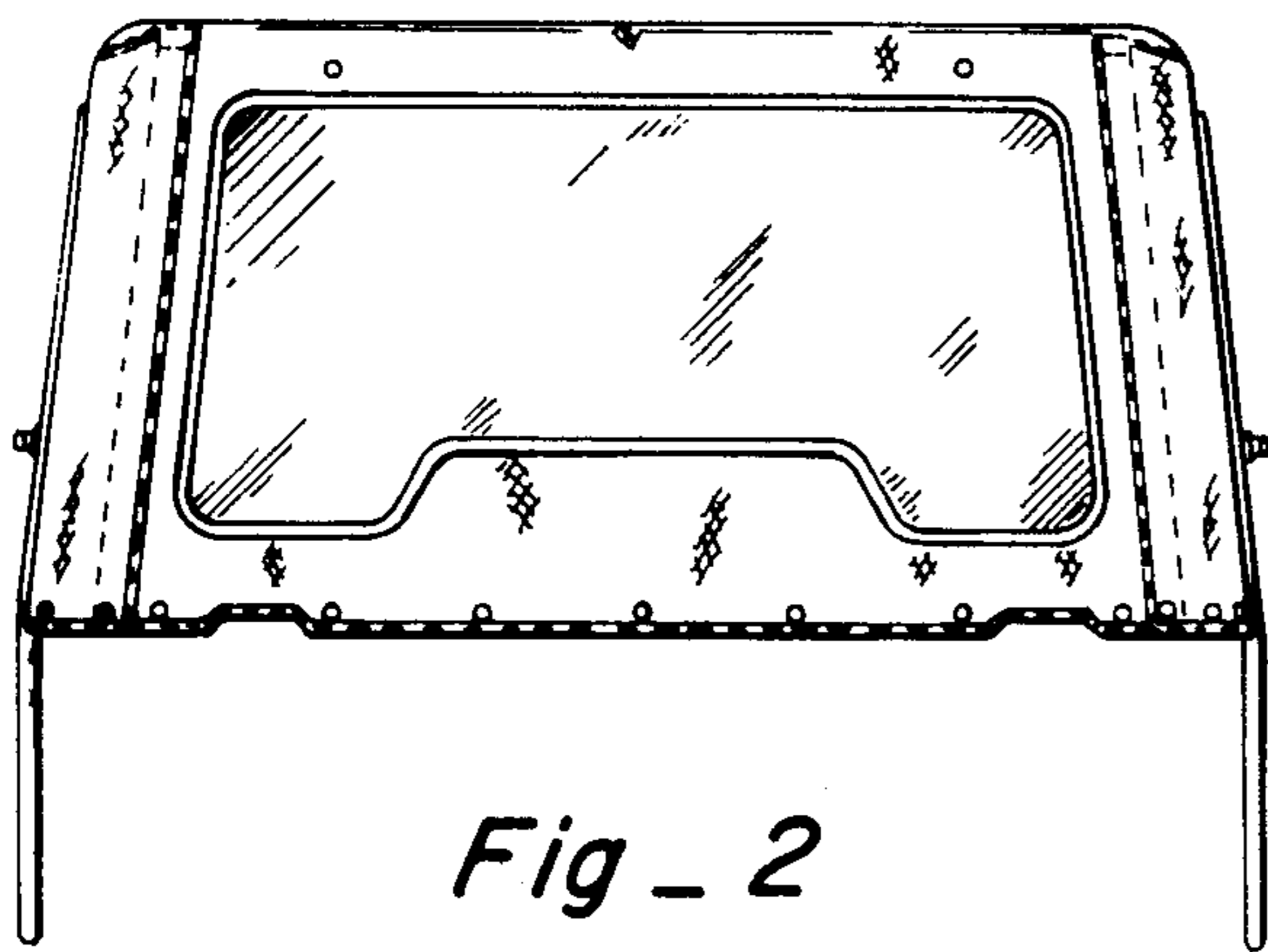


Fig-2

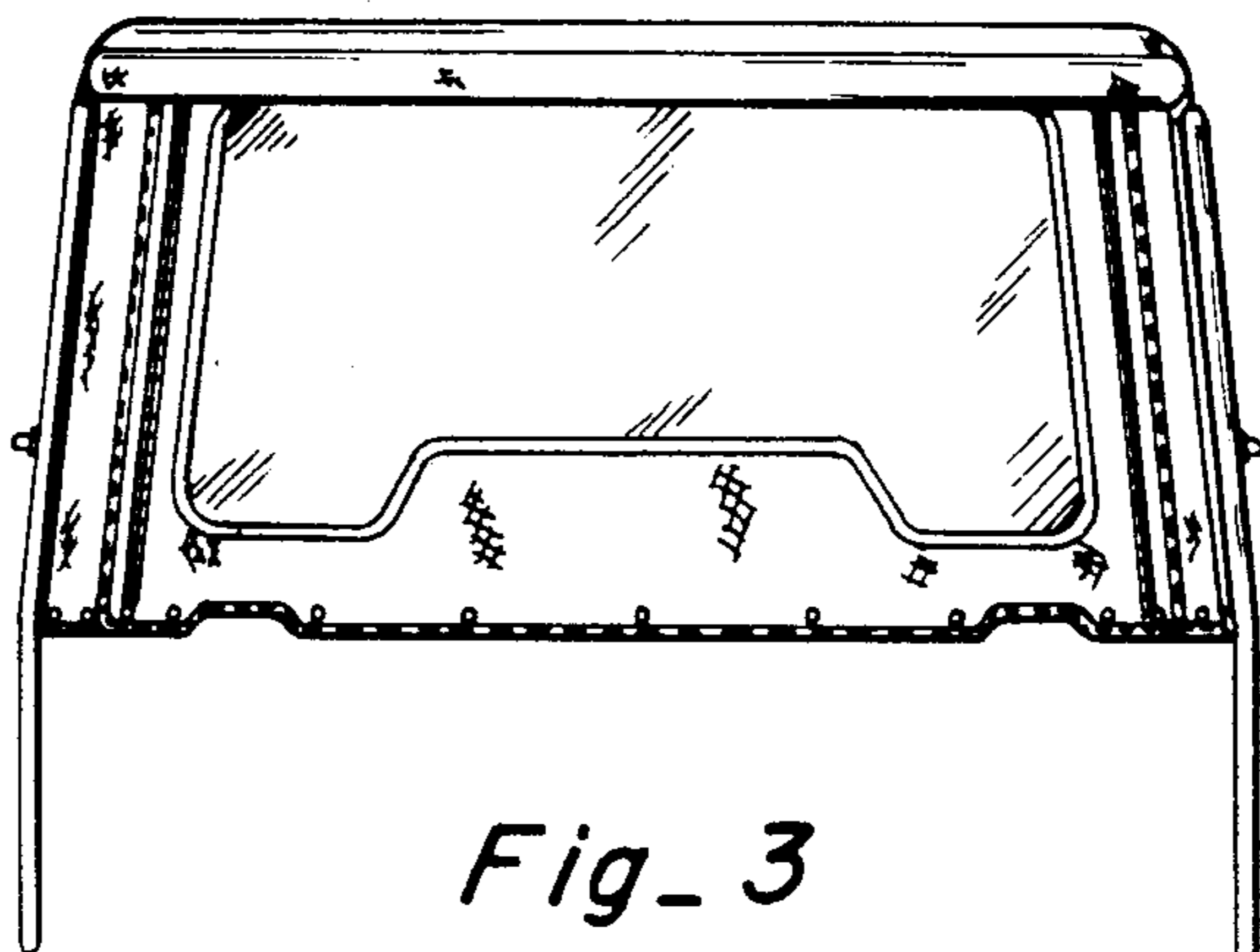


Fig-3