

[54] CONTAINER BIN

[75] Inventor: Richard S. Cherry, Don Mills, Canada

[73] Assignee: Phillips-Parkway Corporation, Toronto, Canada

[**] Term: 14 Years

[21] Appl. No.: 940,111

[22] Filed: Sep. 6, 1978

[30] Foreign Application Priority Data
Jul. 20, 1978 [CA] Canada 2007784

[51] Int. Cl. D9-03
[52] U.S. Cl. D9/431; D3/78; D99/44

[58] Field of Search D3/30, 74, 78; D9/232, D9/246, 219; 206/508, 509, 511

[56] References Cited

U.S. PATENT DOCUMENTS

D. 193,909	10/1962	Bloch	D3/78
3,338,469	8/1967	Wilson	206/508
3,463,345	8/1969	Brockensette	206/508
4,161,261	7/1979	Fraye	206/508

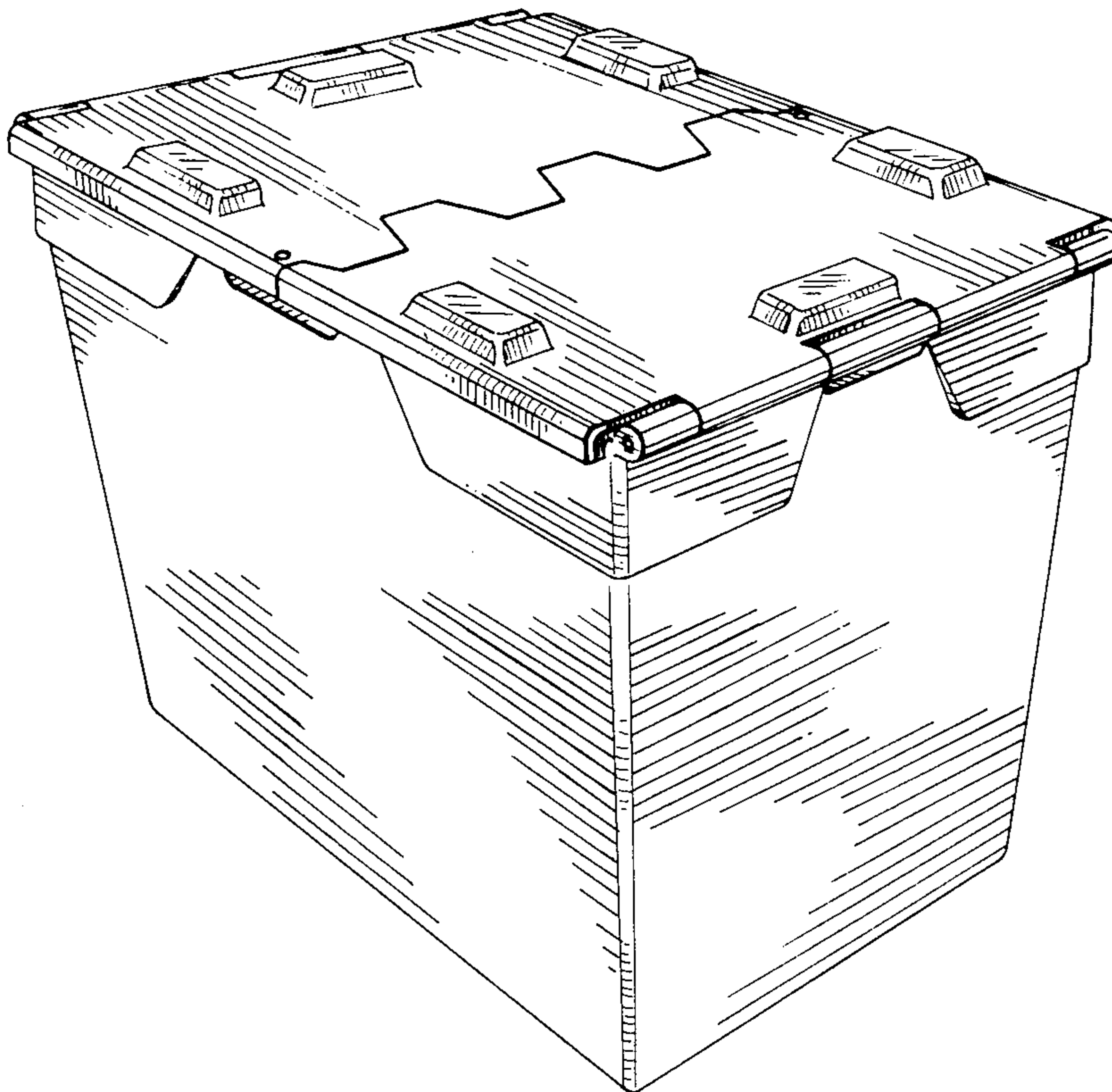
Primary Examiner—Joel Stearman
Assistant Examiner—George P. Word
Attorney, Agent, or Firm—Lewis E. Hanley

[57] CLAIM

The ornamental design for a container bin, as shown.

DESCRIPTION

FIG. 1 is a perspective view of a container bin showing my new design; and
FIG. 2 is a bottom rear perspective view thereof.



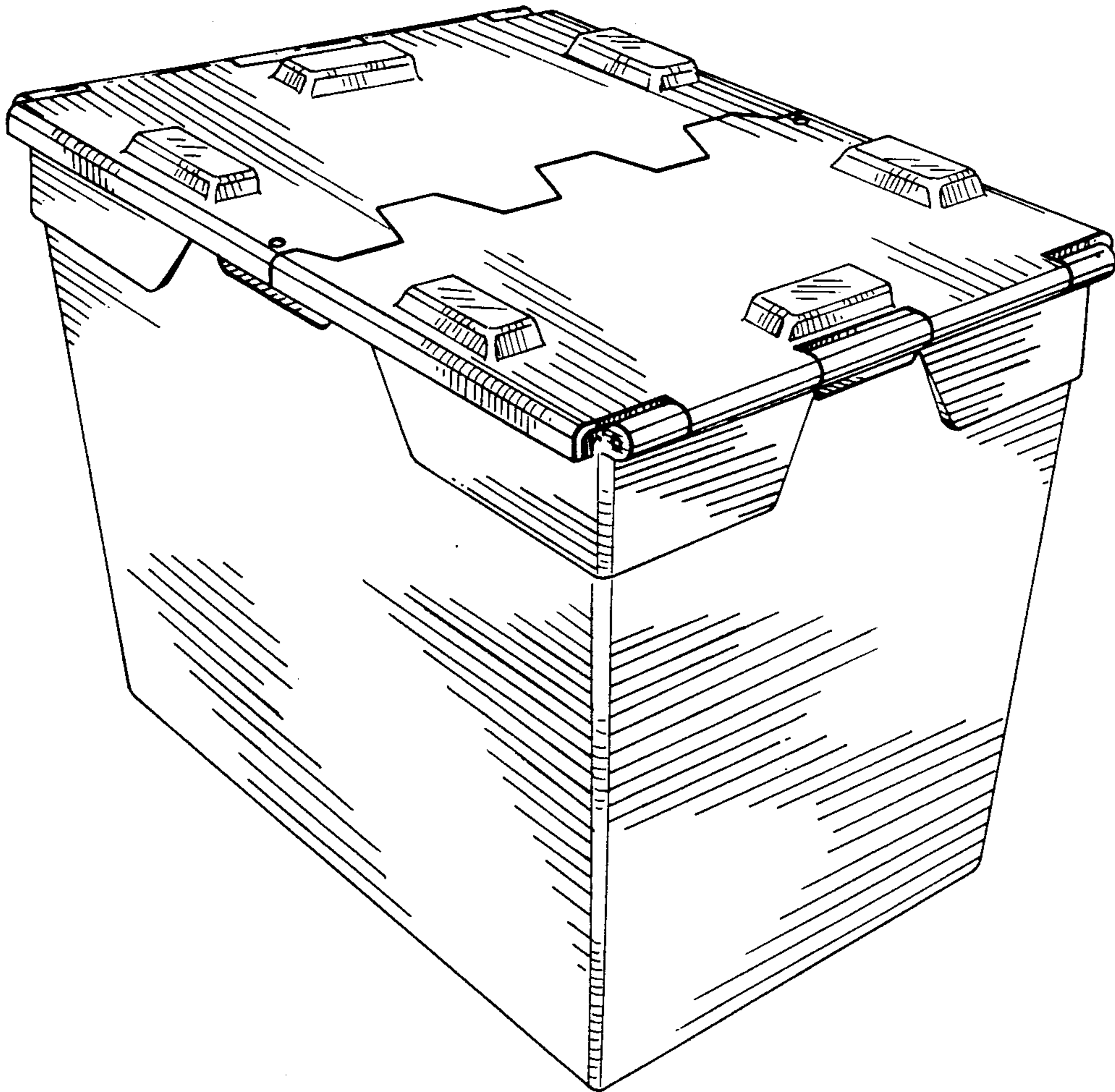


FIG. 1

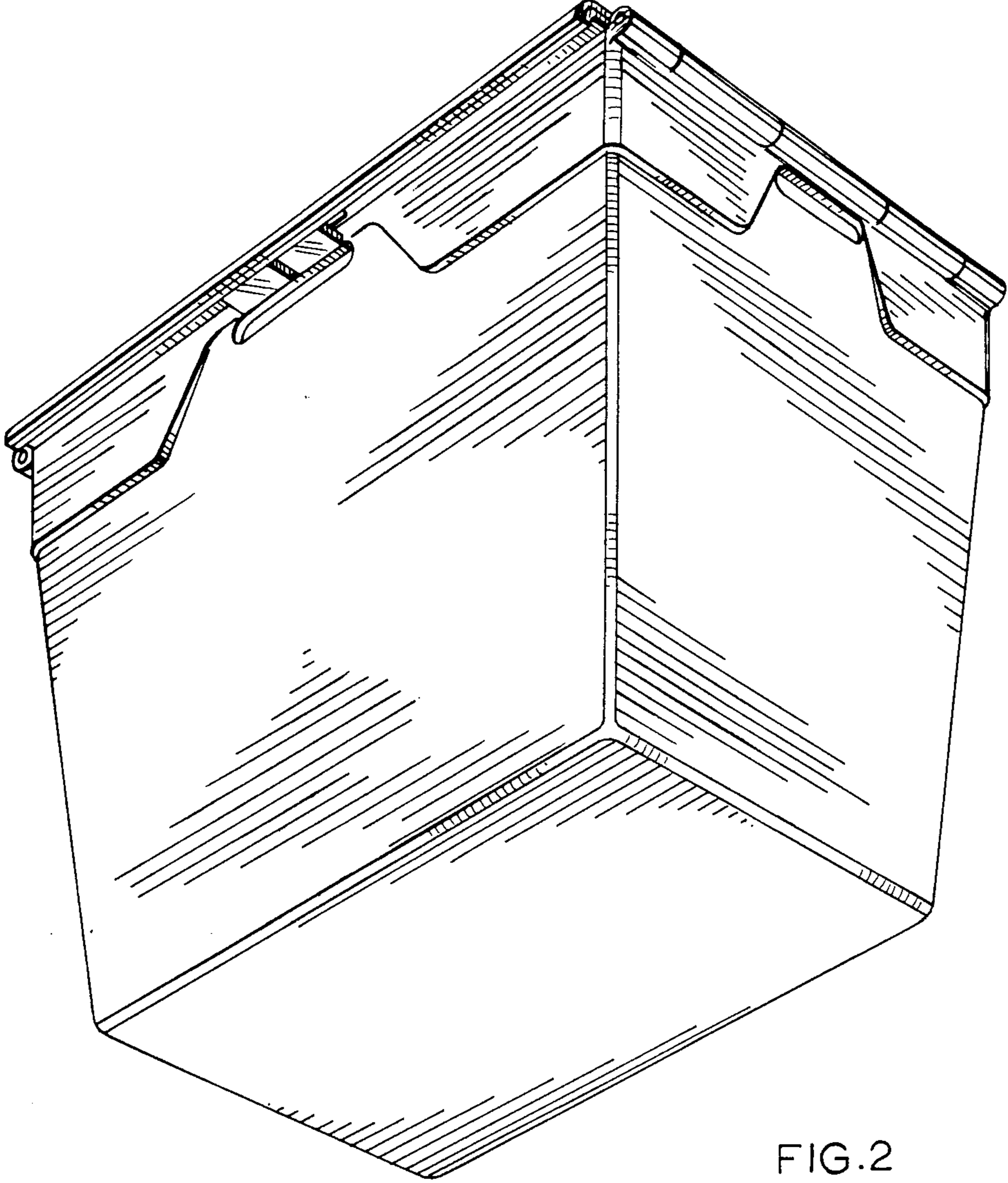


FIG.2