

[54] SAW CHAIN SHARPENING ASSEMBLY

[56]

References Cited

U.S. PATENT DOCUMENTS

[75] Inventor: Frank J. Aksamit, West. Hartford, Conn.

2,568,062	9/1951	Fitch	76/25 A
2,643,553	6/1953	Evanoff	76/37
2,677,289	5/1954	Fitch	76/25 A
2,701,975	2/1955	Evanoff	76/37
3,091,136	5/1963	Maier	76/36
3,942,255	3/1976	Bakoledis	D8/91

[73] Assignee: Pro Sharp Corporation

Primary Examiner—W. Stallard
Attorney, Agent, or Firm—John M. Prutzman

[**] Term: 14 Years

[57] CLAIM

[21] Appl. No.: 867,627

The ornamental design of a saw chain sharpening assembly, as shown and described.

[22] Filed: Jan. 6, 1978

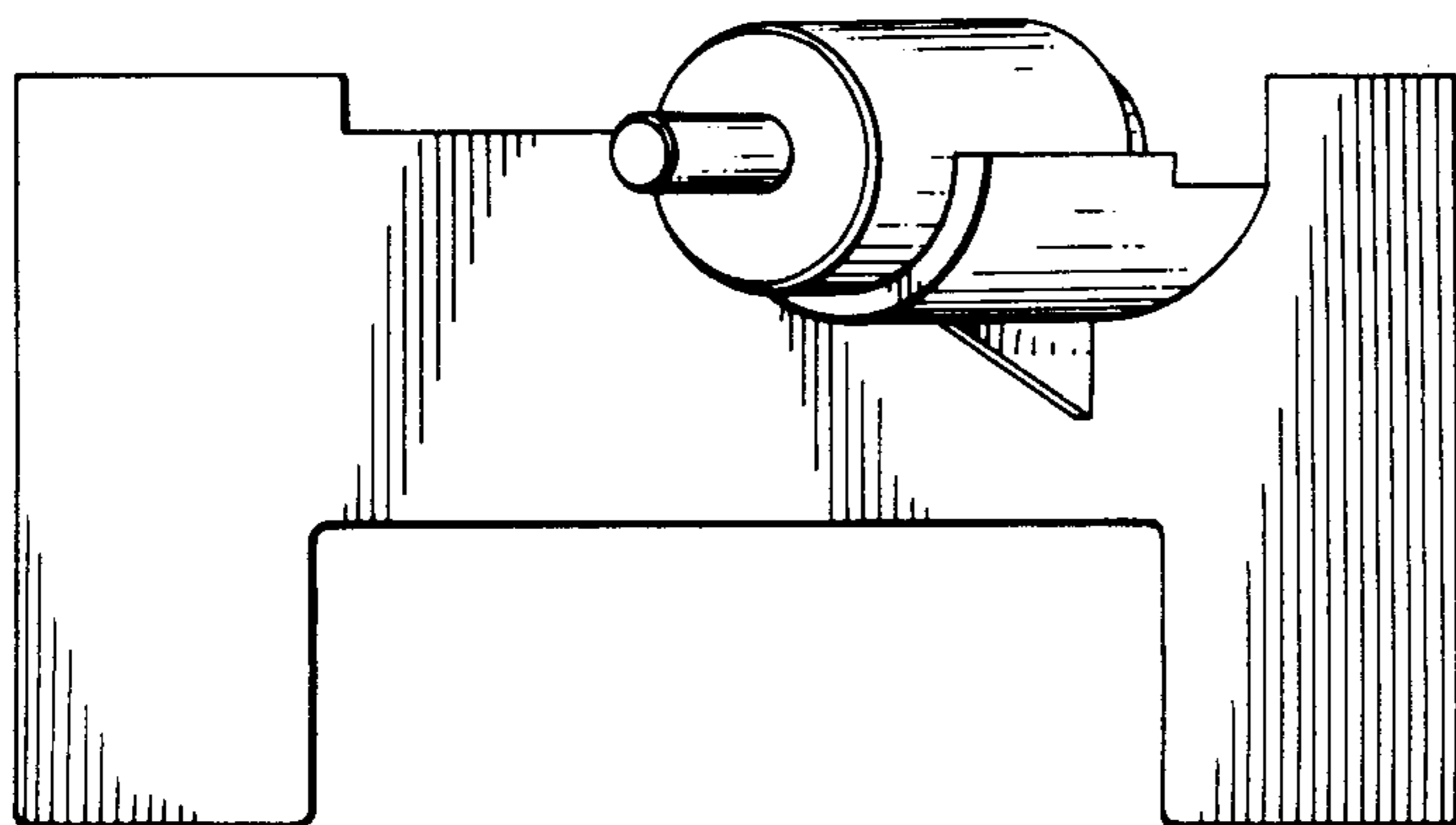
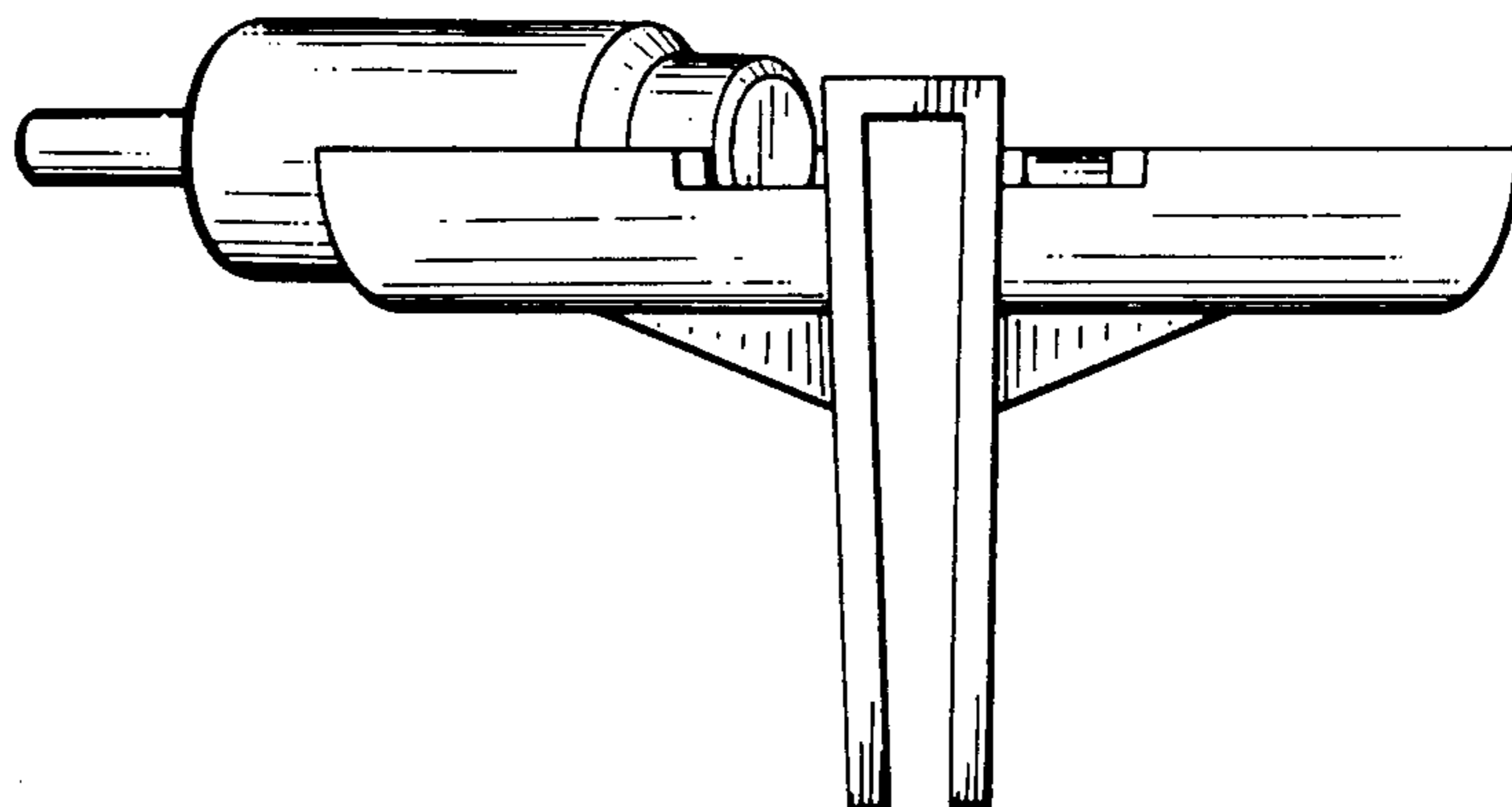
DESCRIPTION

[51] Int. Cl. D08—05

FIG. 1 is a top plan view of a saw chain sharpening assembly showing my new design; FIG. 2 is a rear elevational view thereof; FIG. 3 is a side elevational view thereof; FIG. 4 is a bottom plan view thereof; and FIG. 5 is a front elevational view thereof.

[52] U.S. Cl. D8/71; D8/91; D15/126; 76/25 A; 76/36; 76/37

[58] Field of Search D8/91, 71; 76/25 A, 76/36, 37; D15/126



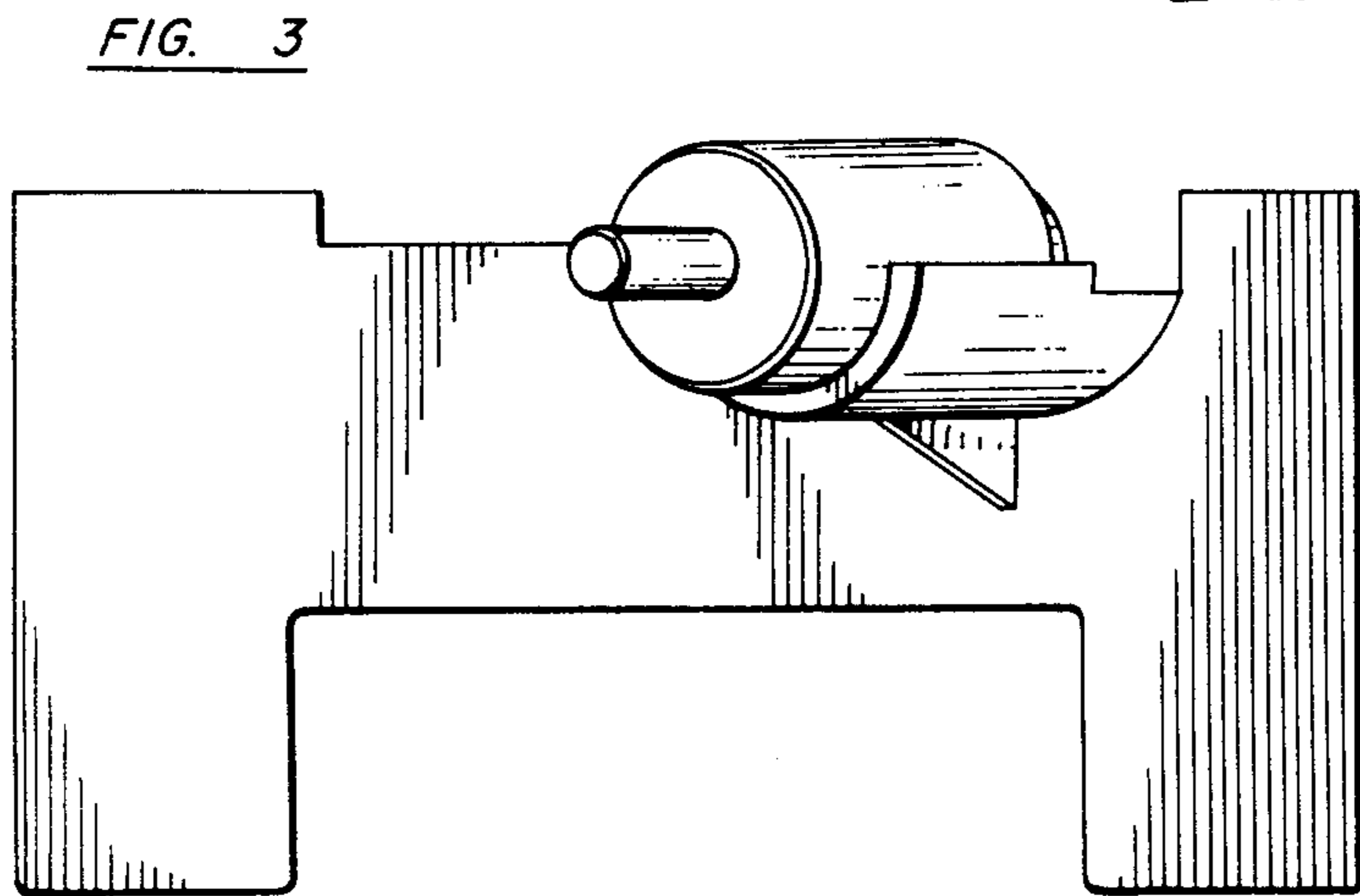
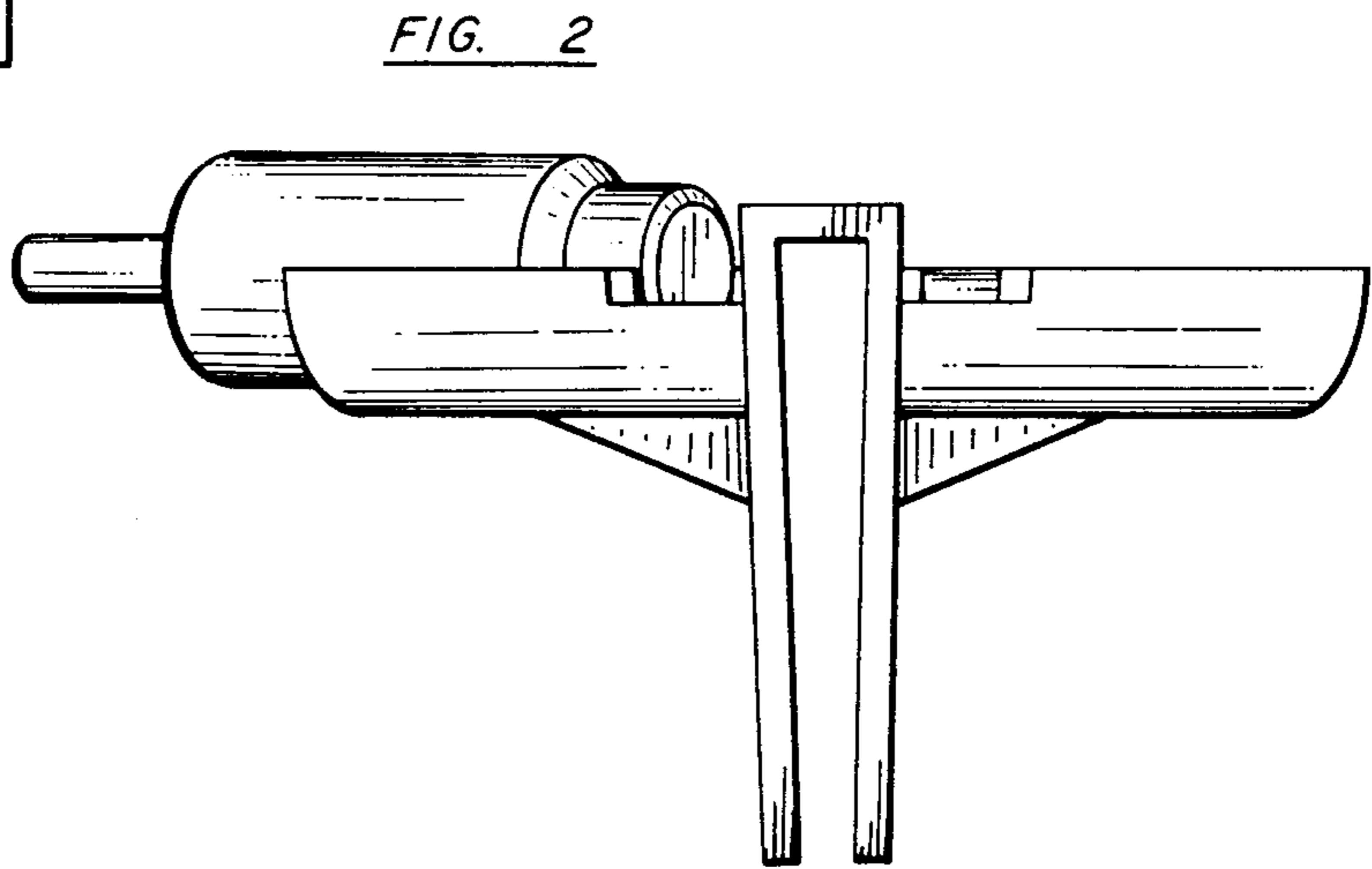
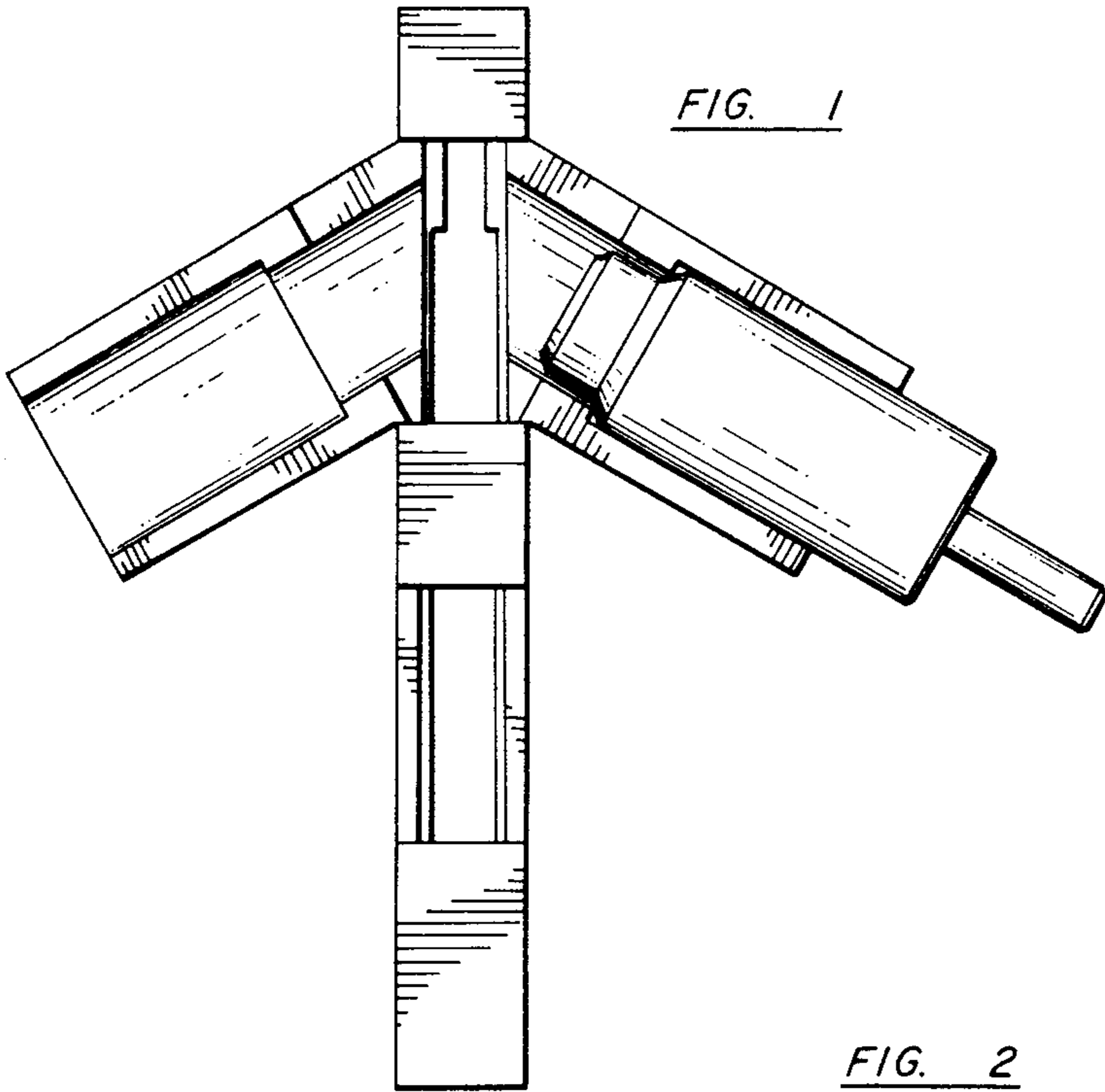


FIG. 4

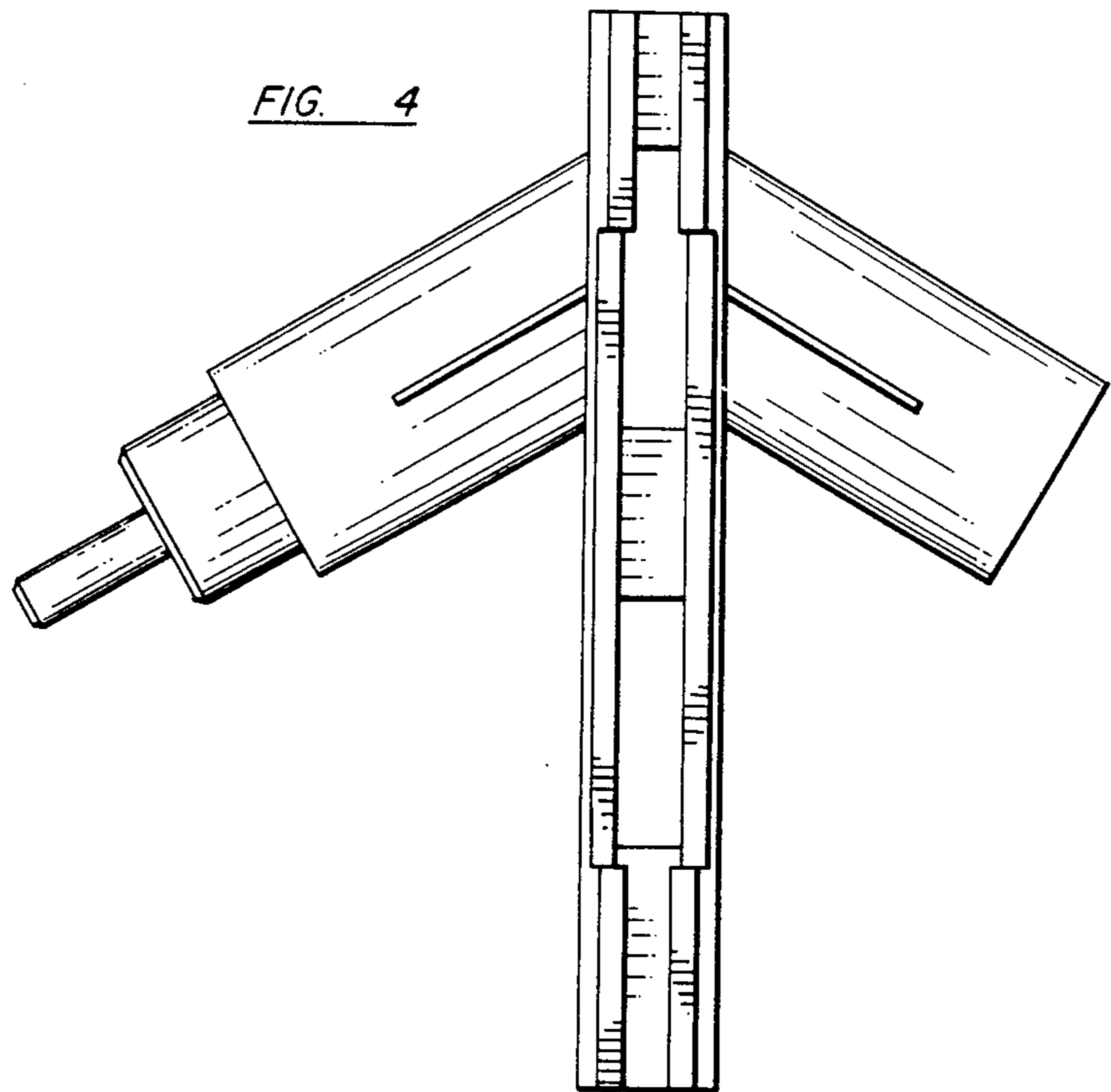


FIG. 5

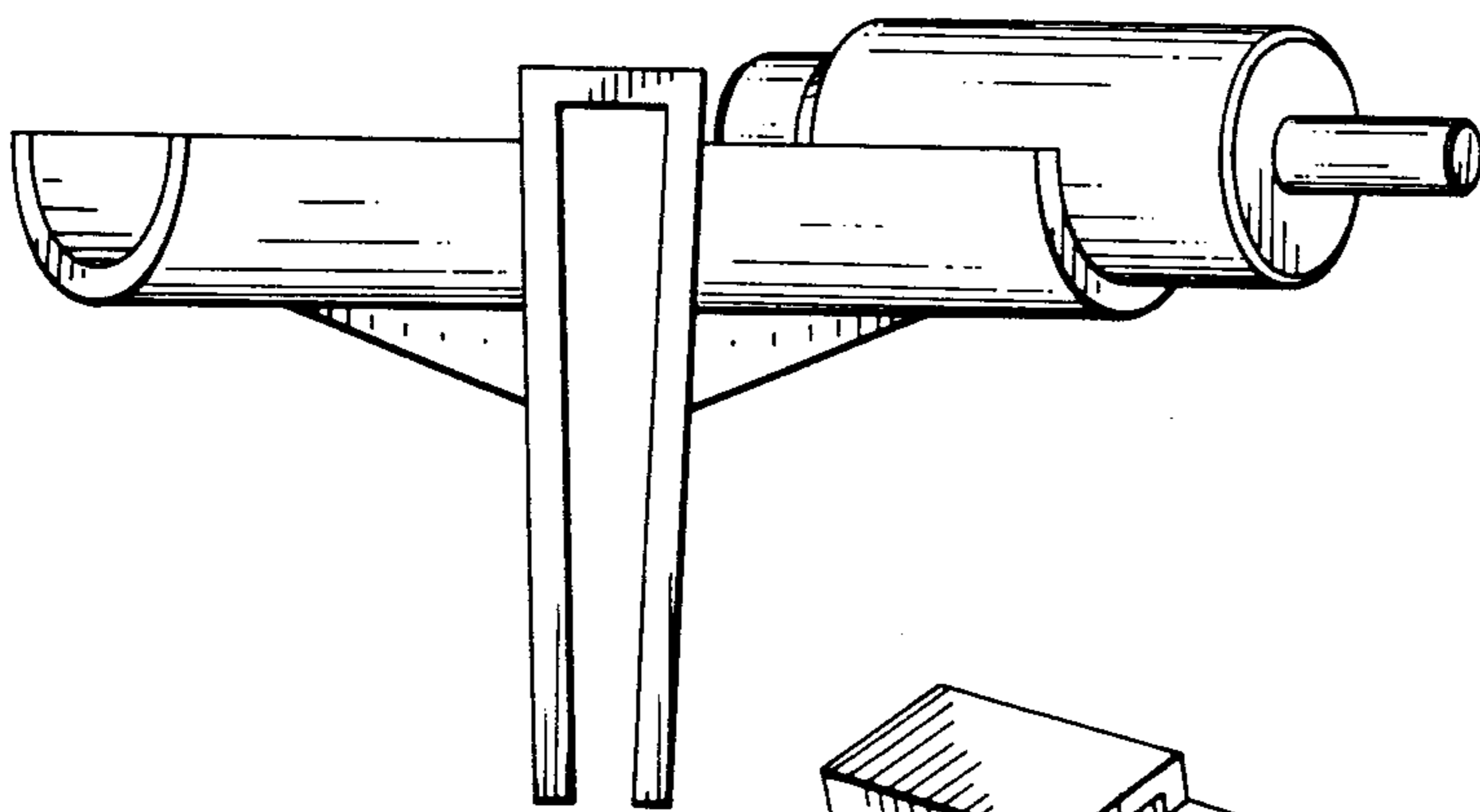


FIG. 6

