

[54] SKI POLE STORAGE RACK

[76] Inventor: James D. Allsop, 2144 Dellesta Dr., Bellingham, Wash. 98225

[\*\*] Term: 14 Years

[21] Appl. No.: 887,990

[22] Filed: Mar. 17, 1978

[51] Int. Cl. .... D6-99

[52] U.S. Cl. .... D6/157; D6/85; D6/125; D6/188

[58] Field of Search ..... D6/1, 125, 140, 142, D6/157, 180, 186, 184, 188

[56] References Cited

U.S. PATENT DOCUMENTS

D. 122,781	10/1940	Muhlhauser .....	D6/184 X
D. 247,660	4/1978	Tertorici .....	D6/188 X
D. 249,425	9/1978	Jones .....	D6/157

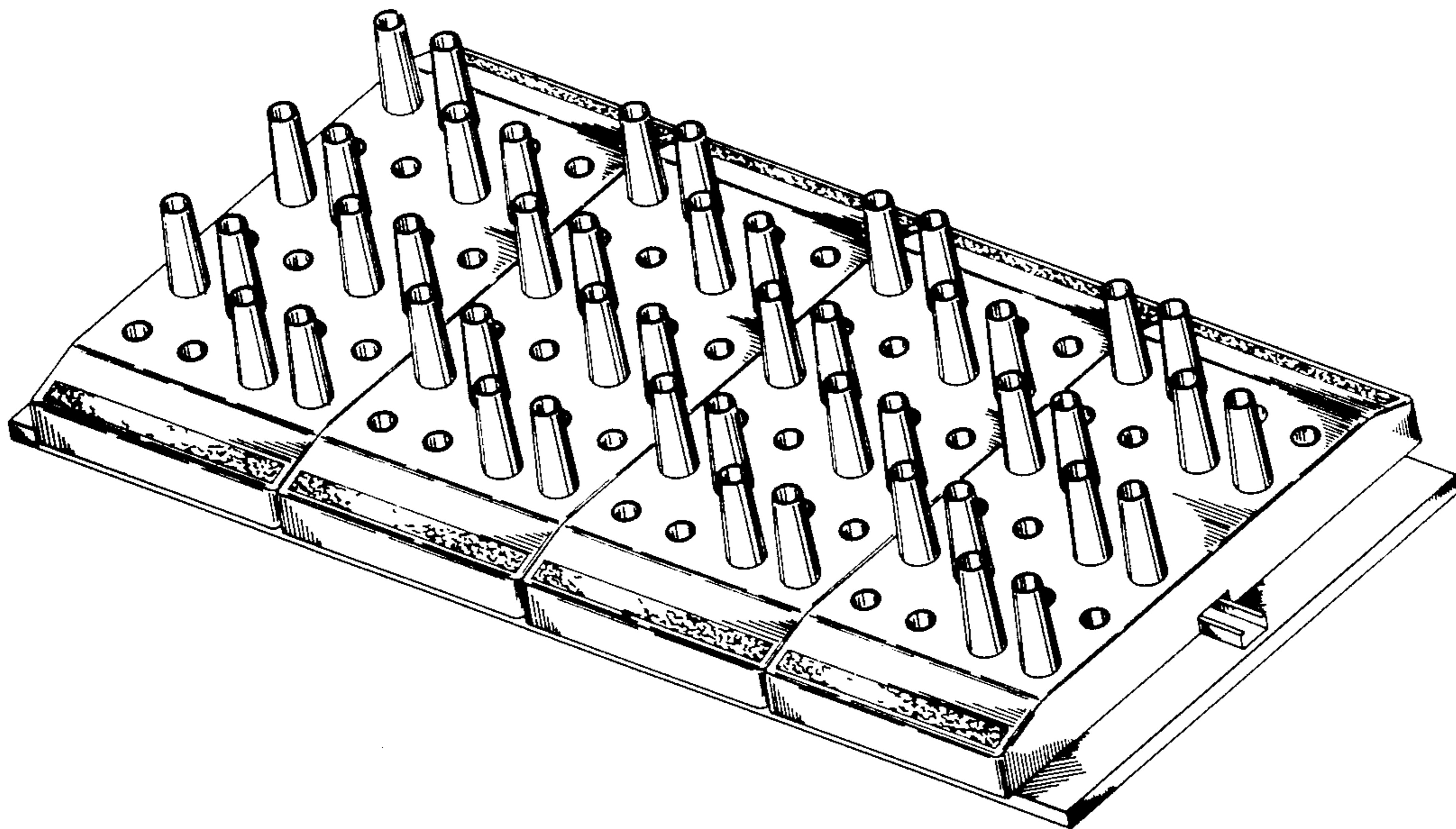
Primary Examiner—Bruce W. Dunkins  
Attorney, Agent, or Firm—Robert B. Hughes

[57] CLAIM

The ornamental design for a ski pole storage rack, substantially as shown and described.

DESCRIPTION

FIG. 1 is an isometric view taken from above and looking toward the front and one side of the ski pole storage rack showing my new design; FIG. 2 is a top view of the ski pole storage rack; FIG. 3 is a front view thereof; FIG. 4 is a side view thereof.



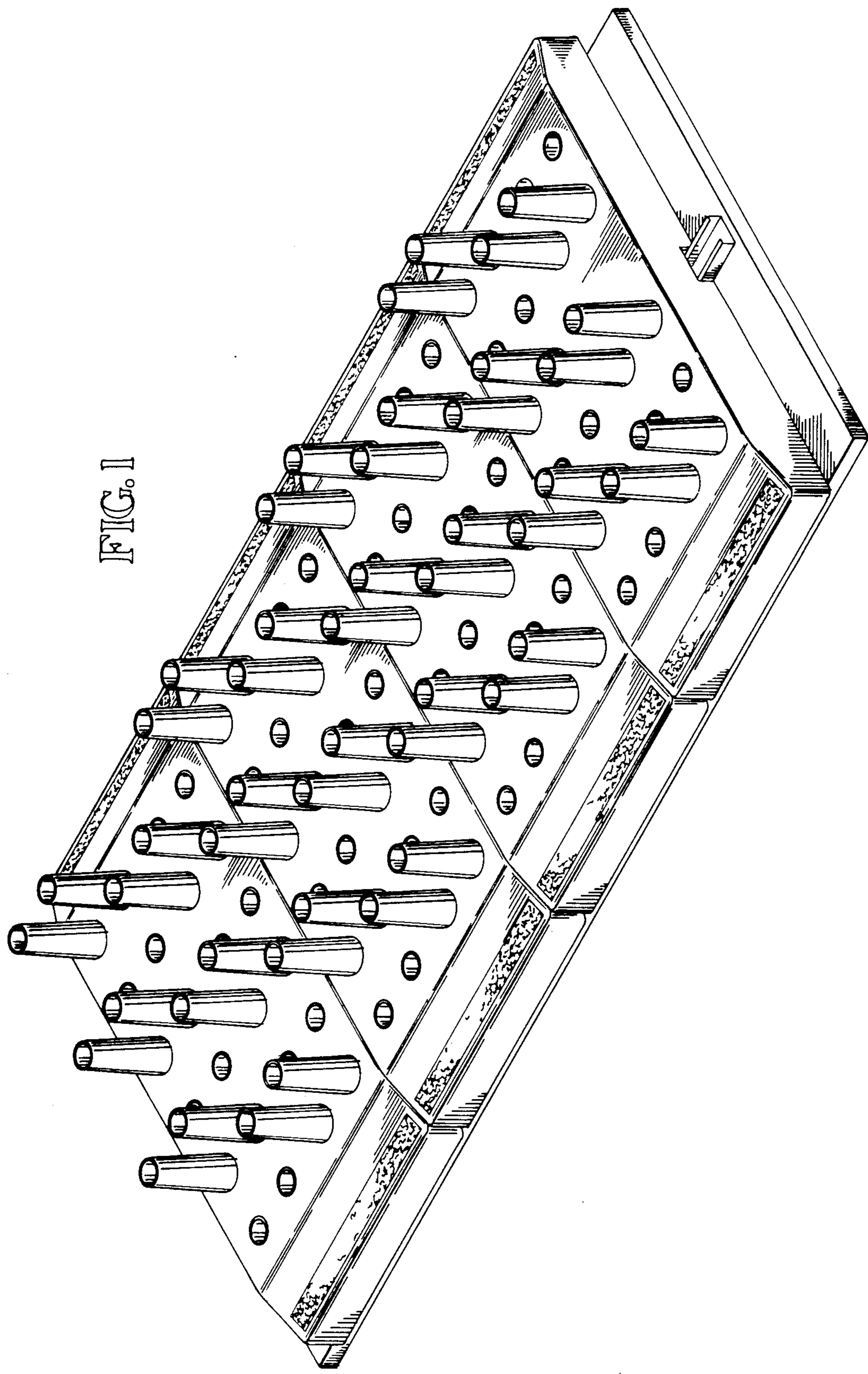


FIG. 1

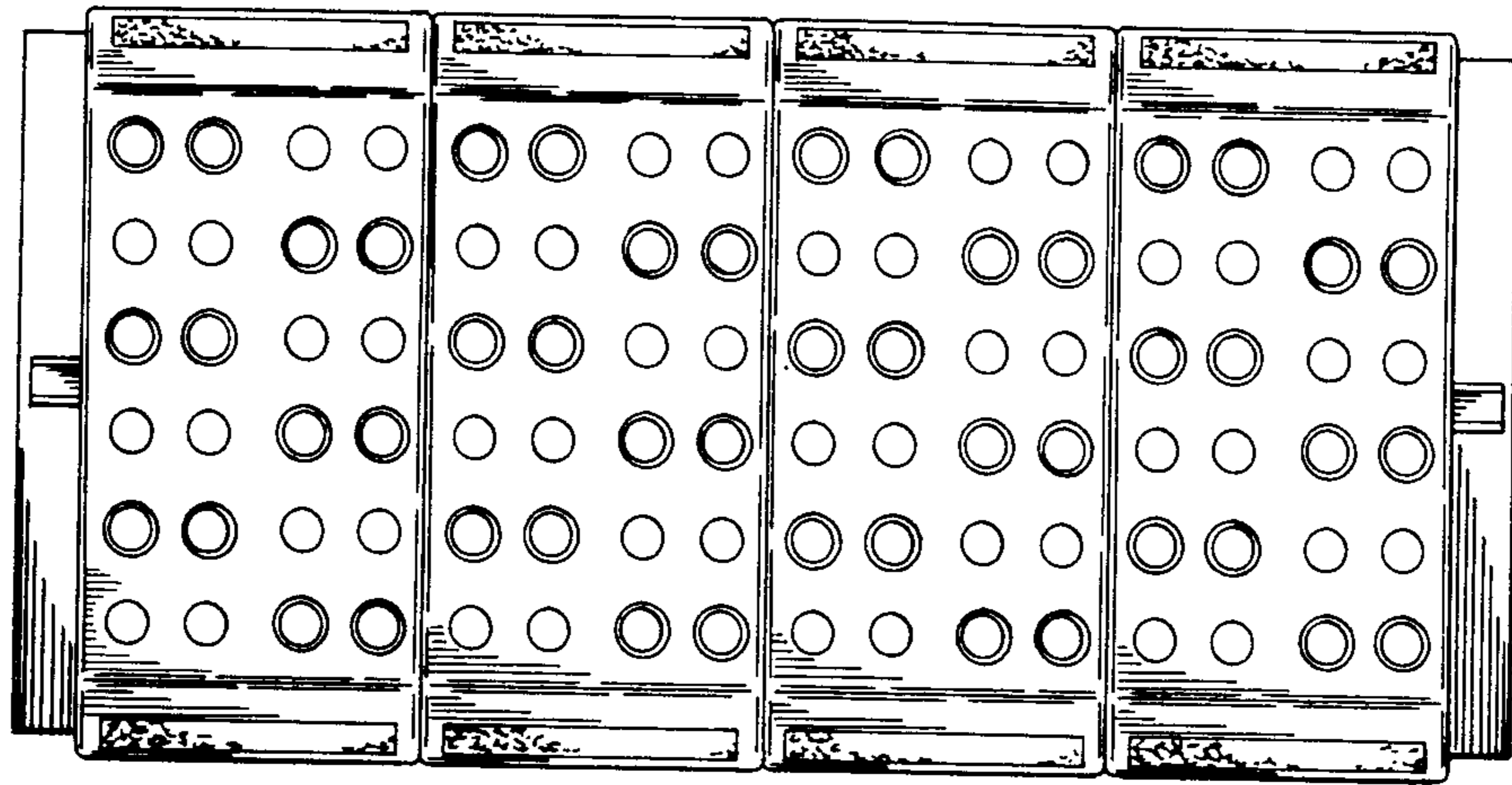


FIG. 2

FIG. 3

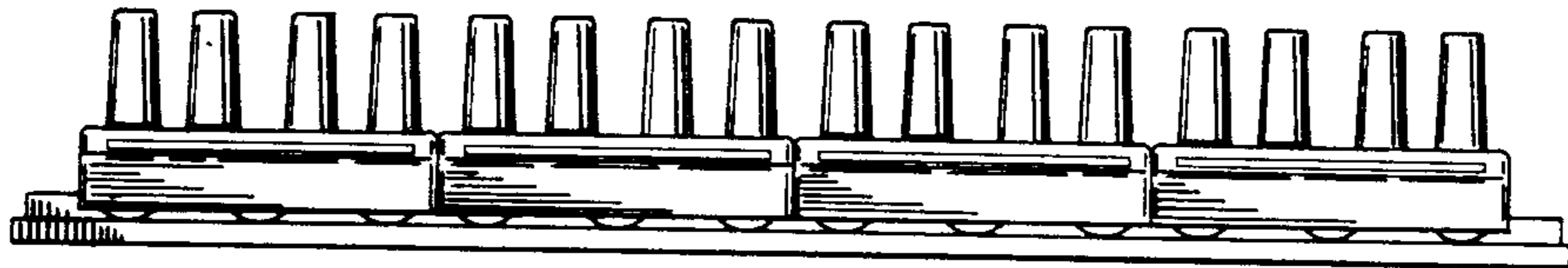


FIG. 4

