

[54] GAS-LIGHTER

[75] Inventor: Lisio Plozner, Pordenone, Italy

[73] Assignee: B.P.T. S.p.A., Cinto Caomaggiore, Italy

[**] Term: 14 Years

[21] Appl. No.: 890,897

[22] Filed: Mar. 28, 1978

[51] Int. Cl. D27-05

[52] U.S. Cl. D27/42

[58] Field of Search D27/36, 38, 39, 42; 431/124, 125, 127-143, 254, 255, 256, 275, 276

[56] References Cited

U.S. PATENT DOCUMENTS

D. 233,686 11/1974 Stutzer D27/39

FOREIGN PATENT DOCUMENTS

405095 10/1924 Fed. Rep. of Germany 431/137
633558 12/1949 United Kingdom 431/137

Primary Examiner—Catherine E. Kemper
Attorney, Agent, or Firm—Richard C. Sughrue

[57] CLAIM

The ornamental design for a gas-lighter, as shown and described.

DESCRIPTION

FIG. 1 is a perspective view of a gas-lighter showing my new design;

FIG. 2 is a side elevational view thereof on an enlarged scale, the opposite side being a mirror image;

FIG. 3 is a front elevational view thereof on an enlarged scale;

FIG. 4 is a top plan view thereof on an enlarged scale; and

FIG. 5 is a perspective view showing the front and bottom thereof.

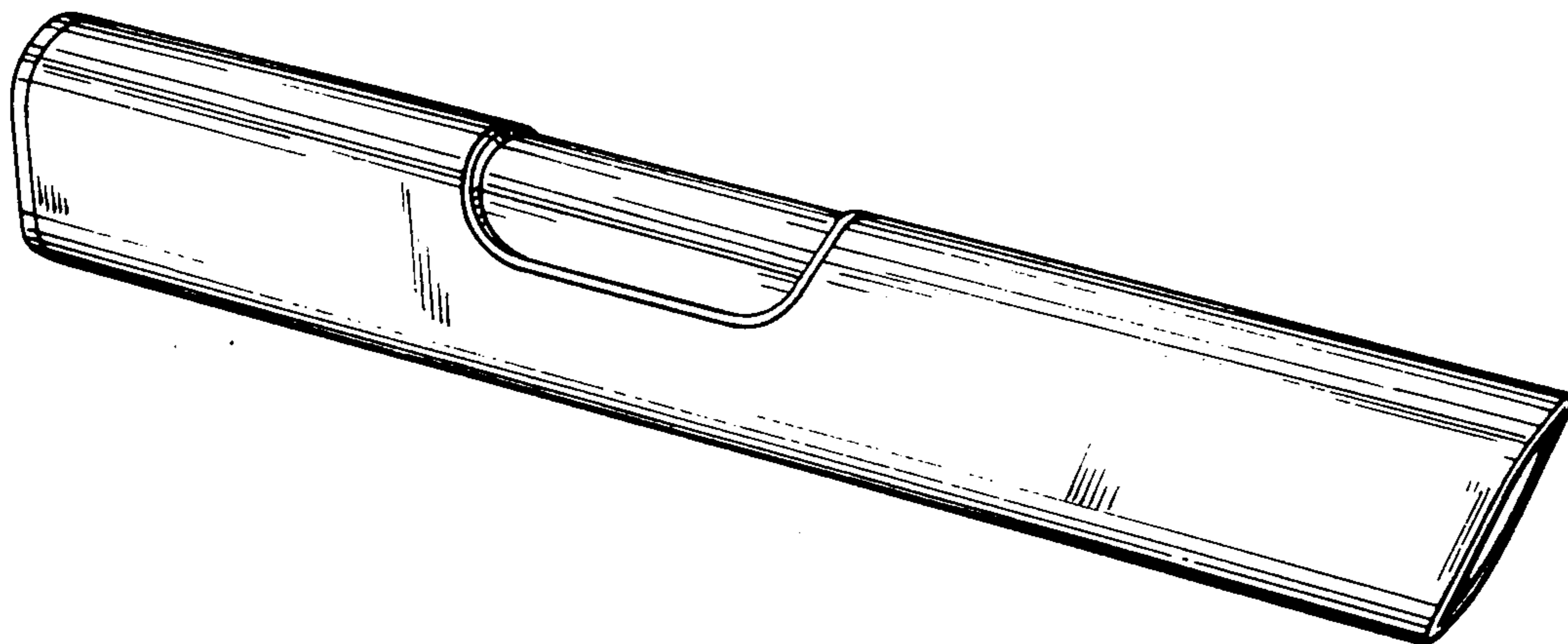


FIG. 1

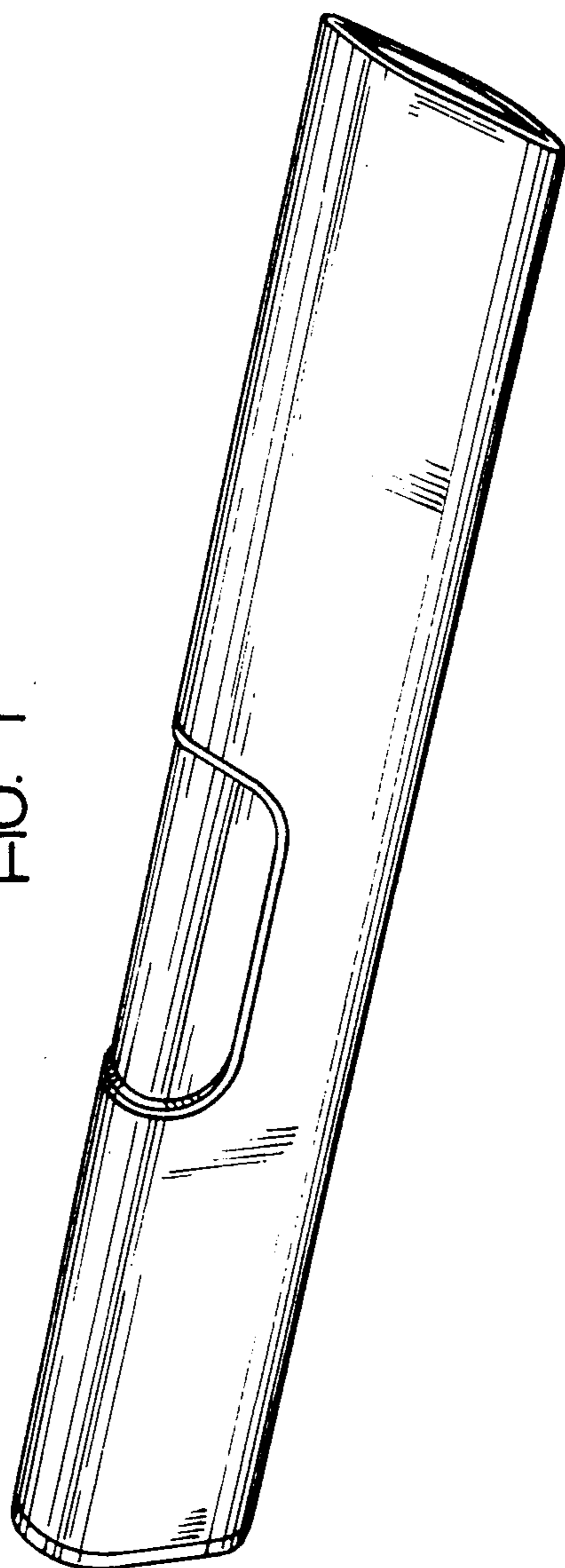


FIG. 2

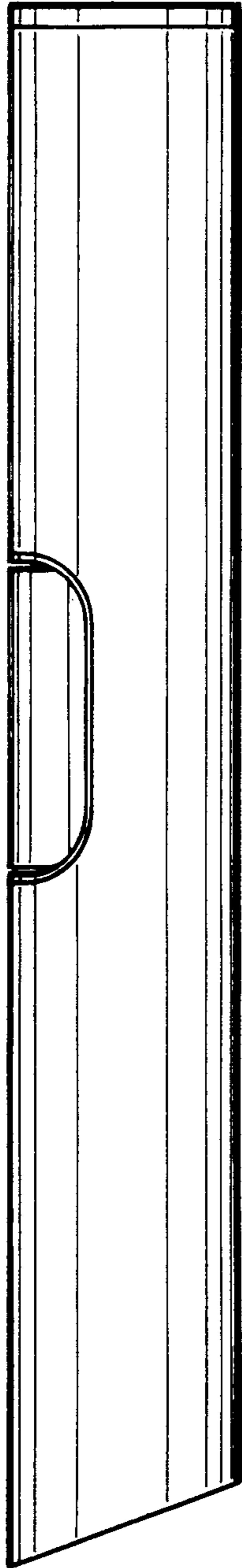


FIG. 3

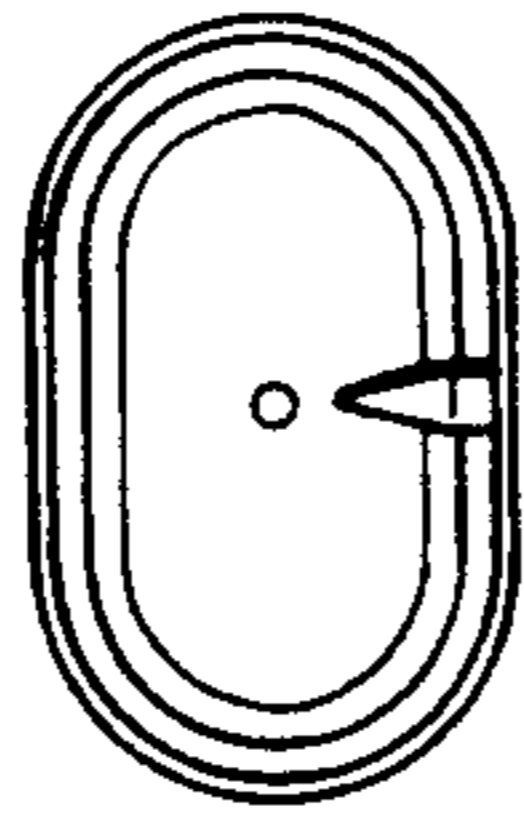


FIG. 4

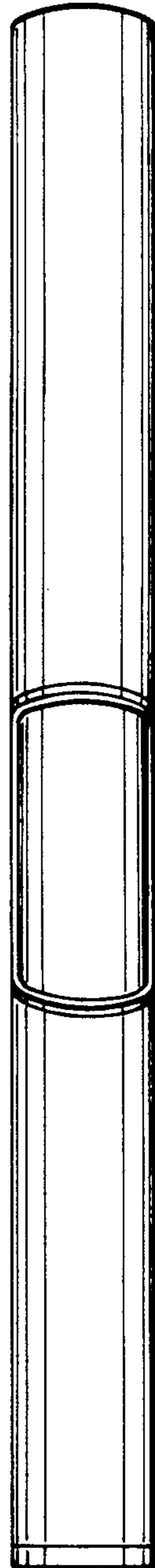


FIG. 5

