

[54] CLIP

[76] Inventor: John Herman, 8264 Gould Ave., Los Angeles, Calif. 90046

[\*\*] Term: 14 Years

[21] Appl. No.: 952,563

[22] Filed: Oct. 18, 1978

[51] Int. Cl. .... D27-02; D8-05

[52] U.S. Cl. .... D27/02; D8/22

[58] Field of Search ..... D27/2; D8/17, 21-25; D28/55; 131/187, 190, 257-260; 81/43; 24/259 R

[56]

References Cited

U.S. PATENT DOCUMENTS

D. 242,931	1/1977	Kaiser et al. ....	D27/2
D. 246,995	1/1978	Herman .....	D27/2
795,013	7/1905	Weiler .....	81/43
3,370,307	2/1968	Beeks .....	D8/22 X

Primary Examiner—Catherine E. Kemper  
Attorney, Agent, or Firm—George J. Netter

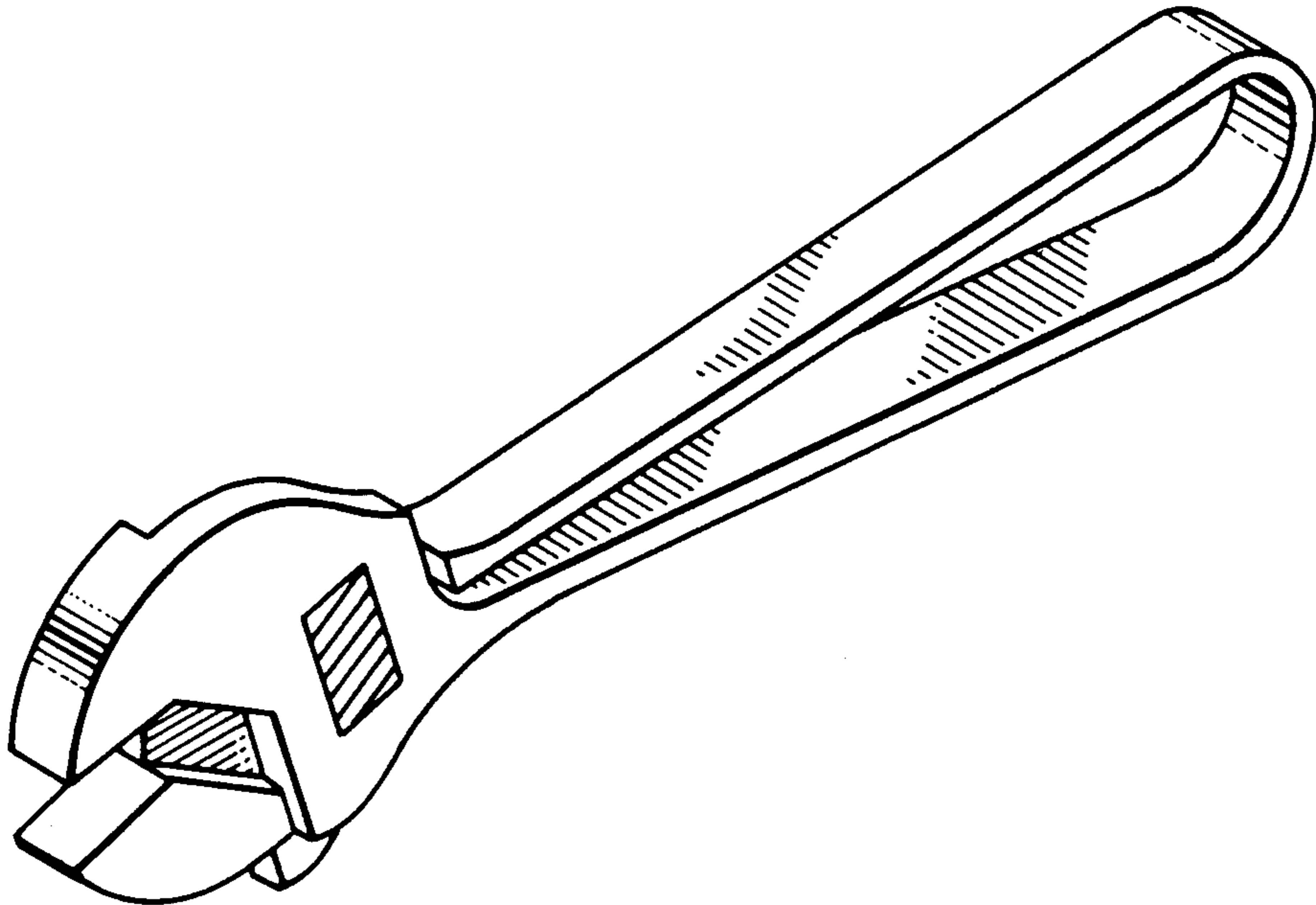
[57]

CLAIM

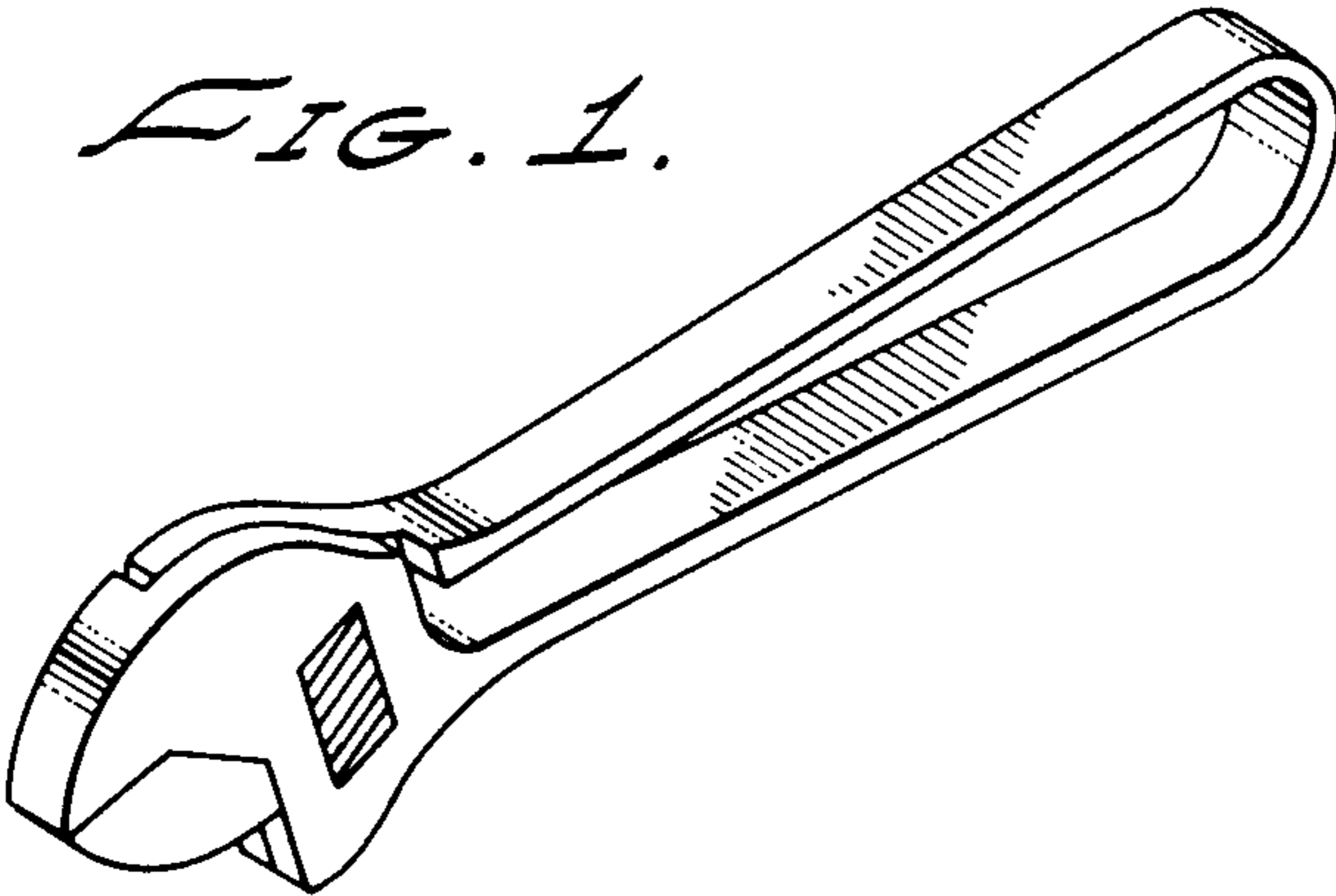
The ornamental design for a clip, as shown.

DESCRIPTION

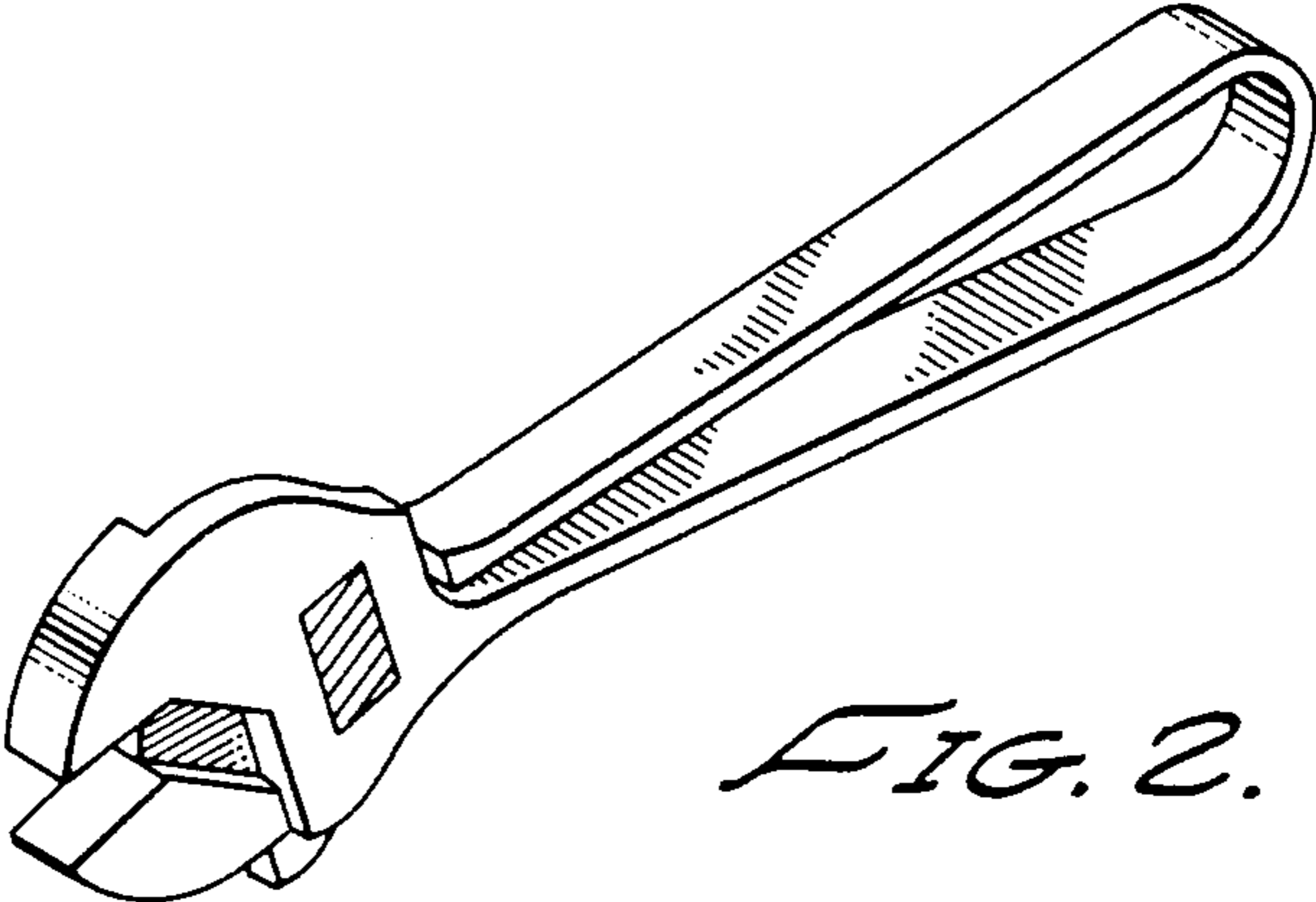
FIG. 1 is a perspective view of a clip, showing my new design, shown as it appears when closed;  
FIG. 2 is a perspective view of the clip, shown open;  
FIG. 3 is a left side elevational view thereof;  
FIG. 4 is a top plan view thereof;  
FIG. 5 is a bottom plan view thereof.



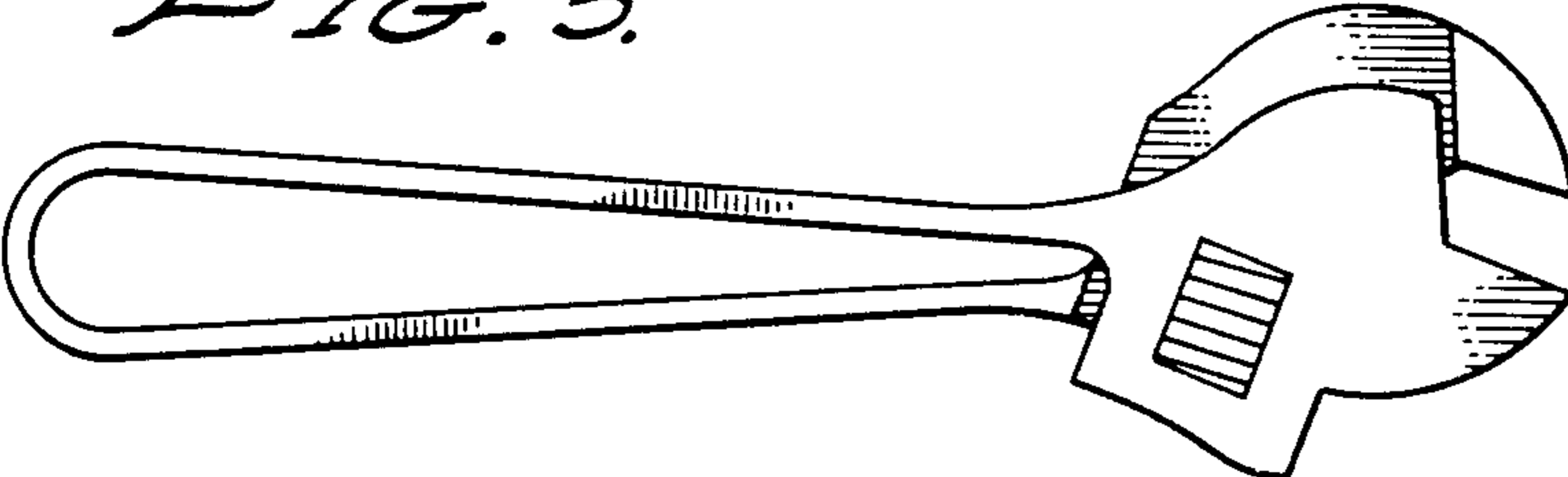
*FIG. 1.*



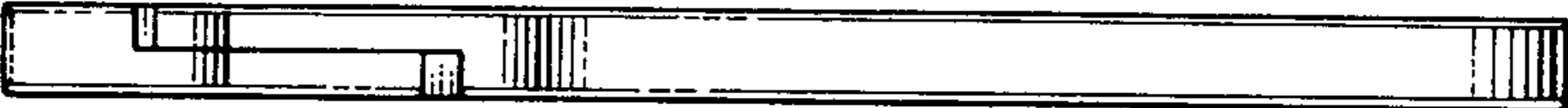
*FIG. 2.*



*FIG. 3.*



*FIG. 4.*



*FIG. 5.*

