

[54] COMPUTER CONSOLE

[75] Inventors: Robert S. Fow, Tustin; Michael H. Tooke, Calabasas; Ronald E. Loosen, Malibu, all of Calif.

[73] Assignee: Computer Automation, Irvine, Calif.

[\*\*] Term: 14 Years

[21] Appl. No.: 915,220

[22] Filed: Jun. 13, 1978

[51] Int. Cl. .... D14-02

[52] U.S. Cl. .... D14/40; D14/42

[58] Field of Search .... D14/40-51; D18/5, 6, 7, 11, 13, 18, 22, 23; D13/12, 40, 41; 340/365 R; 364/900, 800, 706, 708, 401, 402, 406, 408; 361/331, 380; 235/310, 311, 375, 378, 419, 420, 429-433, 92 CA, 92 DP

[56] References Cited  
U.S. PATENT DOCUMENTS

D. 230,485 2/1974 Jenkins ..... D14/40

D. 240,135 6/1976 Gorman et al. .... D14/42

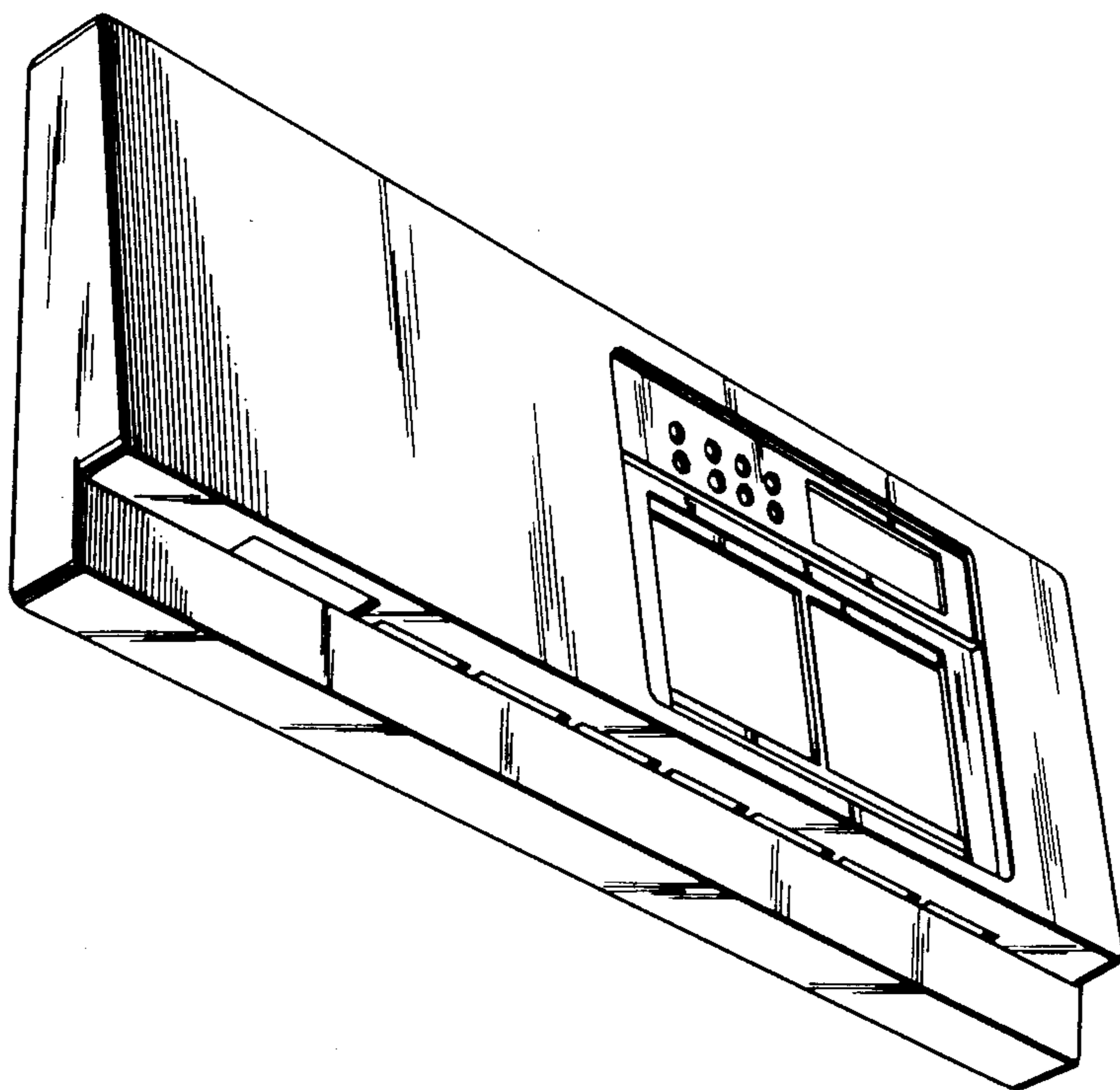
Primary Examiner—Catherine E. Kemper  
Attorney, Agent, or Firm—Louis J. Knobbe

[57] CLAIM

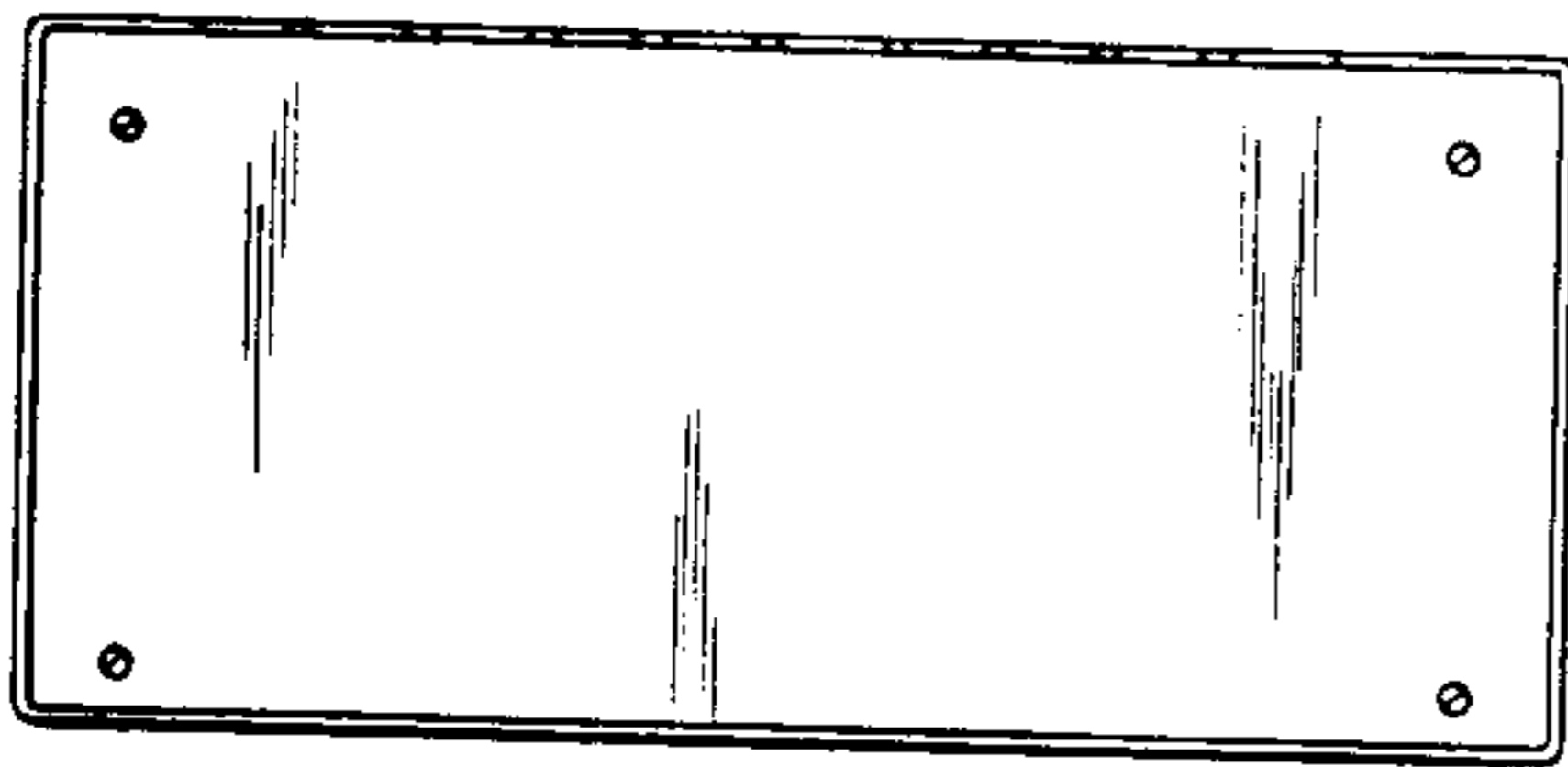
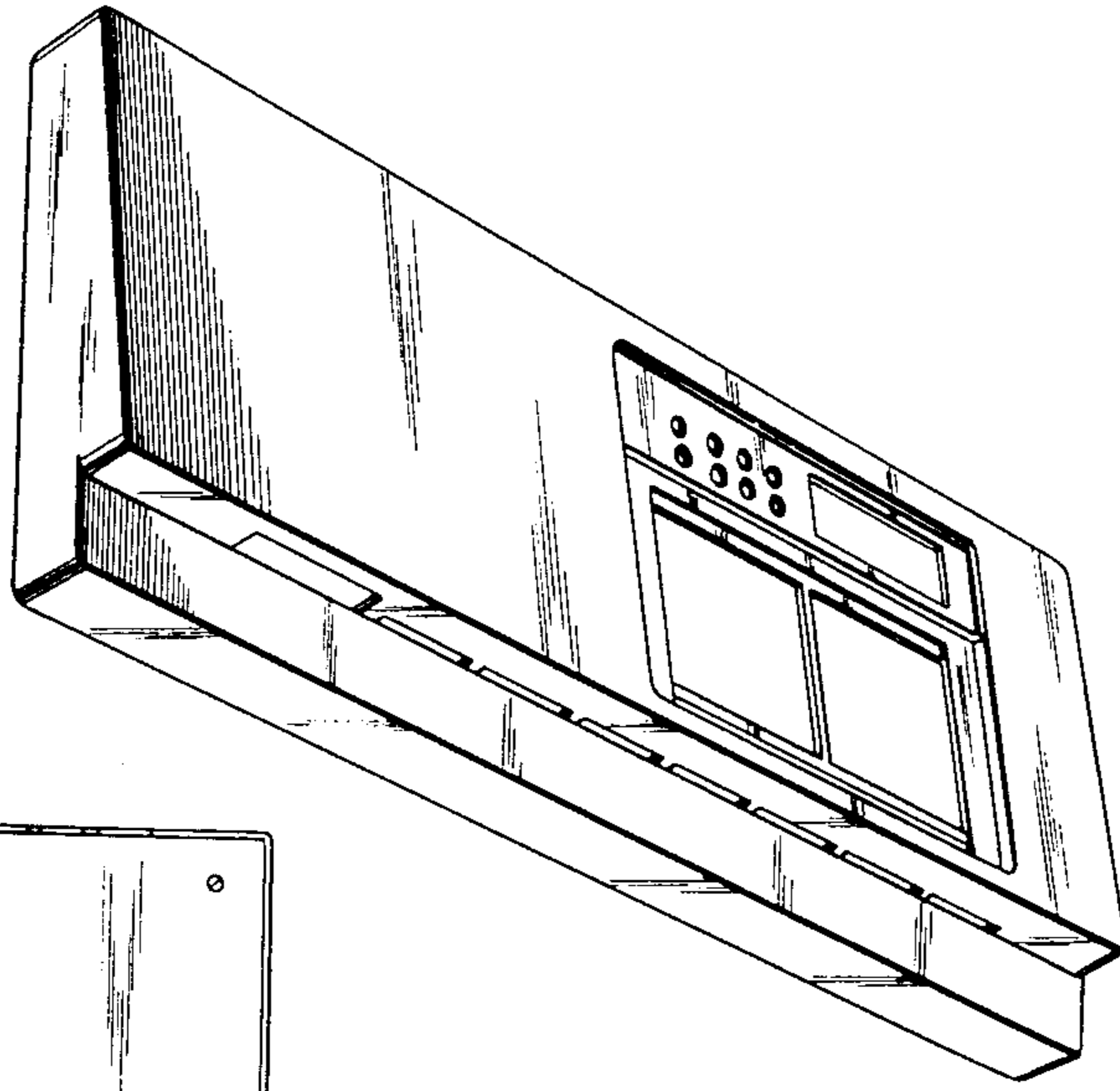
The ornamental design of a computer console, as shown and described.

DESCRIPTION

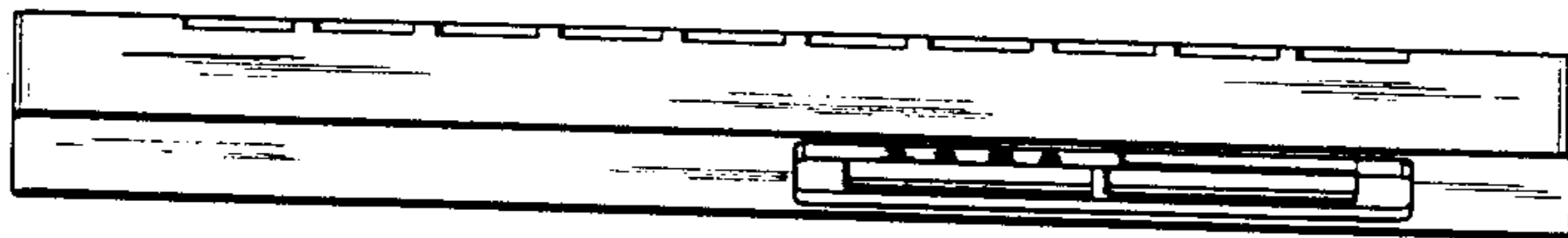
FIG. 1 is a perspective view showing the top, front, and left side of the computer console showing our new design;  
FIG. 2 is a top plan view of the computer console;  
FIG. 3 is a front elevational view of the computer console;  
FIG. 4 is an inverted rear elevational view of the computer console;  
FIG. 5 is a left elevational view of the computer console;  
FIG. 6 is a right elevational view of the computer console; and  
FIG. 7 is a bottom plan view of the computer console shown on a reduced scale relative to FIGS. 1 through 6.



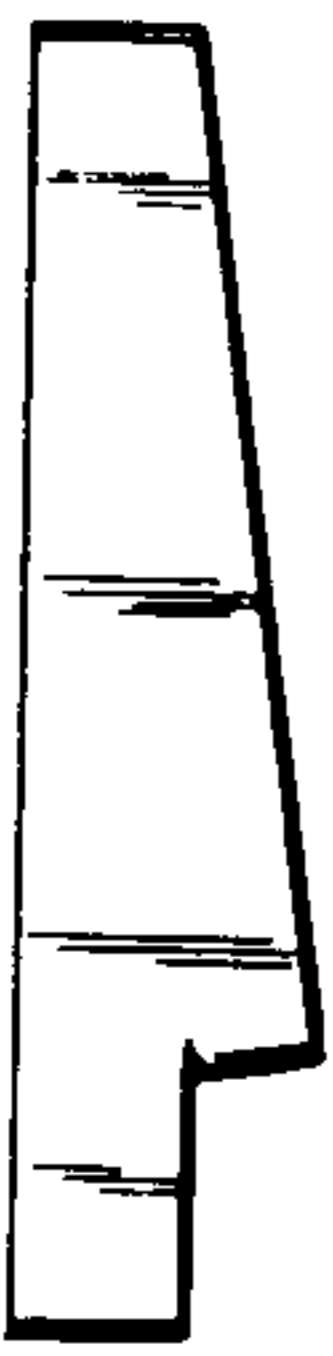
*Fig. 1*



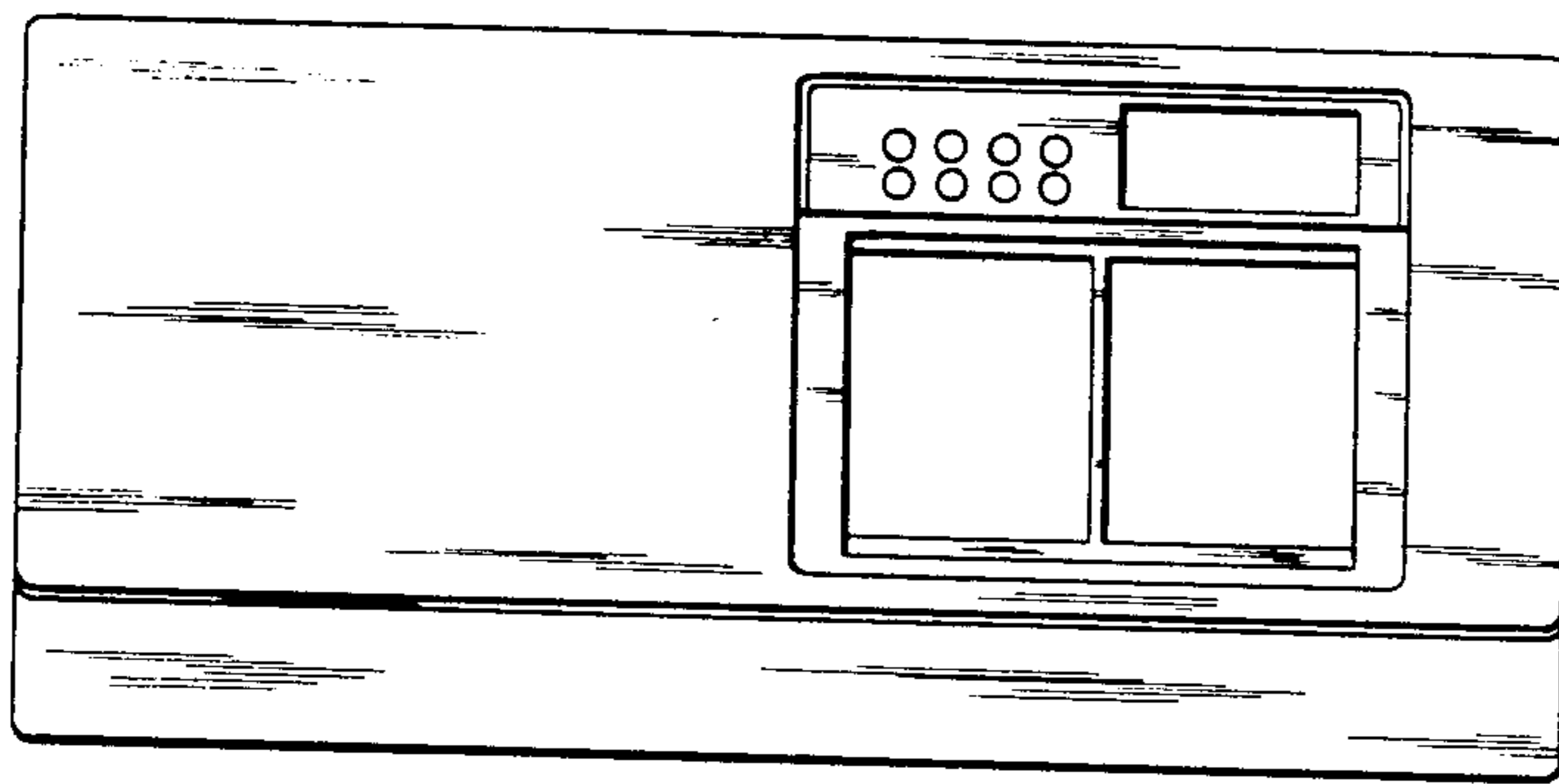
*Fig. 7*



*Fig. 4*



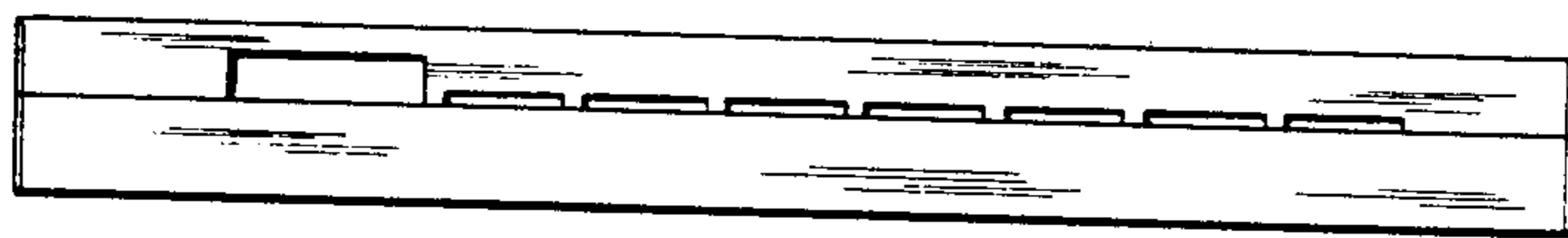
*Fig. 5*



*Fig. 2*



*Fig. 6*



*Fig. 3*