

[54] SNACK BOARD

[76] Inventor: Stewart D. Rogers, 3516 Euclid, Dallas, Tex. 75250

[\*\*] Term: 14 Years

[21] Appl. No.: 3,549

[22] Filed: Jan. 15, 1979

[51] Int. Cl. .... D07-99; D07-04

[52] U.S. Cl. .... D7/37; D7/46

[58] Field of Search ..... 269/302.1, 289, 291, 269/15; D7/37, 21, 19, 41, 46, 43

[56] References Cited

U.S. PATENT DOCUMENTS

1,233,184 7/1917 Chadwick ..... 269/302.1

OTHER PUBLICATIONS

*Office Appliances*, May 1962, p. 206, Panel #4, Trays with Open Corners.

*The Gift & Art Buyer*, Jul. 1962, p. 22, Tray #7125 by Ernest Sohn, middle r. tray.

*Best Products 1977 Buyers Book #120B*, p. 159, item 5, bottom row, 2nd from r., Wood Chopping Block.

Primary Examiner—Winifred E. Herrmann

Attorney, Agent, or Firm—D. Carl Richards

[57] CLAIM

The ornamental design for a snack board, as shown and described.

DESCRIPTION

FIG. 1 is a top perspective view of a snack board showing my new design;

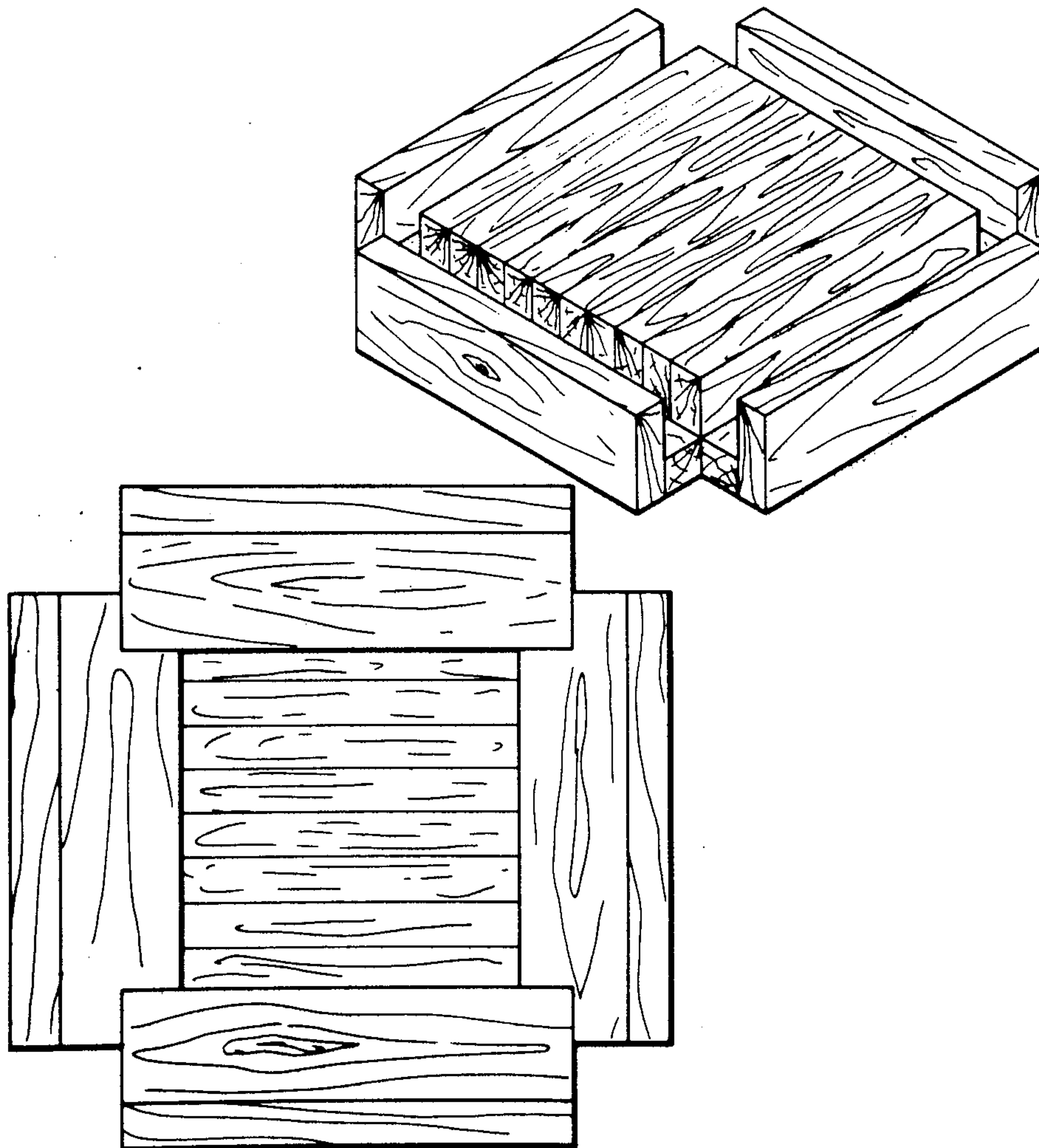
FIG. 2 is a front elevational view thereof;

FIG. 3 is a side elevational view thereof;

FIG. 4 is a top plan view thereof;

FIG. 5 is a bottom plan view thereof.

The back and the side not shown are the same as the side illustrated.



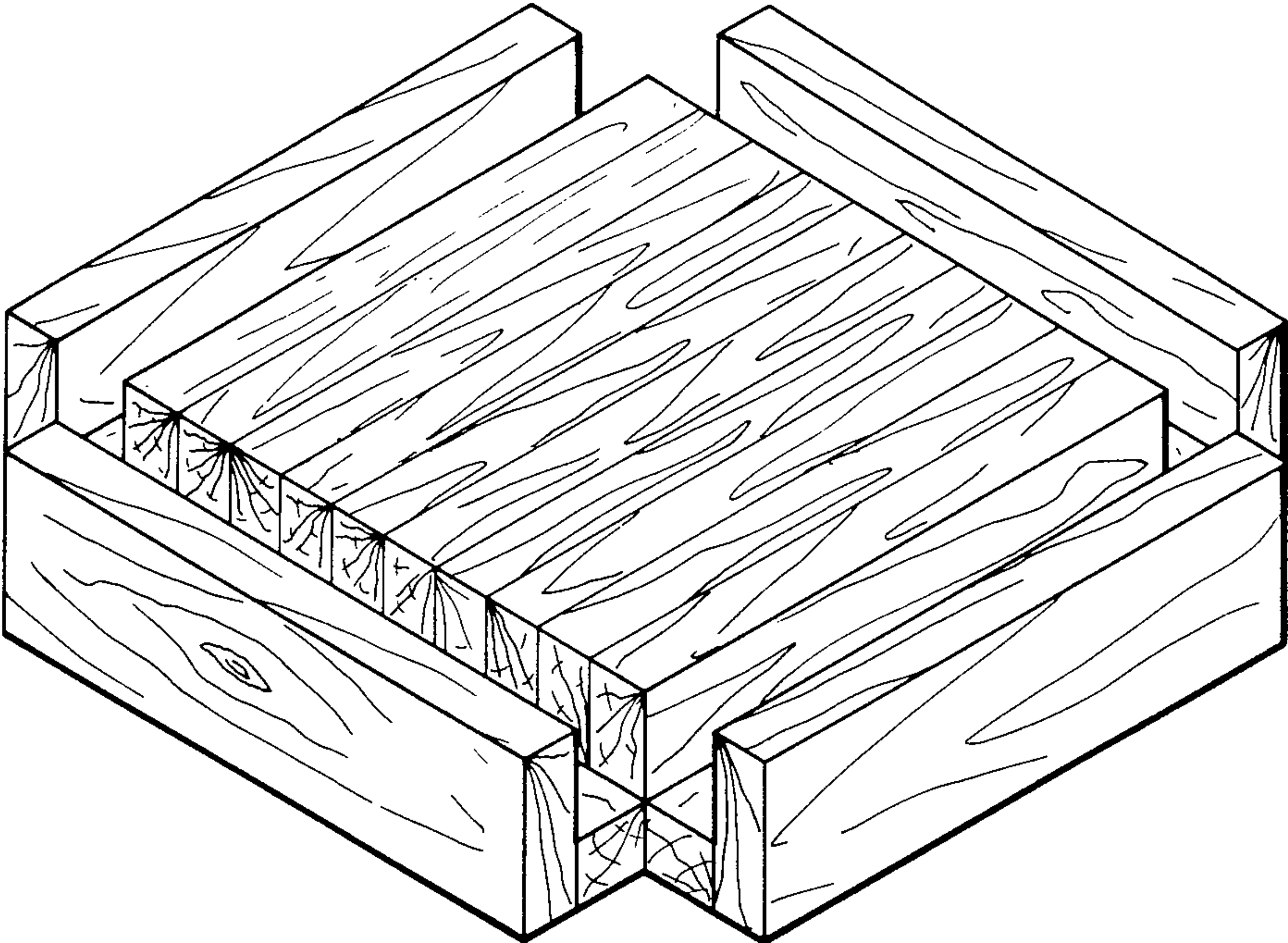


FIG. 1

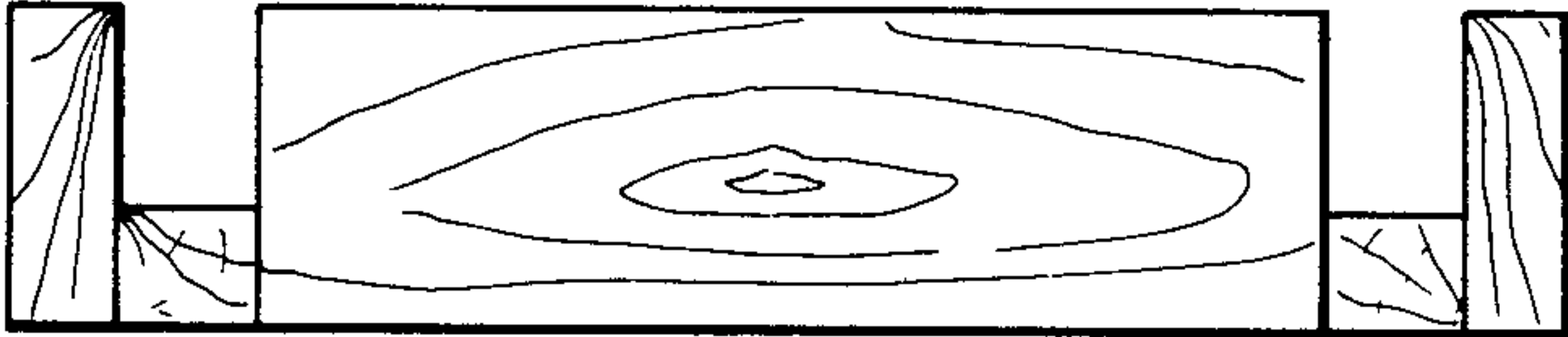


FIG. 2

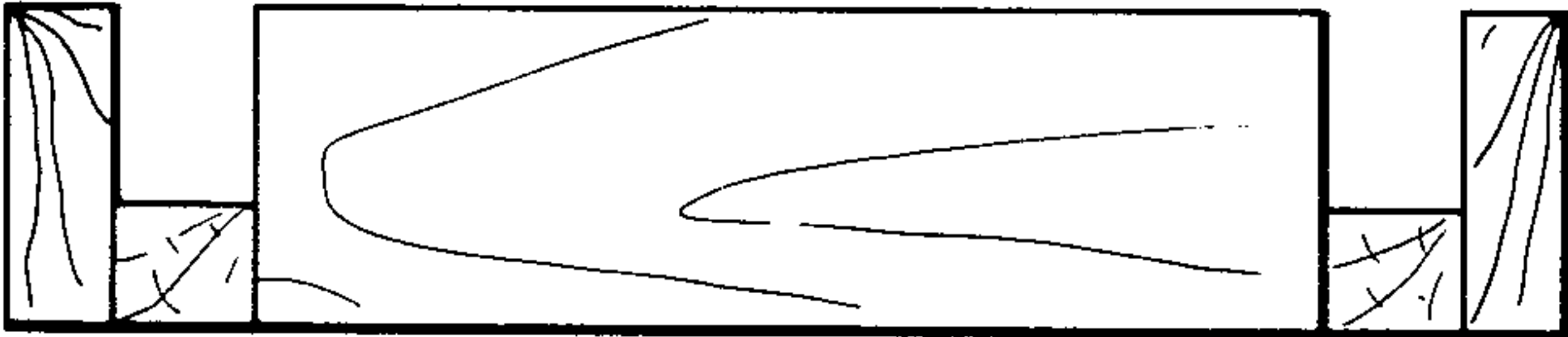


FIG. 3

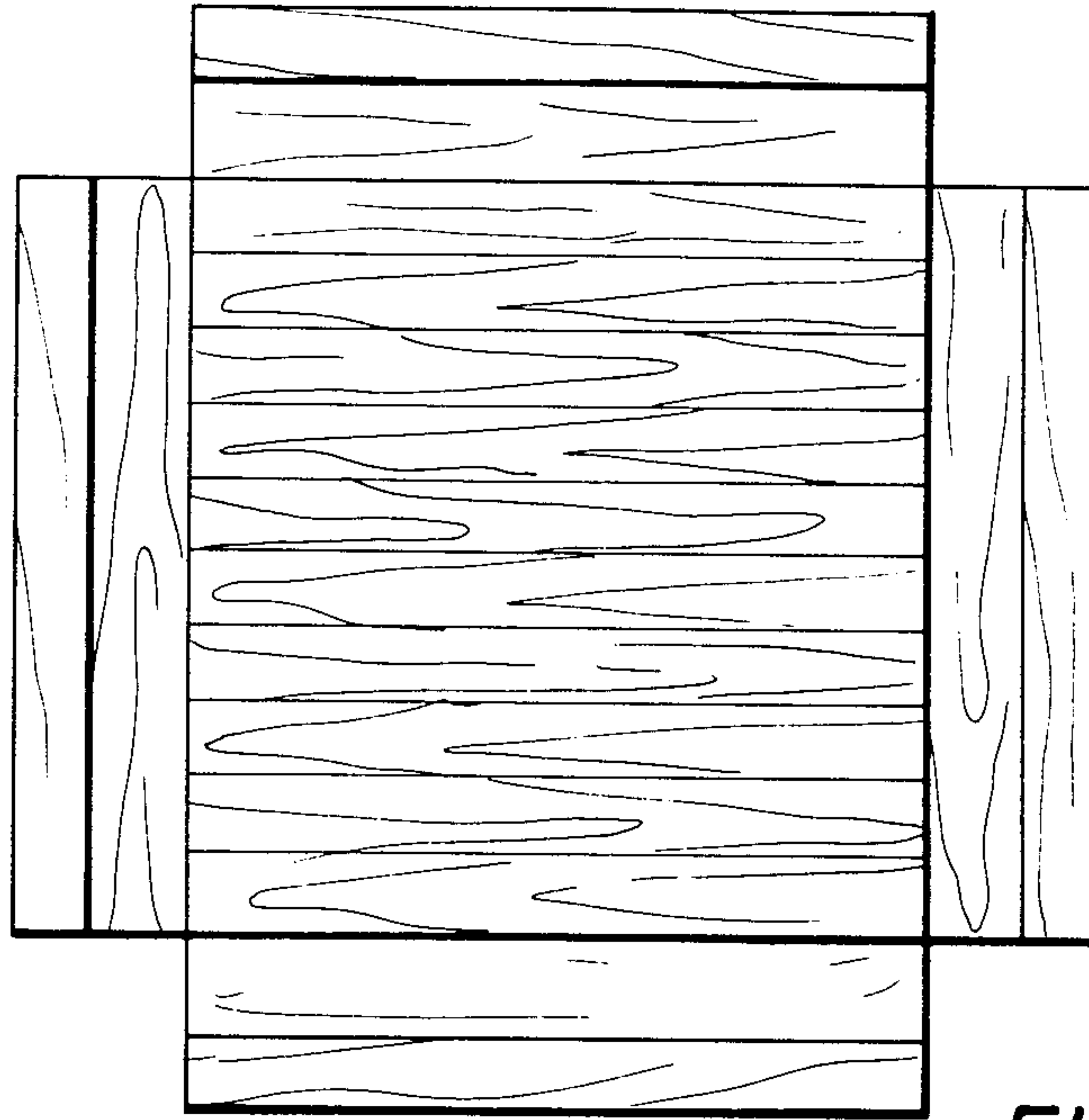


FIG. 4

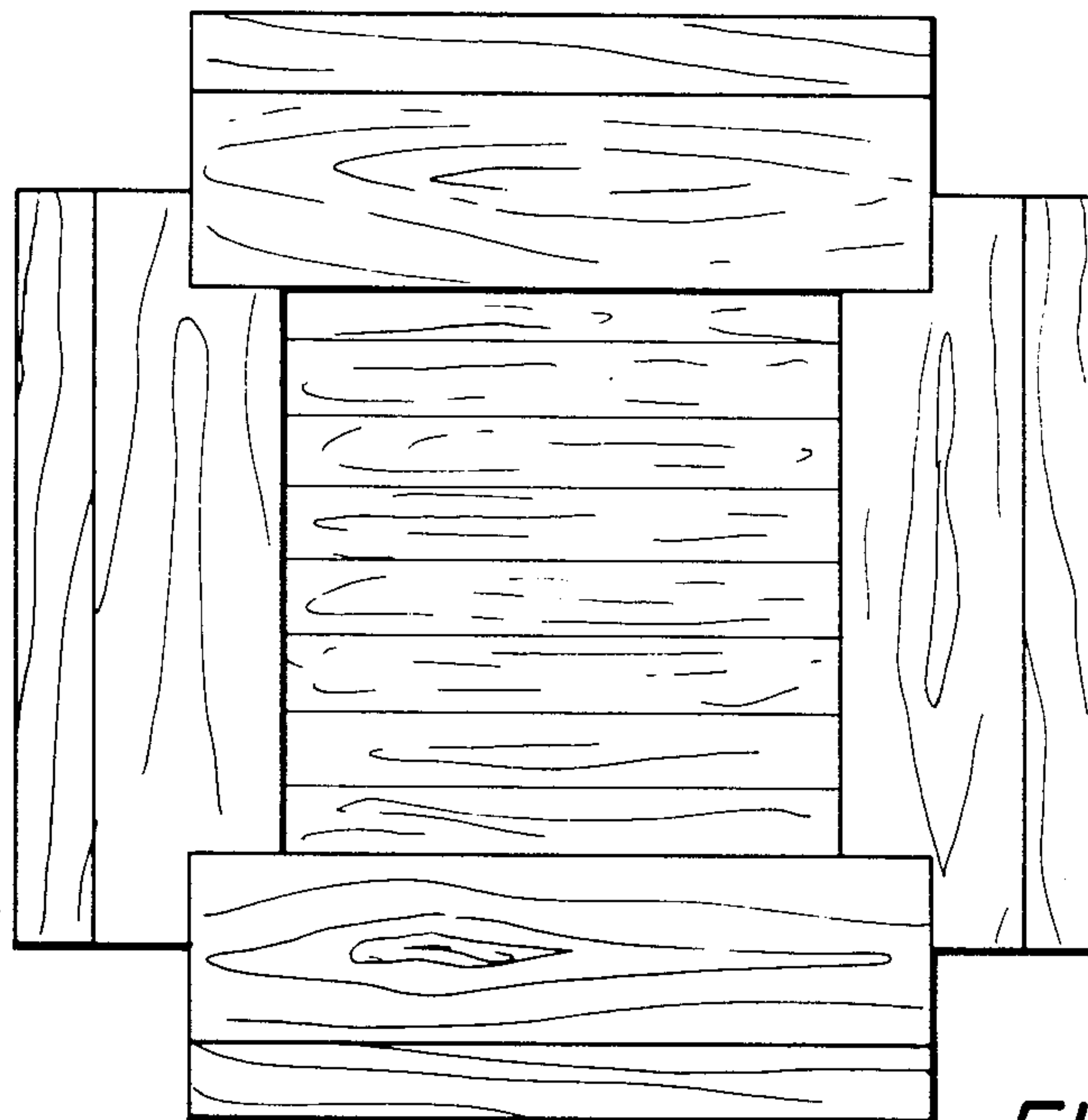


FIG. 5