

[54] HAIR DRYER

[75] Inventors: Morison S. Cousins, New York;
Michael A. Cousins, Huntington,
both of N.Y.

[73] Assignee: The Gillette Company, Boston, Mass.

[**] Term: 14 Years

[21] Appl. No.: 970,745

[22] Filed: Dec. 18, 1978

[51] Int. Cl. D28-03

[52] U.S. Cl. D28/13

[58] Field of Search D28/9, 10, 12-18;
132/7, 9; 34/96-98

[56]

References Cited

U.S. PATENT DOCUMENTS

D. 248,048 5/1978 Cousins et al. D28/13
D. 253,012 9/1979 Rakocy et al. D28/13 X

Primary Examiner—Louis S. Zarfaz
Attorney, Agent, or Firm—Richard A. Wise

[57]

CLAIM

The ornamental design for a hair dryer, as shown and described.

DESCRIPTION

FIG. 1 is a perspective view of a hair dryer showing our new design;
FIG. 2 is a front elevational view thereof;
FIG. 3 is a front end elevational view thereof;
FIG. 4 is a top plan view thereof;
FIG. 5 is a rear elevational view thereof;
FIG. 6 is a back end elevational view thereof; and
FIG. 7 is a bottom plan view thereof.
The cord is depicted only partially for convenience of illustration.

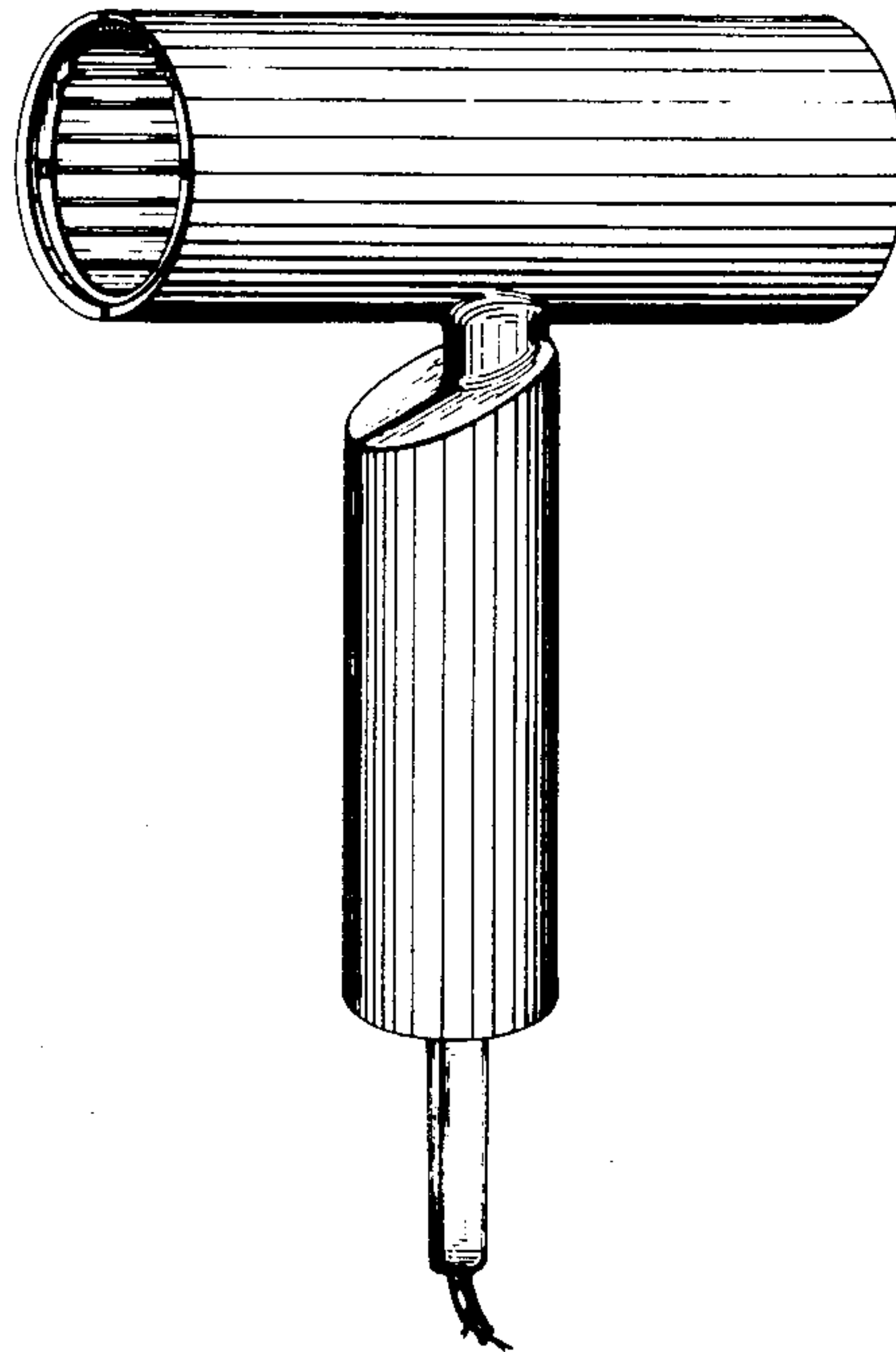
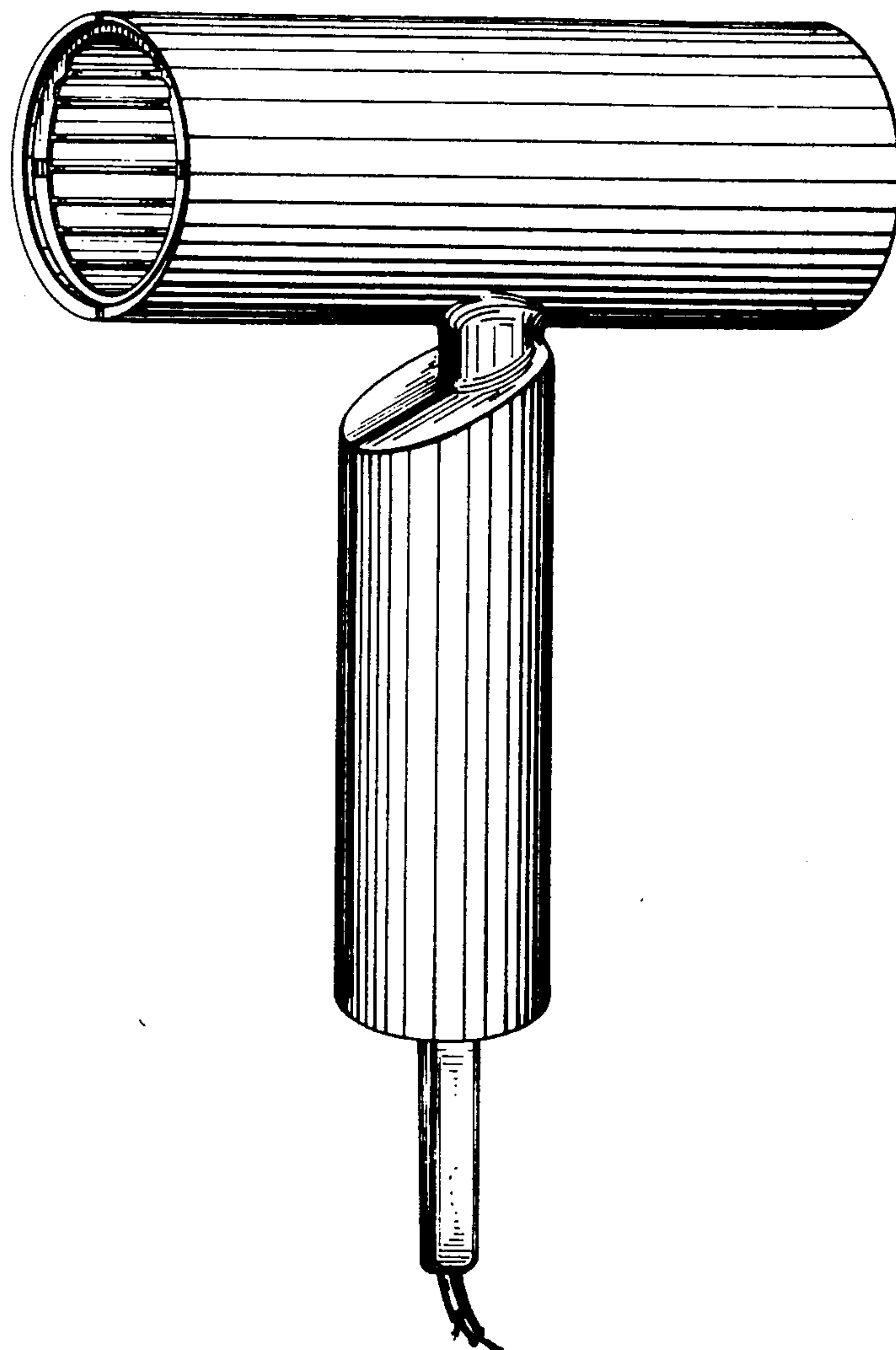


Fig. 1



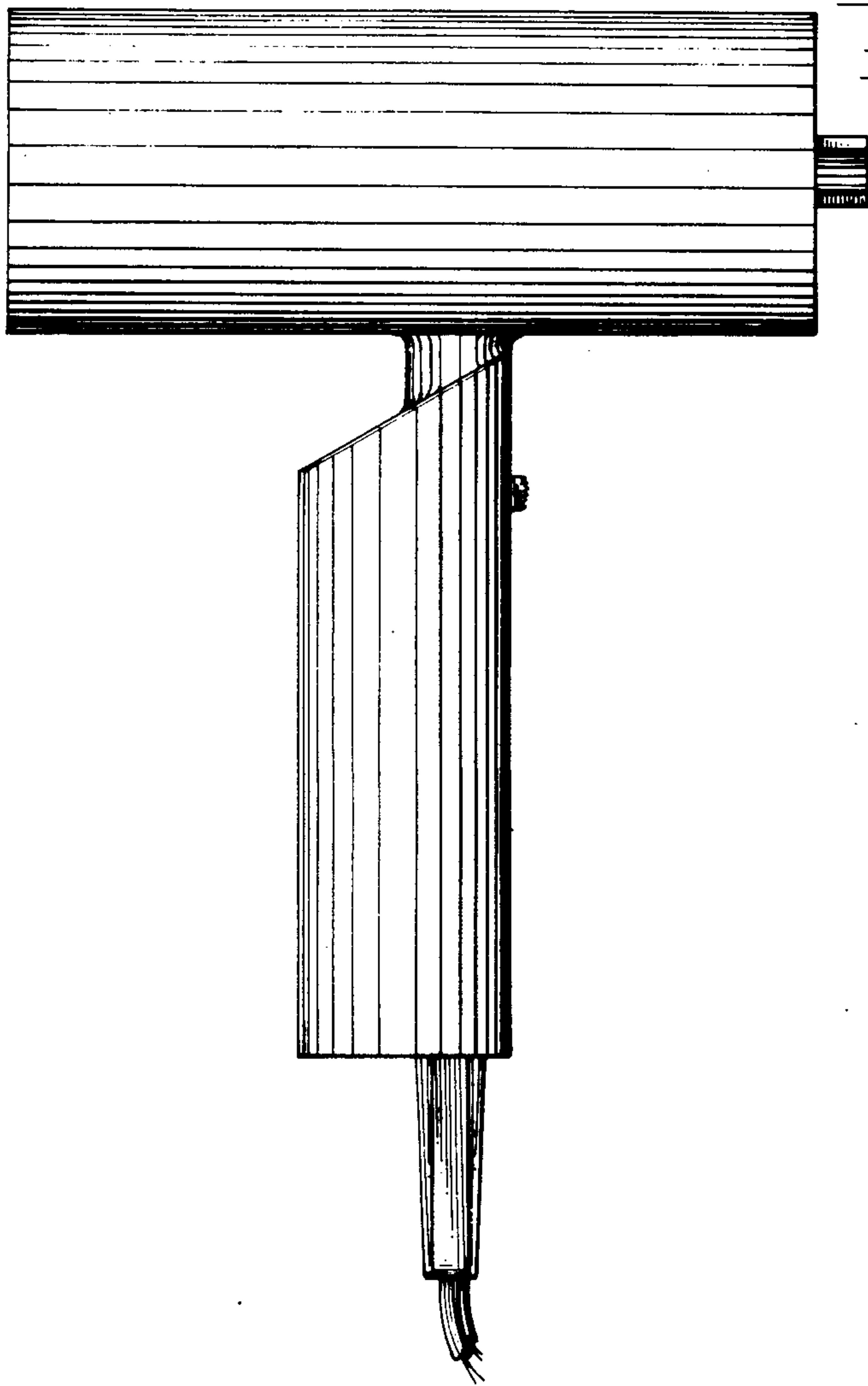


Fig. 2

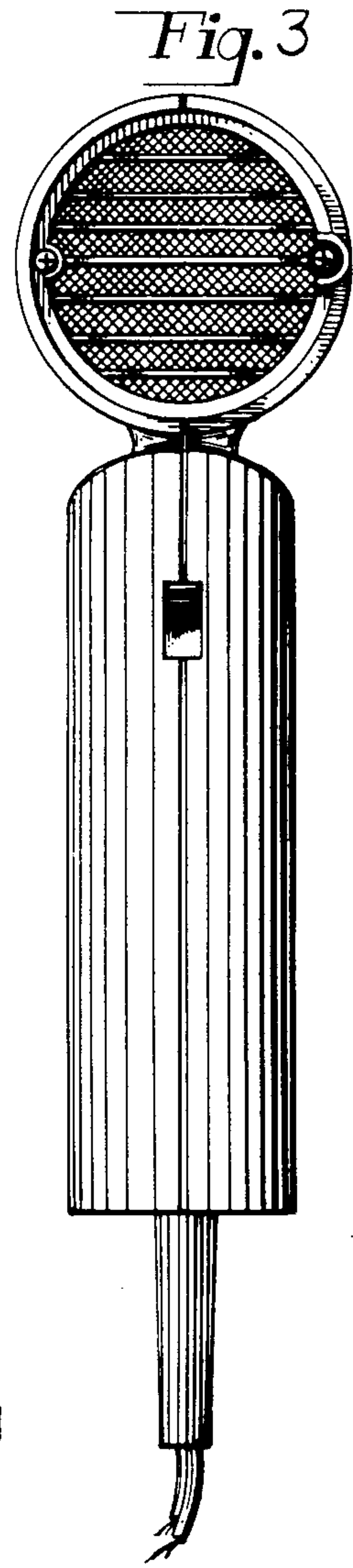


Fig. 3

Fig. 4



Fig. 5

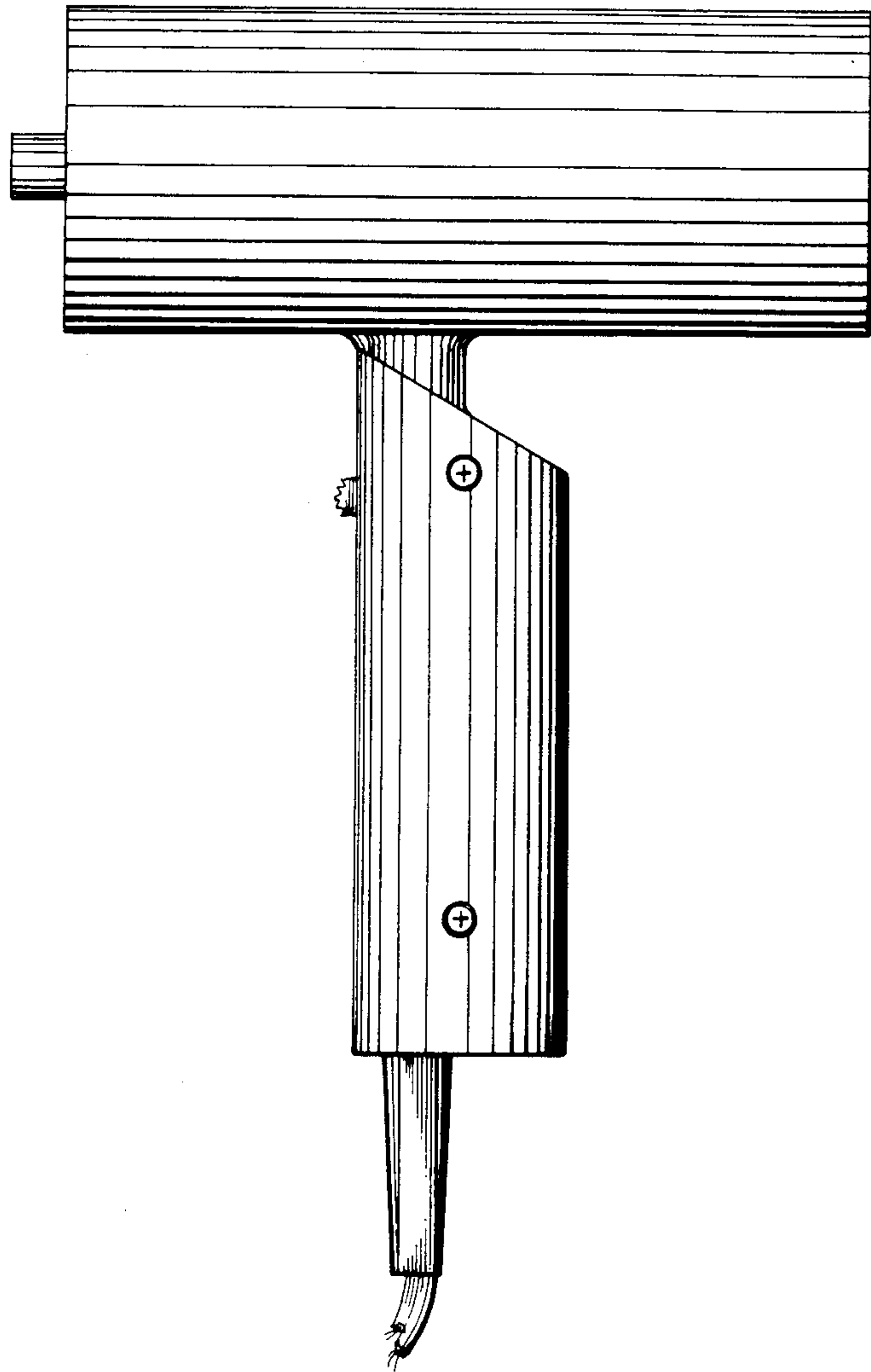


Fig. 6

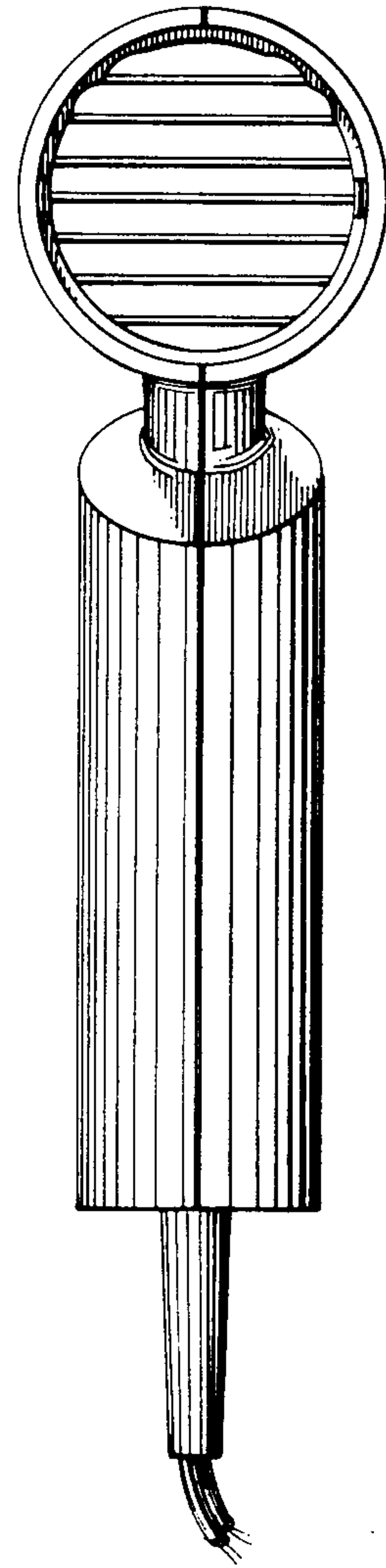


Fig. 7

