

[54] HAIR DRYER

[75] Inventor: Morison S. Cousins, New York, N.Y.

[73] Assignee: The Gillette Company, Boston, Mass.

[\*\*] Term: 14 Years

[21] Appl. No.: 970,743

[22] Filed: Dec. 18, 1978

[51] Int. Cl. .... D28-3

[52] U.S. Cl. .... D28/13; D23/155

[58] Field of Search .... D28/9, 10, 12-18, D28/354; 219/222, 225; 132/7, 9; 34/96-98; D23/155

[56] References Cited

U.S. PATENT DOCUMENTS

D. 54,419	2/1920	Hotz	.....	D23/155
D. 115,448	6/1939	Park	.....	D23/155
1,603,117	10/1926	Kimmel	.....	34/96

FOREIGN PATENT DOCUMENTS

647291 12/1950 United Kingdom ..... D28/13

OTHER PUBLICATIONS

*Design*, Dec. 1962, p. 71, Hair dryer at bottom right.

*Primary Examiner*—Louis S. Zarfes

*Attorney, Agent, or Firm*—Richard A. Wise

[57] CLAIM

The ornamental design for a hair dryer, as shown and described.

DESCRIPTION

FIG. 1 is a front elevational view of a hair dryer showing my new design;

FIG. 2 is a left side elevational view thereof;

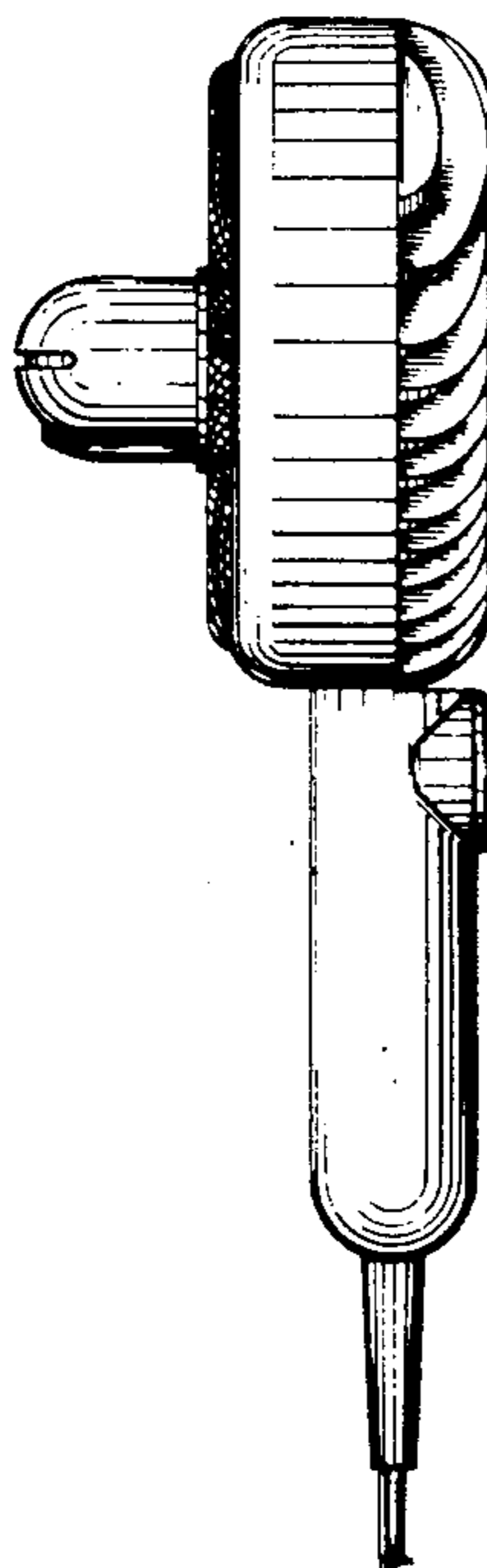
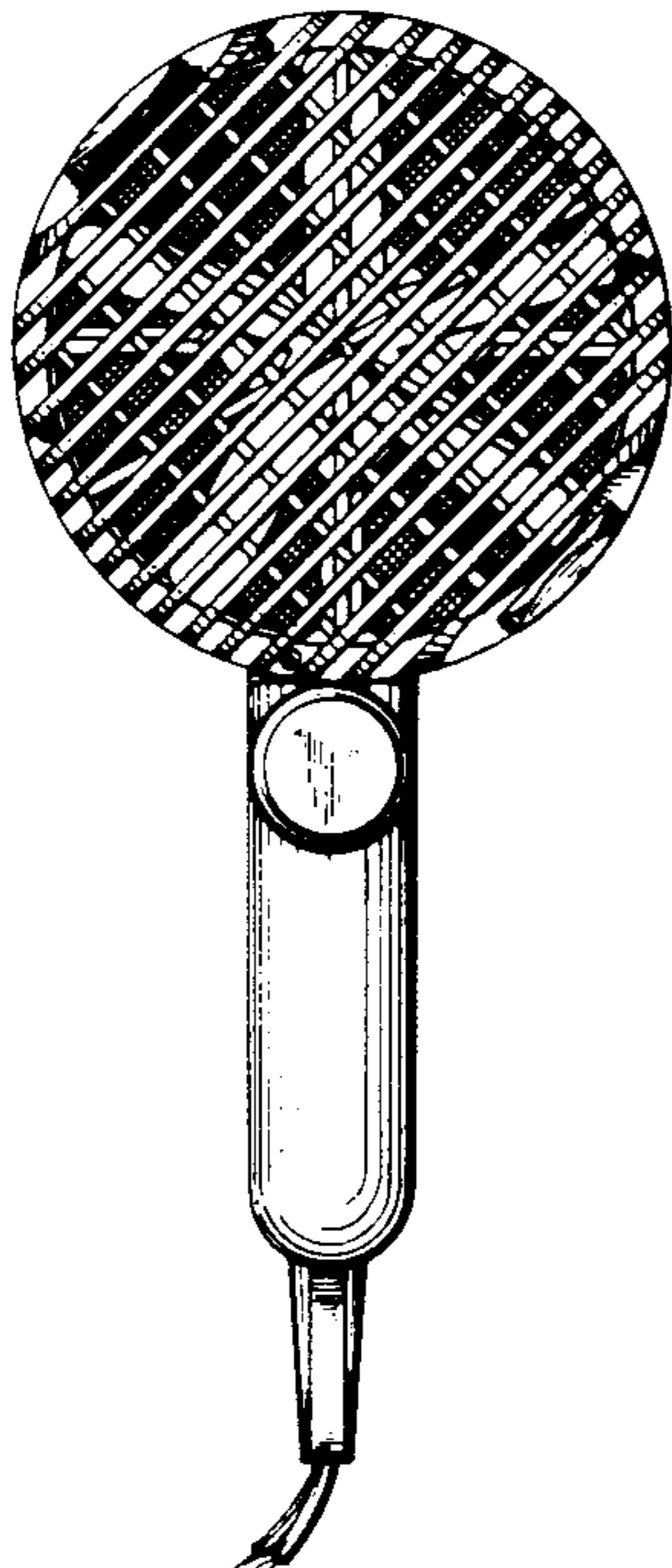
FIG. 3 is a top plan view thereof;

FIG. 4 is a right side elevational view thereof;

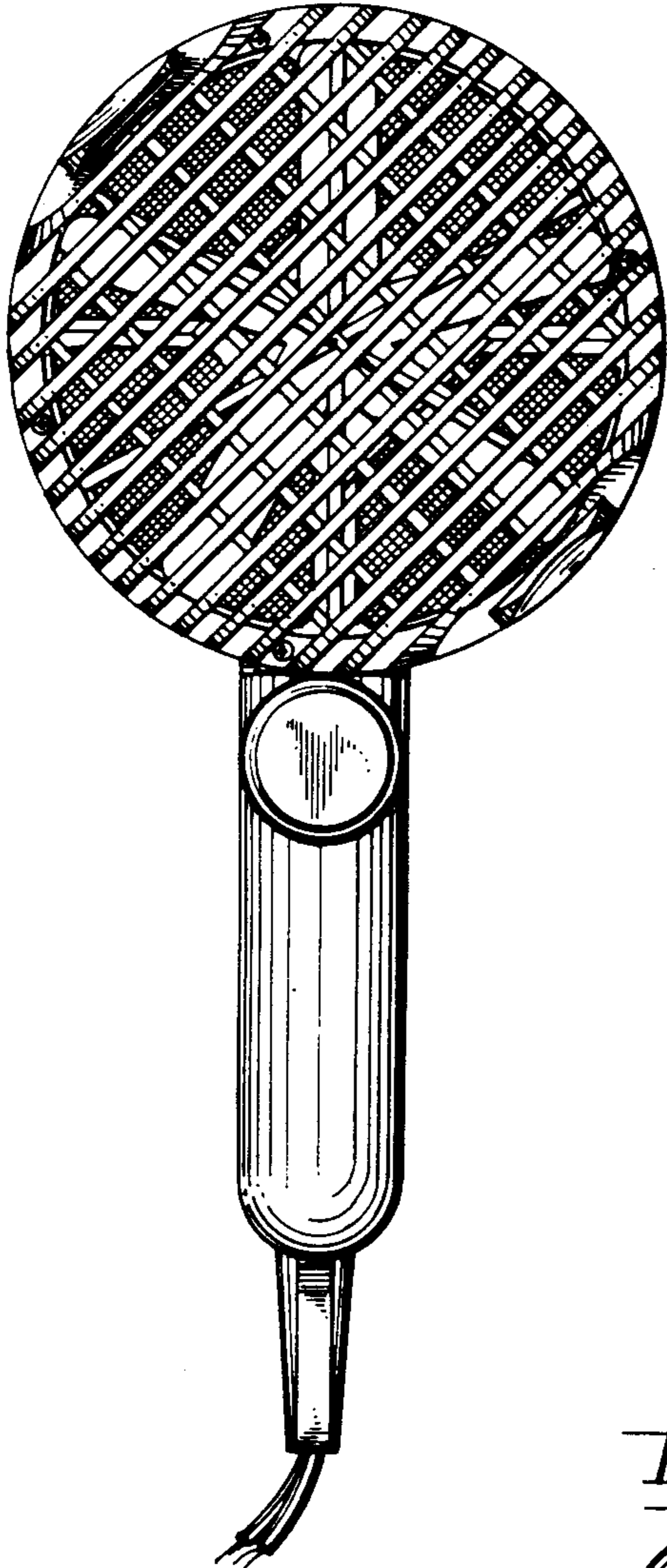
FIG. 5 is a back elevational view thereof; and

FIG. 6 is a bottom plan view thereof.

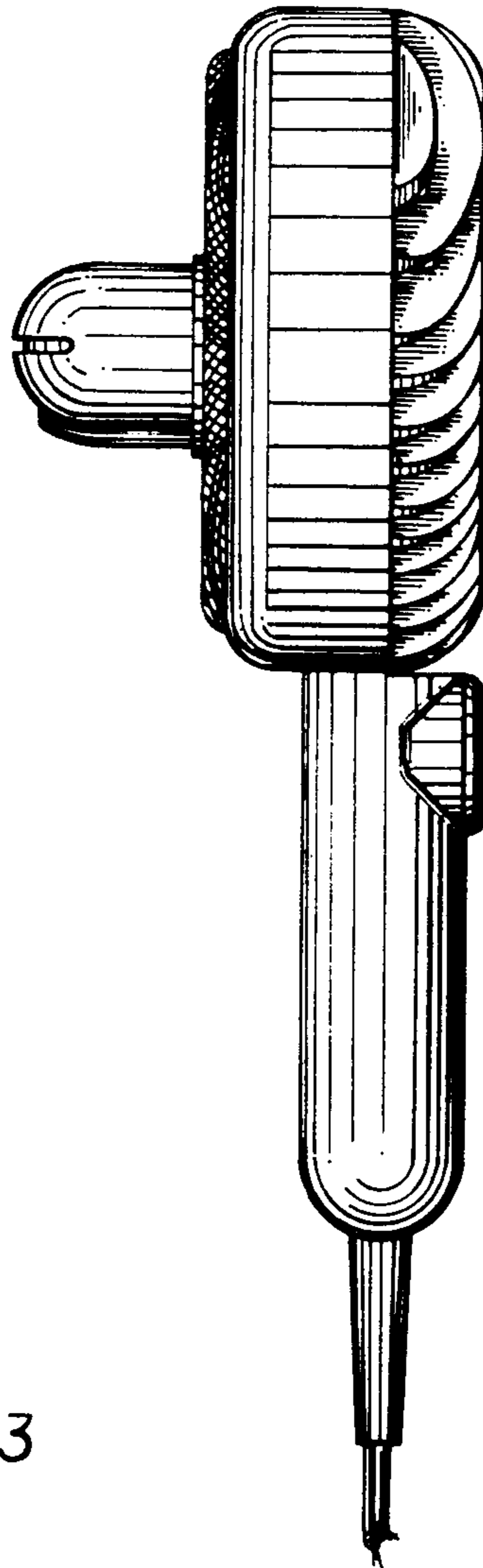
The cord is depicted only partially for convenience of illustration.



*Fig. 1*



*Fig. 2*



*Fig. 3*

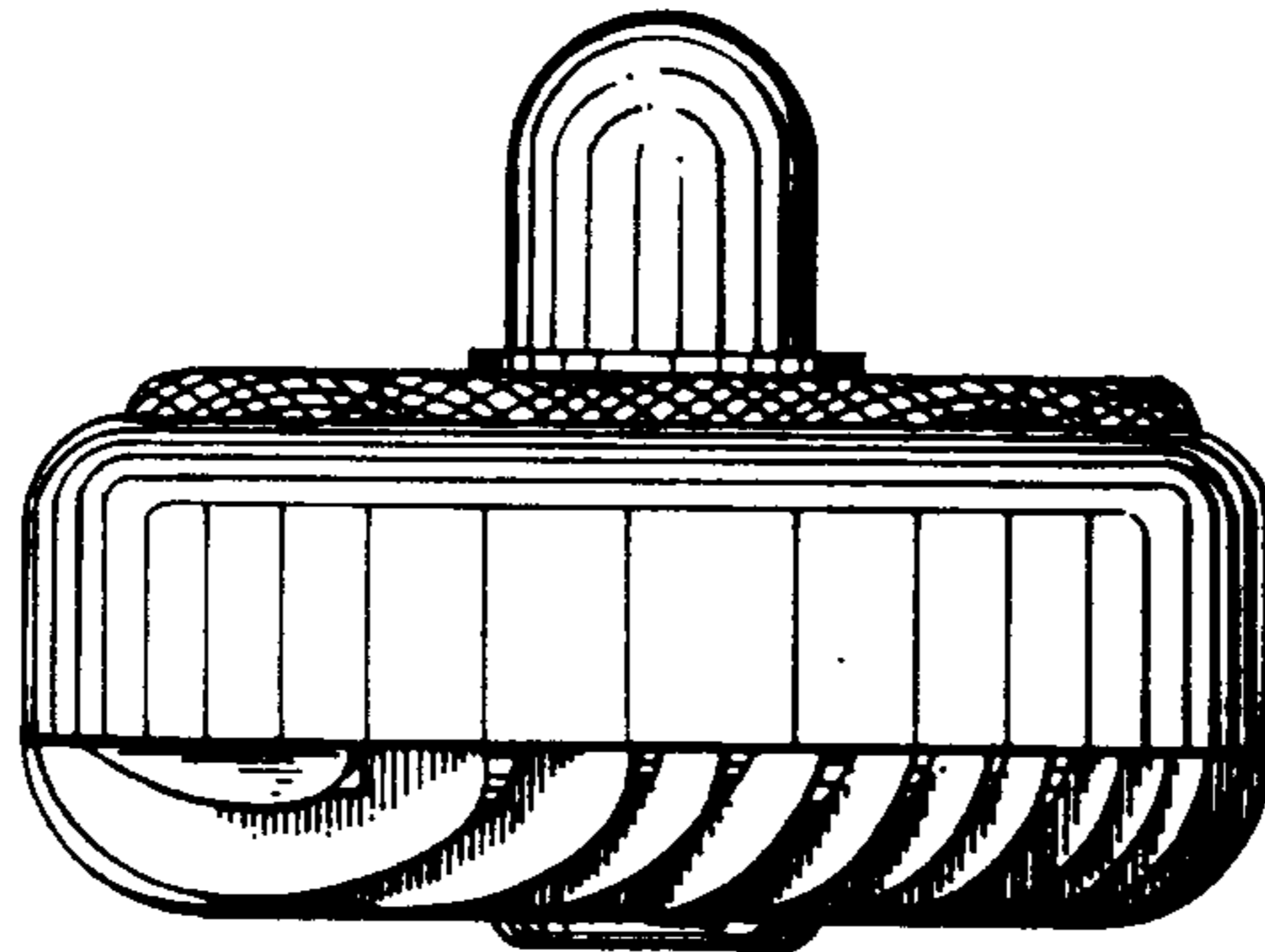


Fig. 4

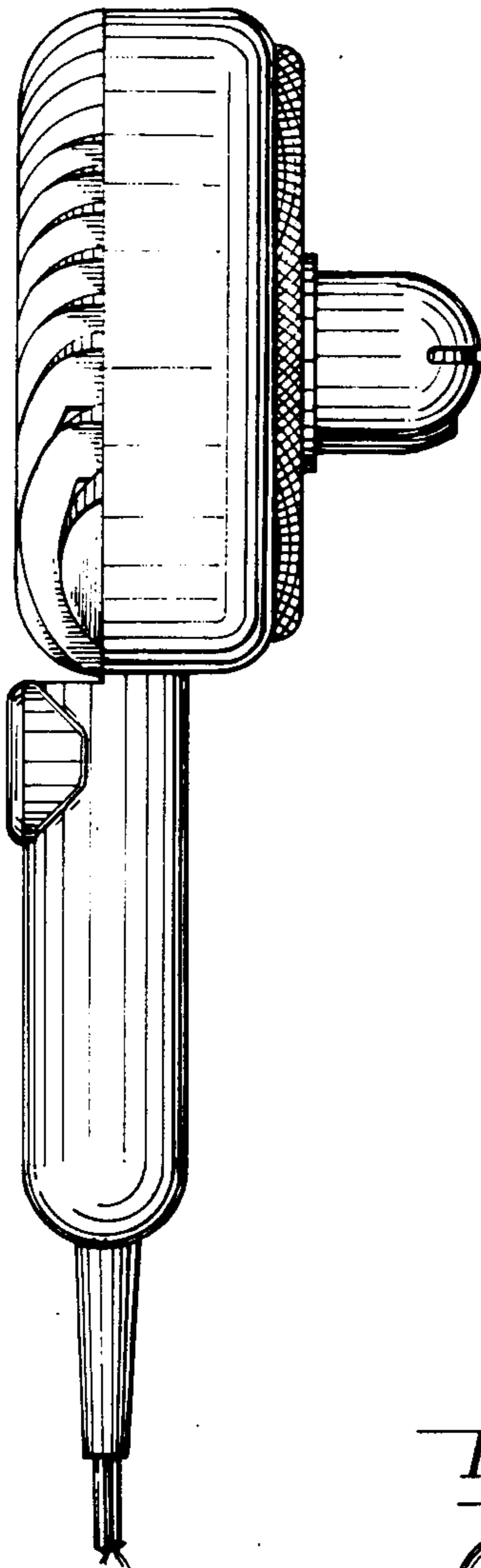


Fig. 5

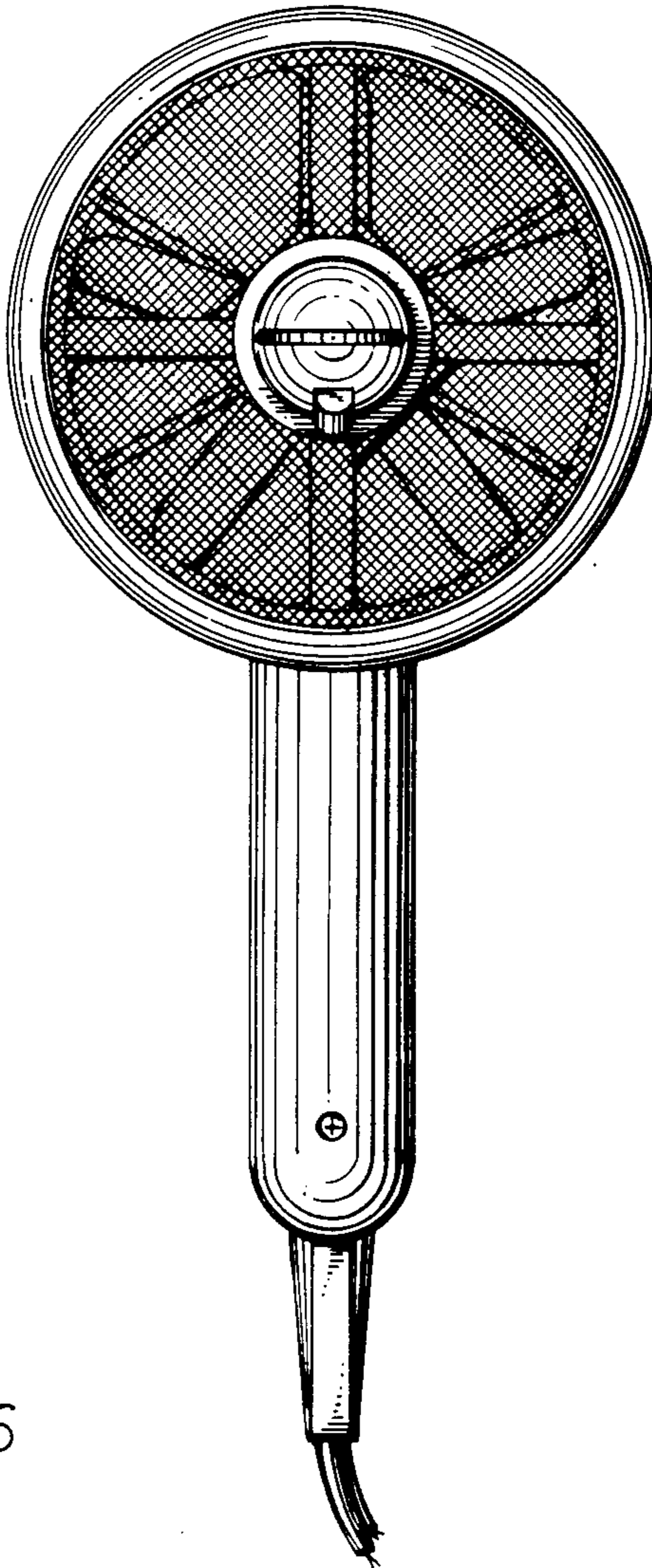


Fig. 6

