

[54] **DISINFECTOR CASING FOR CONTACT LENS OR THE LIKE**

[75] Inventors: **Michael D. Thomas**, Arab, Ala.;
Francis E. Ryder, Barrington, Ill.

[73] Assignee: **Ryder International Corporation**, Arab, Ala.

[**] Term: **14 Years**

[21] Appl. No.: **951,055**

[22] Filed: **Oct. 12, 1978**

[51] Int. Cl. **D24-01**
[52] U.S. Cl. **D24/9**
[58] Field of Search **D23/146-150;**
D24/9; 219/441, 521, 539; 422/28, 30, 116, 117,
211, 236, 292

[56] **References Cited**

U.S. PATENT DOCUMENTS

D. 197,405	1/1964	Weber	D23/150
D. 211,962	8/1968	Soles	D23/150
D. 214,771	7/1969	Braund	D24/9
D. 226,433	3/1973	Hill	D23/148

D. 233,435	10/1974	Kirby	D23/150
D. 236,122	7/1975	Numbers	D23/150
D. 248,567	7/1978	Ward	D24/9
2,942,786	6/1960	Wenner et al.	239/57 X
3,150,800	11/1962	Weber	D23/150 X
3,885,738	5/1975	Chesmel et al.	239/44
3,998,590	12/1976	Glorieux	422/117
4,013,410	3/1977	Thomas et al.	422/30
4,143,116	3/1979	Meltzer	422/292 X
4,158,126	6/1979	Seitz	219/521 X

Primary Examiner—James R. Largen

Attorney, Agent, or Firm—Richard R. Trexler

[57] **CLAIM**

The ornamental design for a disinfector casing for contact lens or the like, substantially as shown and described.

DESCRIPTION

FIG. 1 is a perspective view of a disinfector casing for contact lens or the like showing our new design; FIG. 2 is a top plan view thereof; FIG. 3 is a rear elevational view thereof; FIG. 4 is a front elevational view thereof; FIG. 5 is a right side elevational view thereof; and FIG. 6 is a left side elevational view thereof.

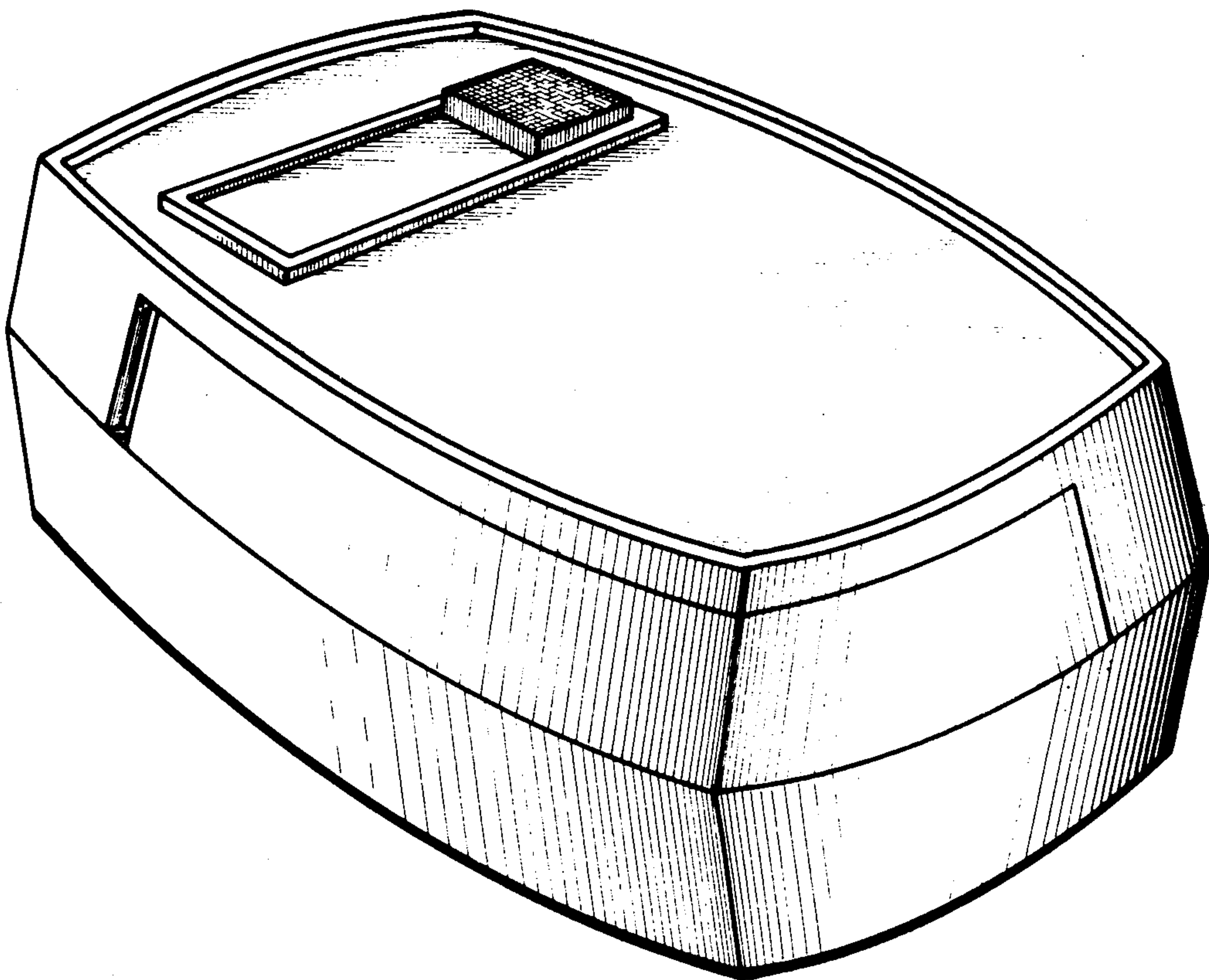


FIG. 1

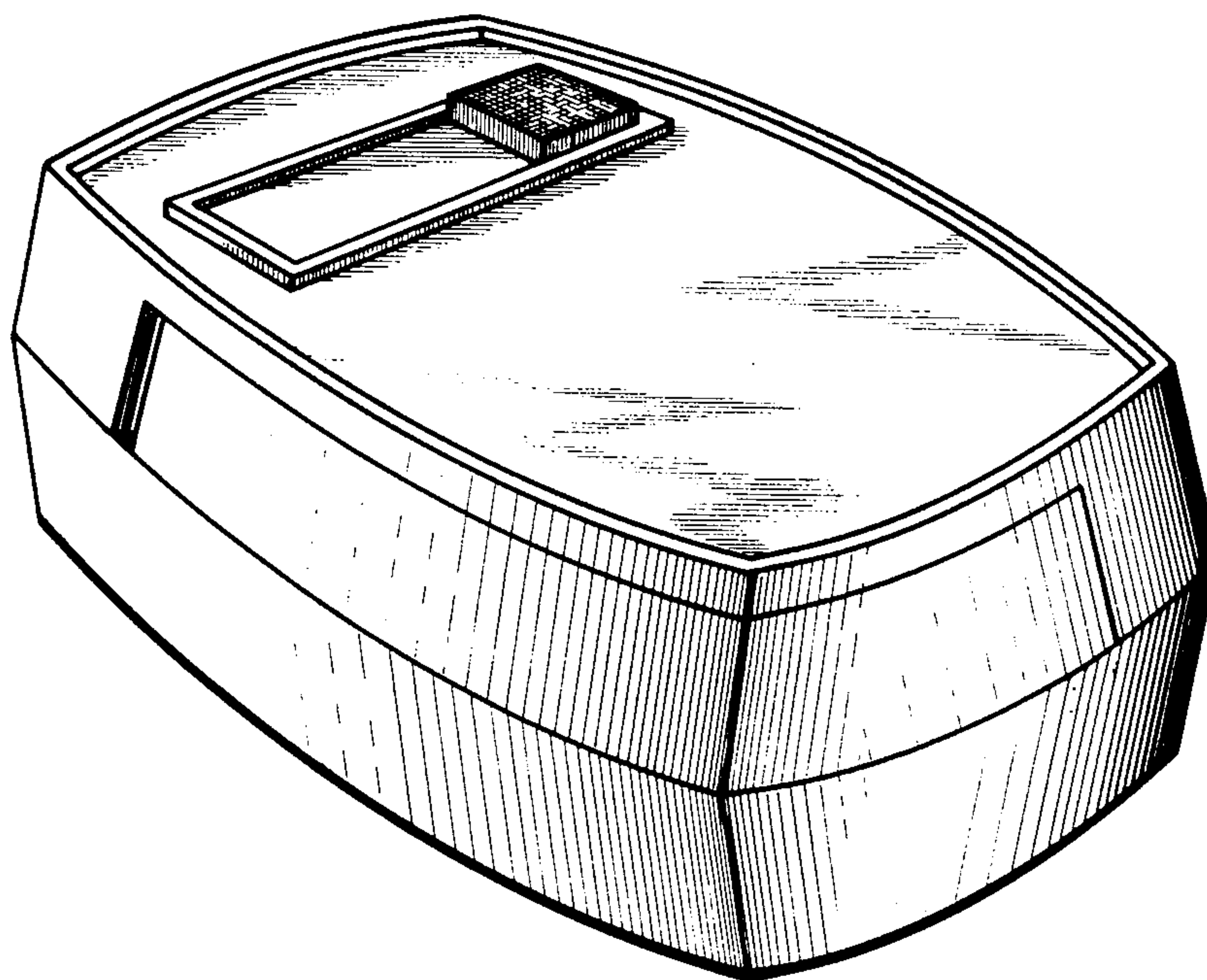


FIG. 2

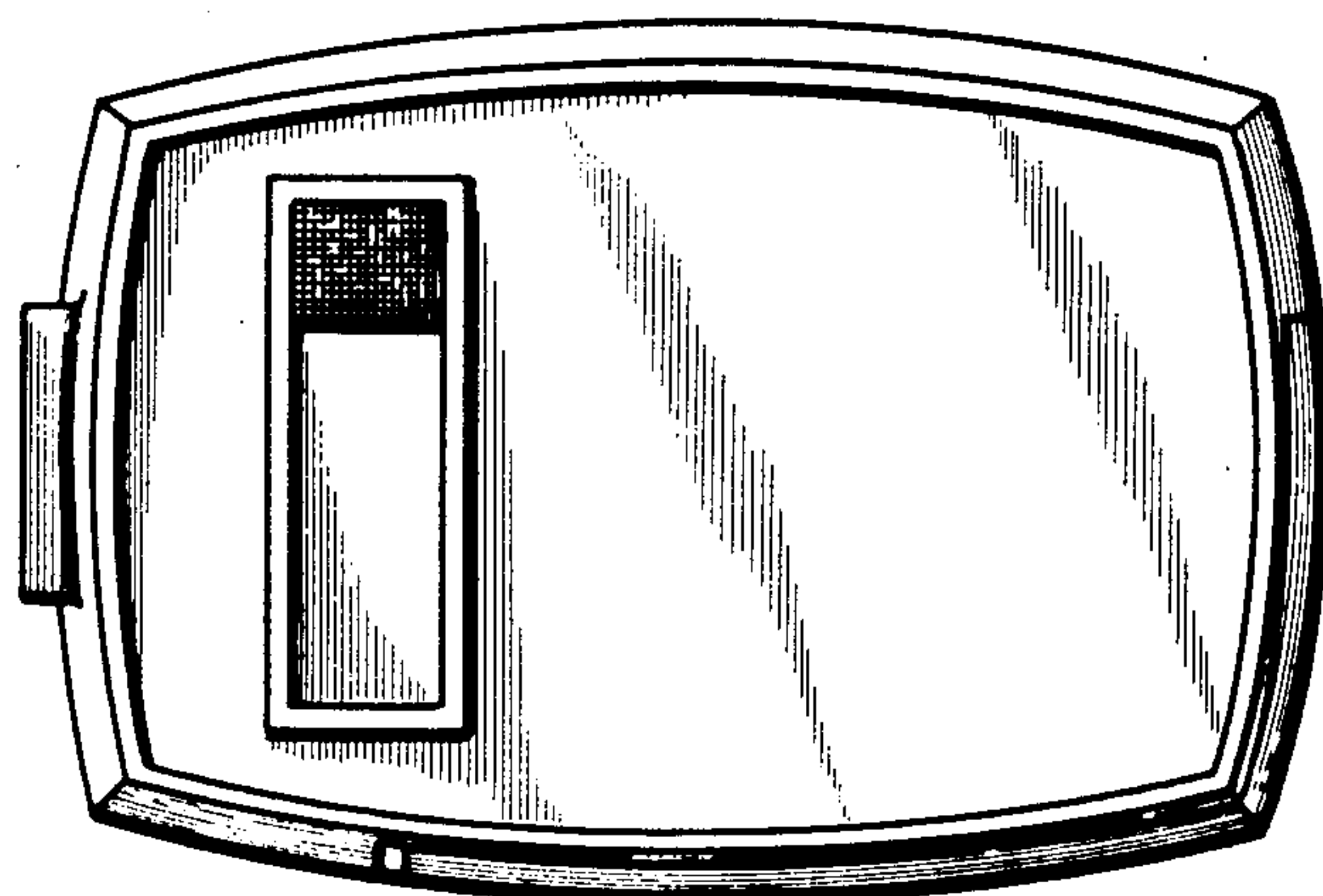


FIG. 3

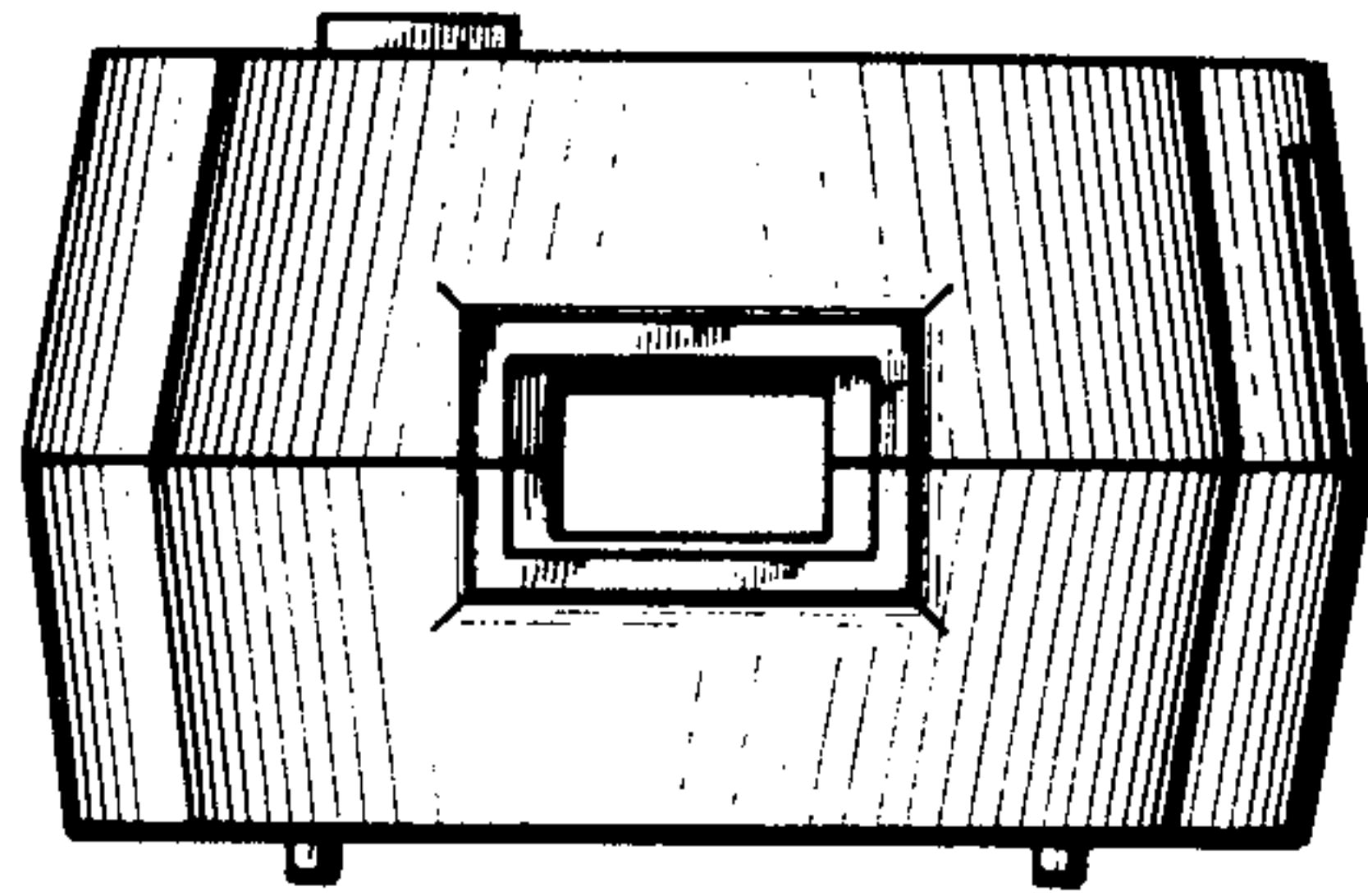


FIG. 4

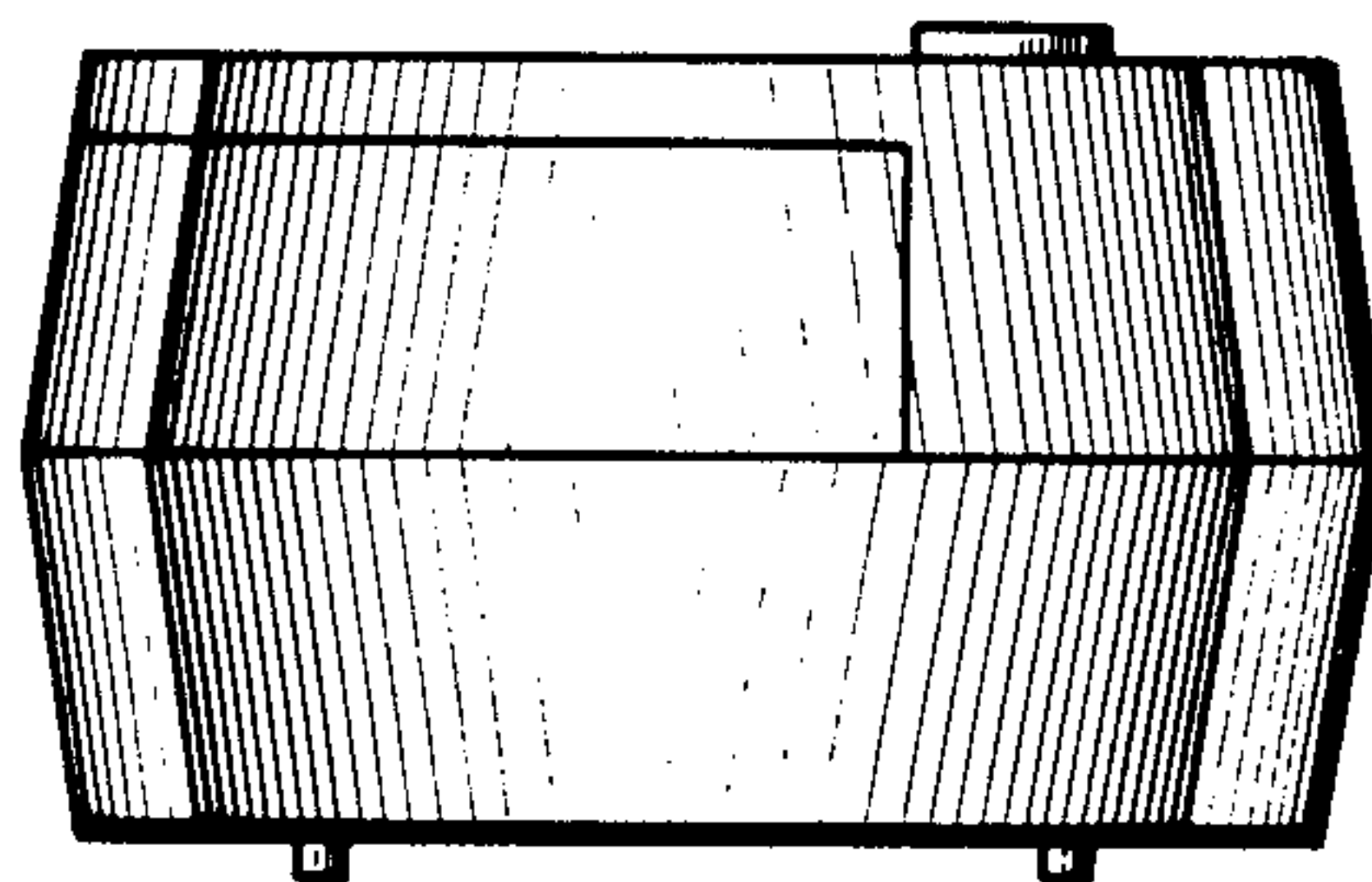


FIG. 5

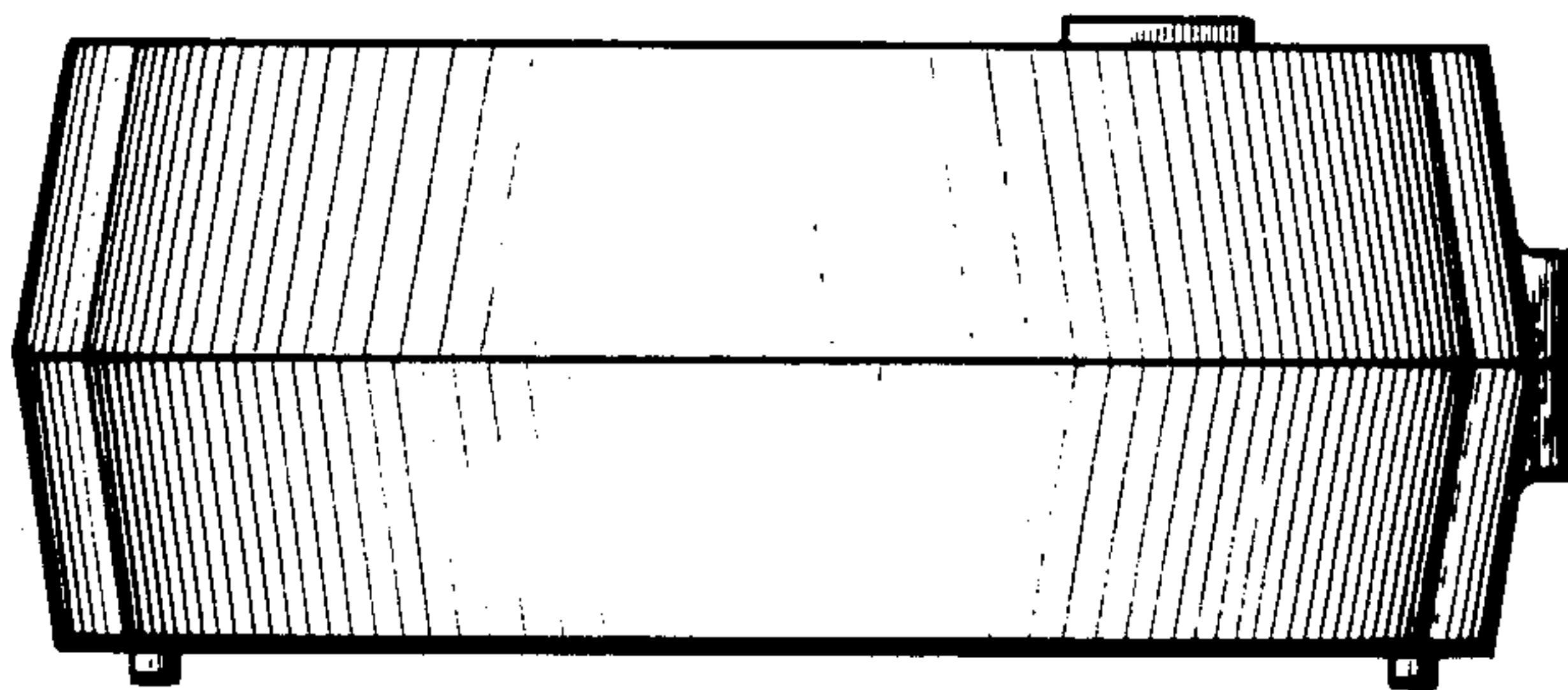


FIG. 6

