

[54] **STERILIZER UNIT**

[75] Inventor: **Michael D. Thomas**, Arab, Ala.

[73] Assignee: **Ryder International Corporation**, Arab, Ala.

[**] Term: **14 Years**

[21] Appl. No.: **879,623**

[22] Filed: **Feb. 21, 1978**

[51] Int. Cl. **24-02**

[52] U.S. Cl. **D24/9**

[58] Field of Search **D24/9; 422/243, 297, 422/300, 302; D16/48, 82, 83**

[56] **References Cited**

U.S. PATENT DOCUMENTS

- D. 243,287 2/1977 Hoogesteger D24/9
- D. 243,556 3/1977 Thomas et al. D24/9

Primary Examiner—Sam Rosen

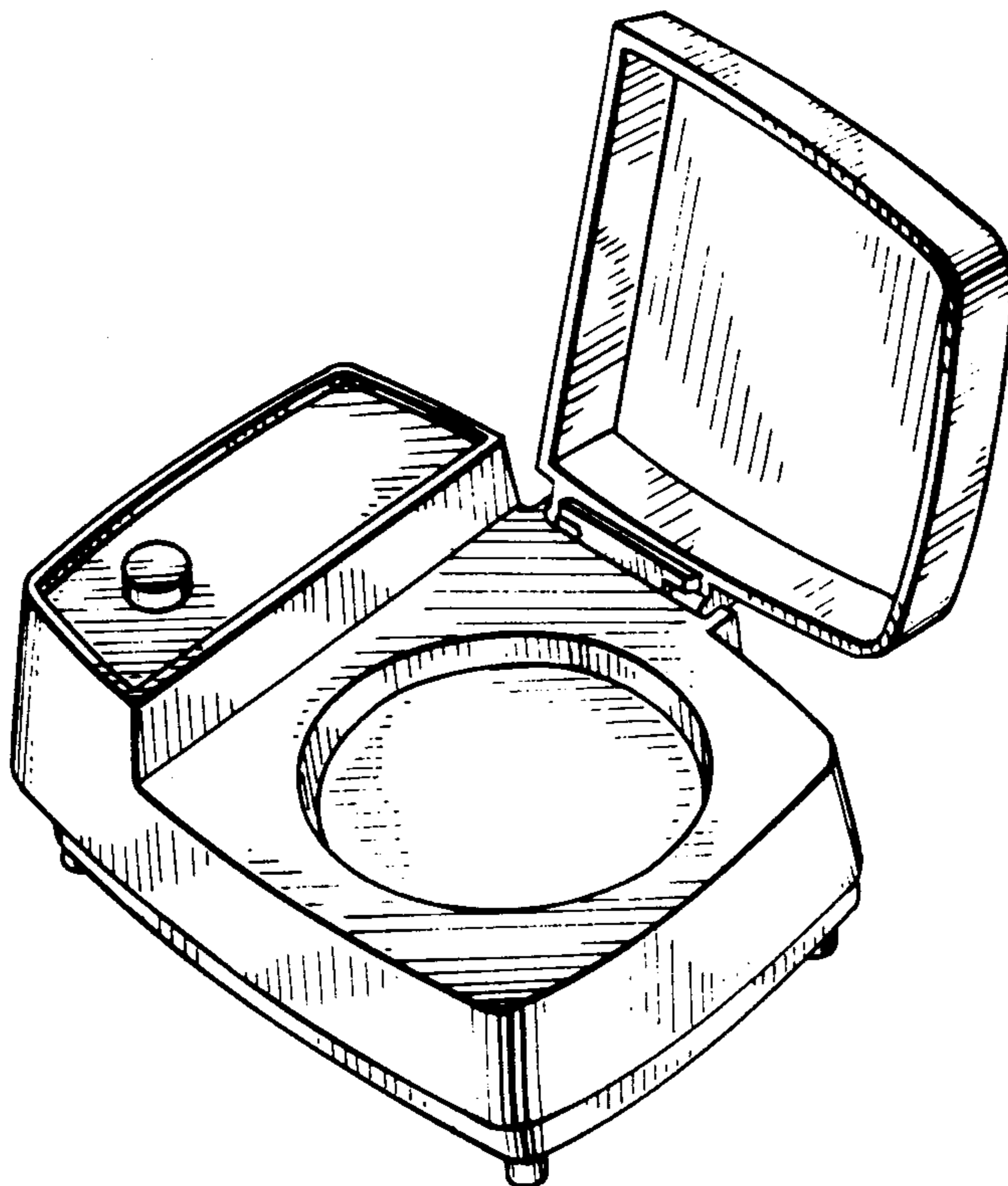
Attorney, Agent, or Firm—Richard R. Trexler

[57] **CLAIM**

The ornamental design for a sterilizer unit, substantially as shown and described.

DESCRIPTION

FIG. 1 is a perspective view of my new sterilizer unit design, with the cover in the open position;
 FIG. 2 is a view similar to FIG. 1, but with the unit cover in the closed position;
 FIG. 3 is a right side elevational view of my sterilizer unit, as viewed in the condition of FIG. 2;
 FIG. 4 is a left side elevational view of my sterilizer unit, in the closed condition of FIG. 2;
 FIG. 5 is a front elevational view of my unit in the condition of FIG. 2;
 FIG. 6 is a top plan view, with the cover closed;
 FIG. 7 is a rear elevational view of my sterilizer unit;
 and
 FIG. 8 is a bottom plan view of the unit.



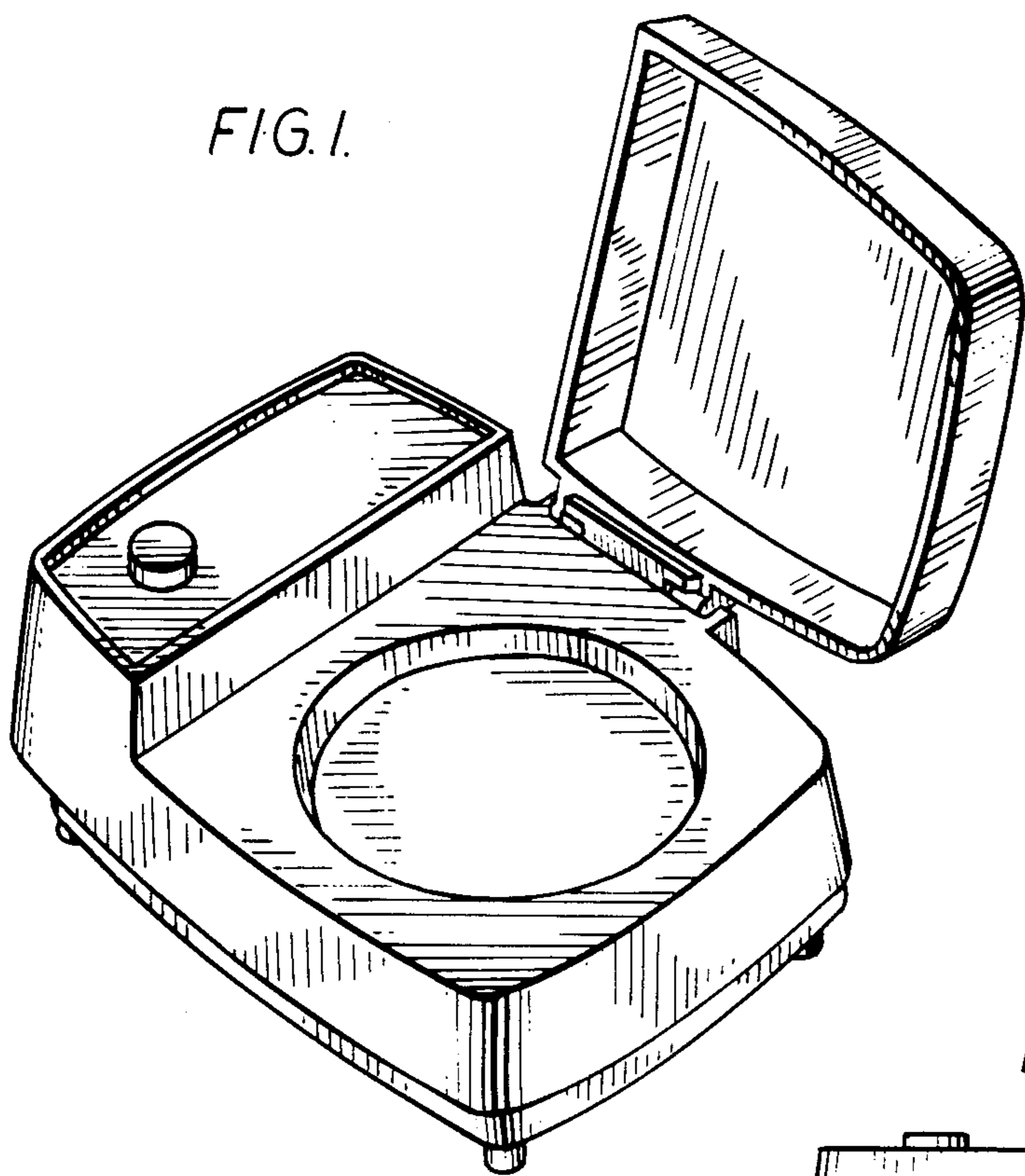


FIG. 2.

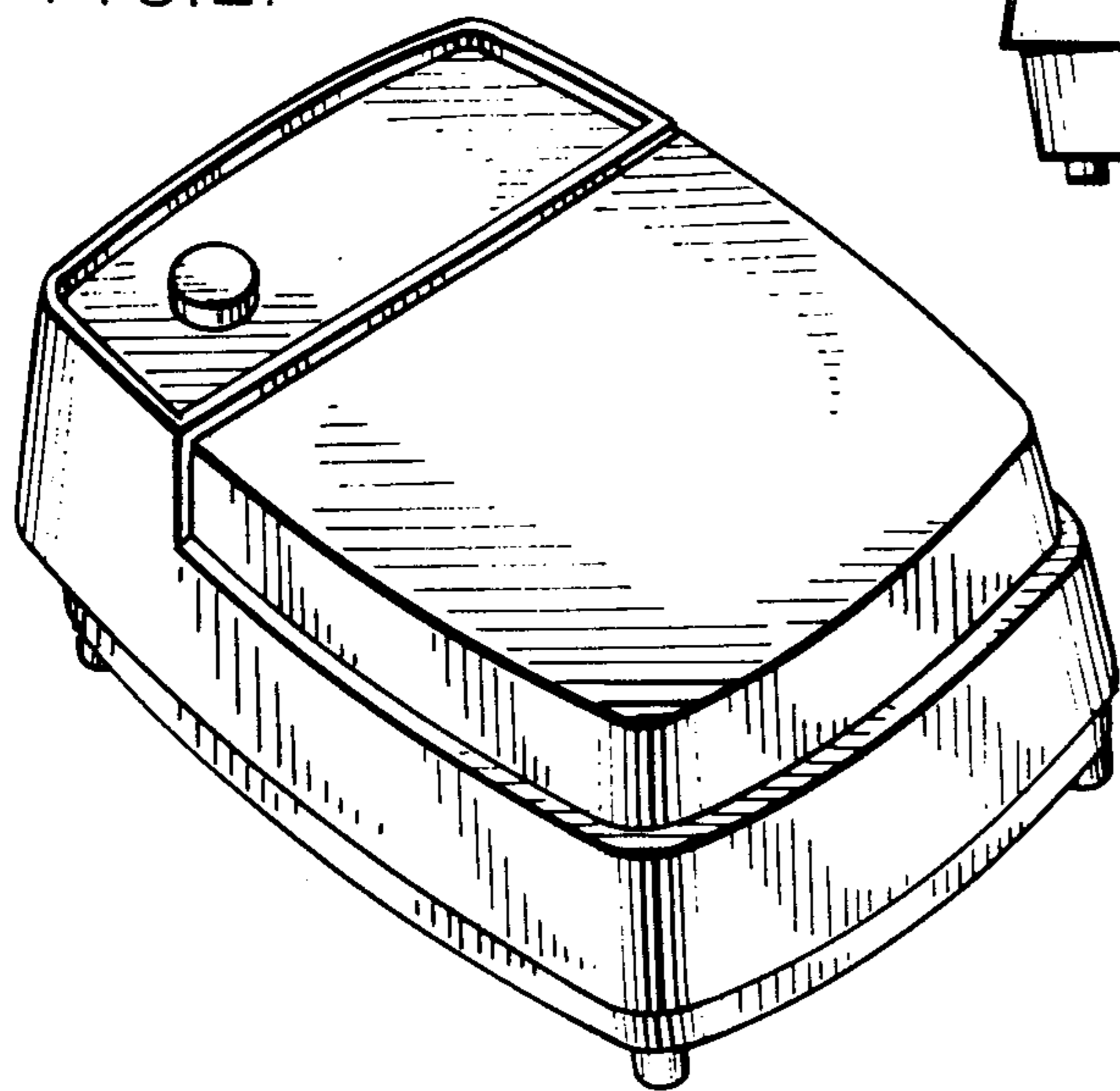


FIG. 3.

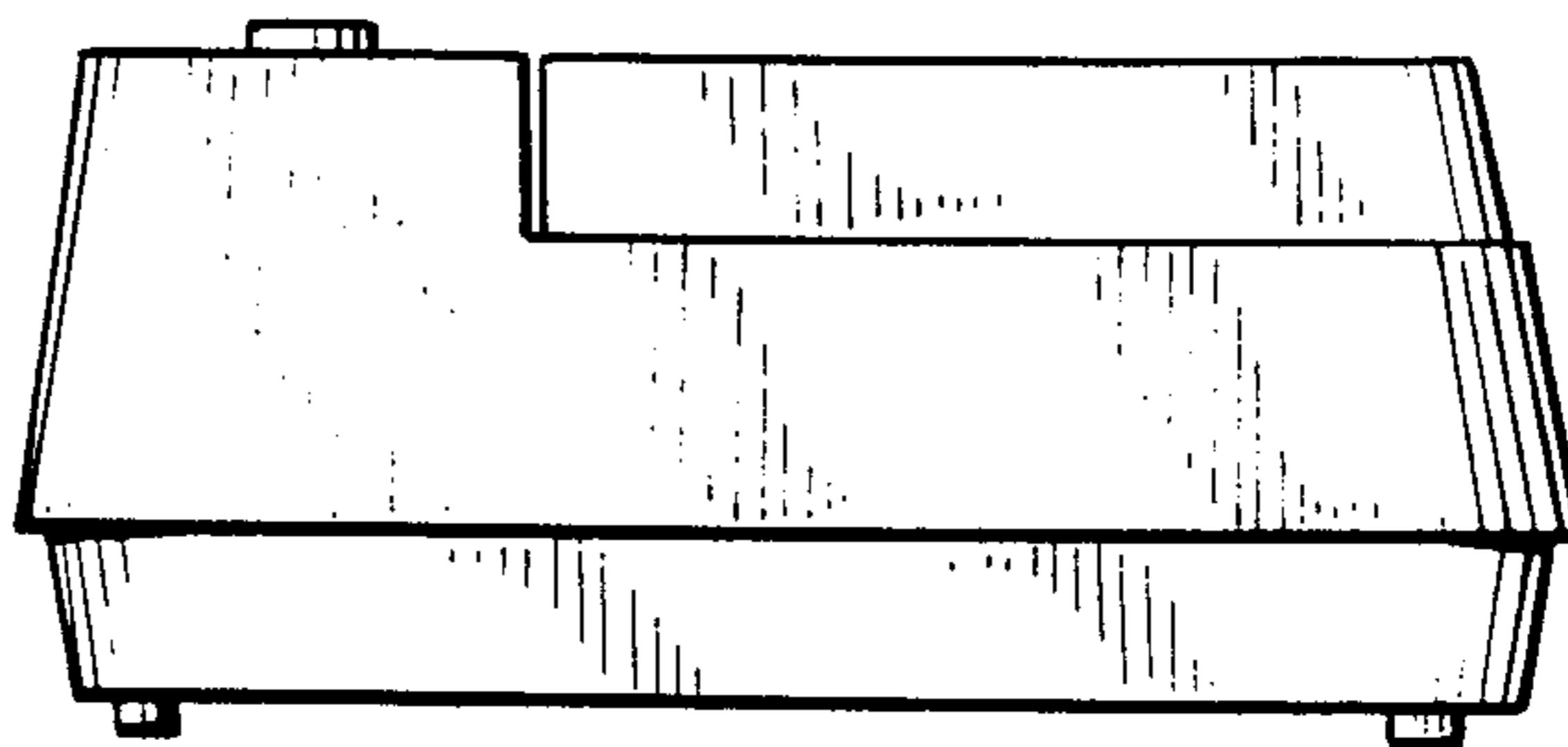


FIG. 4.

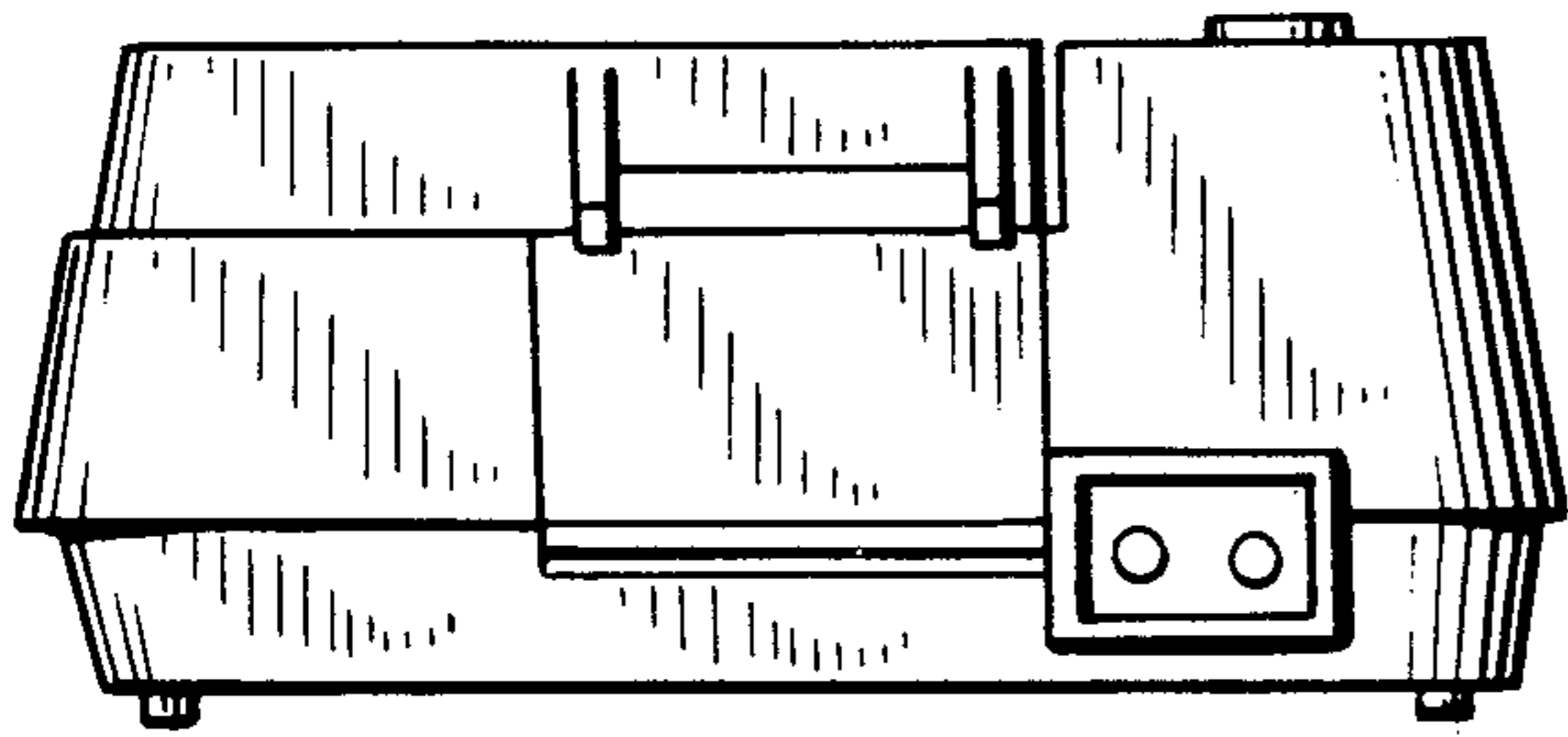


FIG. 5.

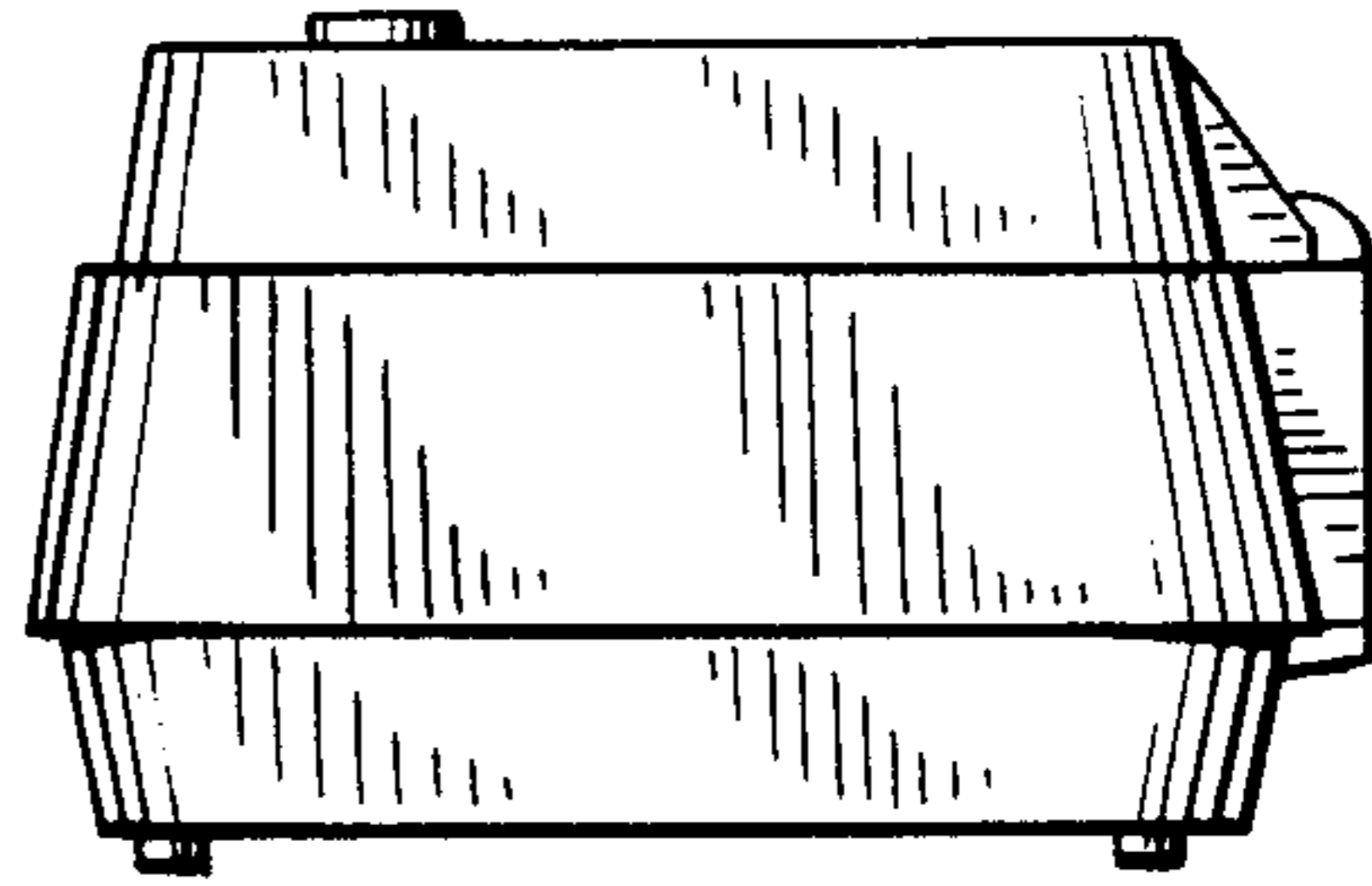


FIG. 6.

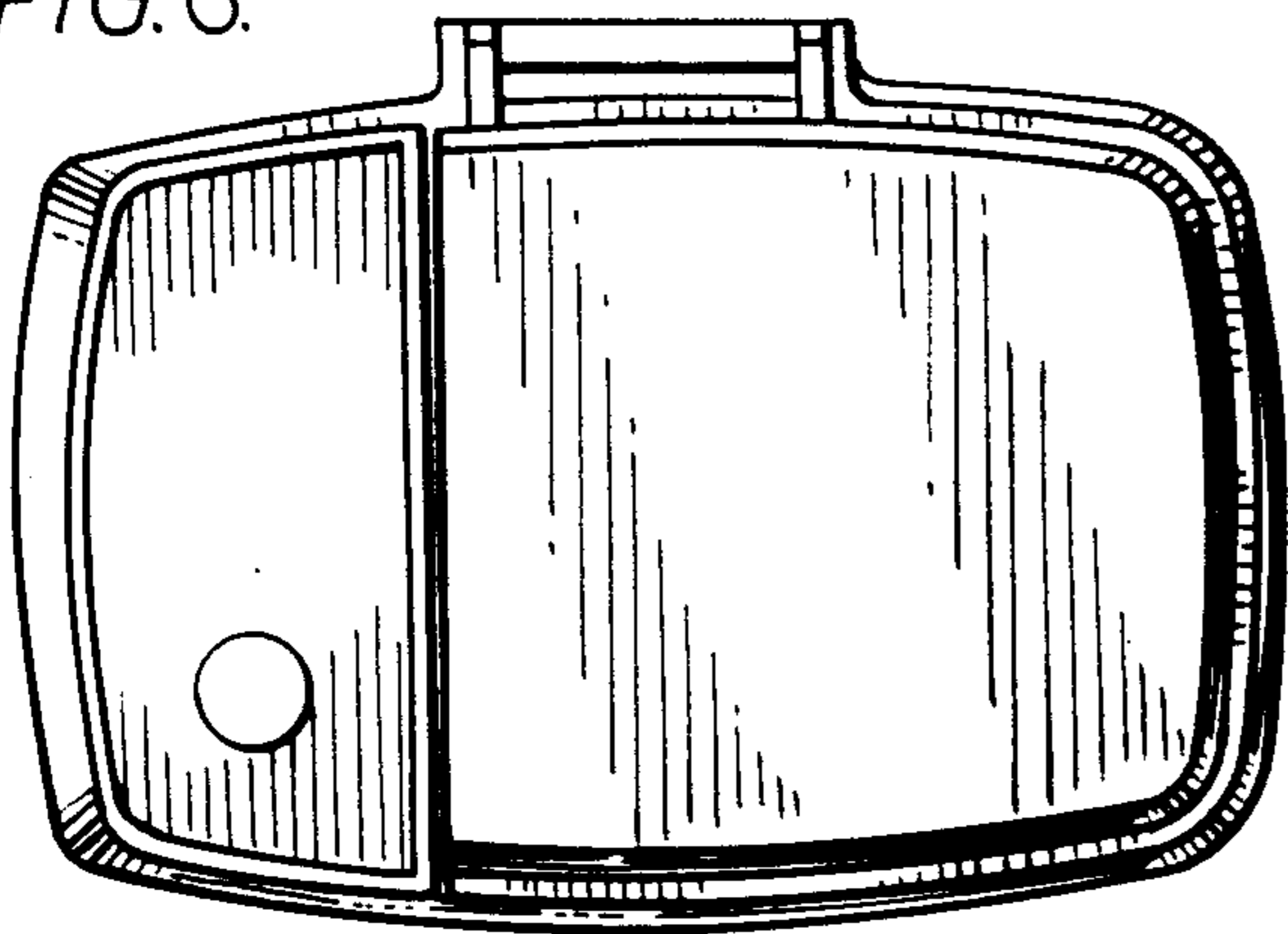


FIG. 7.

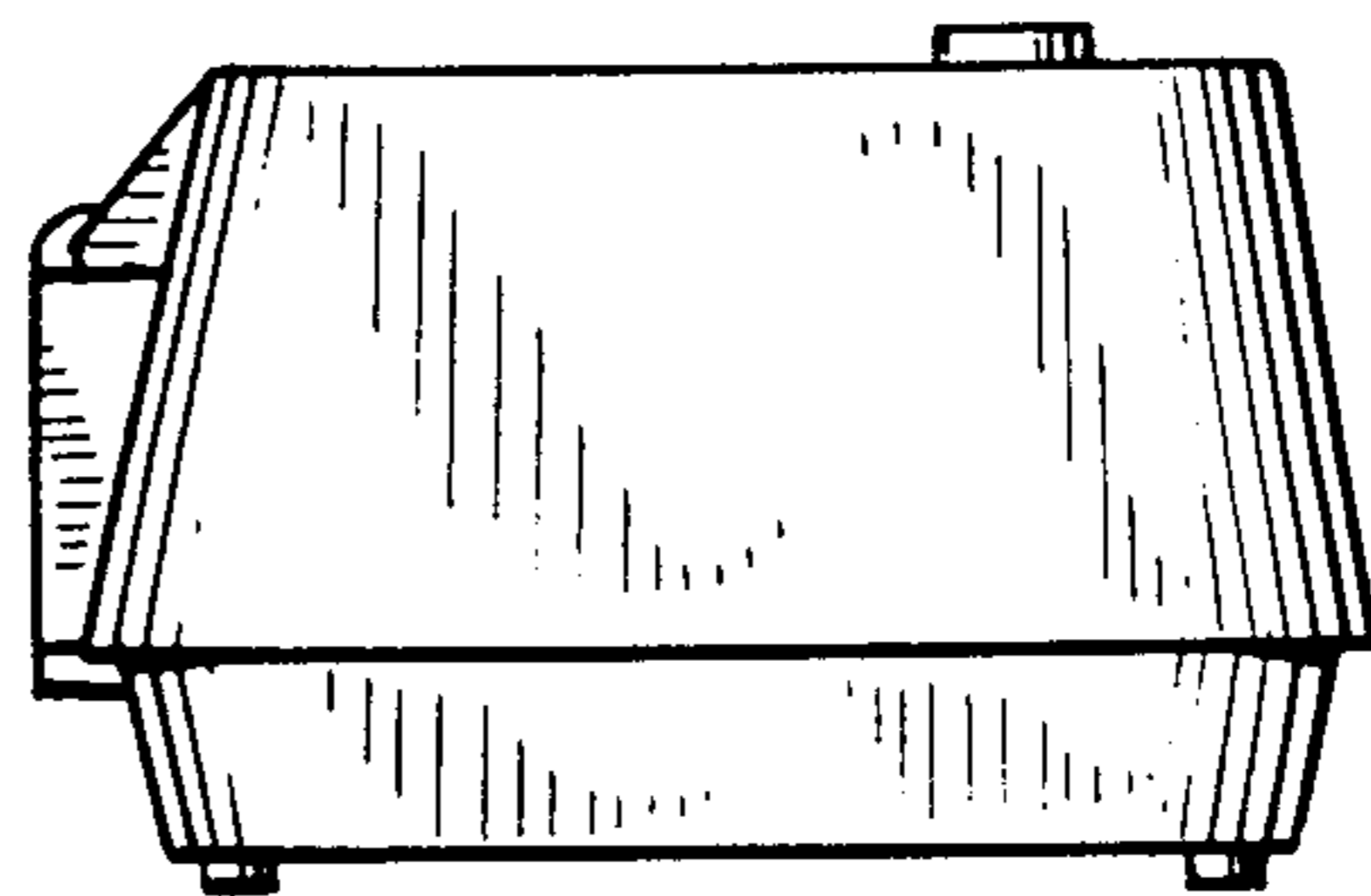


FIG. 8.

