

[54] GAME RACKET THROAT PIECE
 [75] Inventor: Charles A. Drake, San Diego, Calif.
 [73] Assignee: Leach Industries
 [**] Term: 14 Years
 [21] Appl. No.: 10,293
 [22] Filed: Feb. 8, 1979
 [51] Int. Cl. D21-02
 [52] U.S. Cl. D21/212
 [58] Field of Search D21/212; 273/73 G, 73 H,
 273/73 F, 73 R

The Sporting Goods Dealer, May 1978, p. 135, right, Starmaster, Racket.

Primary Examiner—Melvin B. Feifer
Attorney, Agent, or Firm—Herbert S. Sylvester

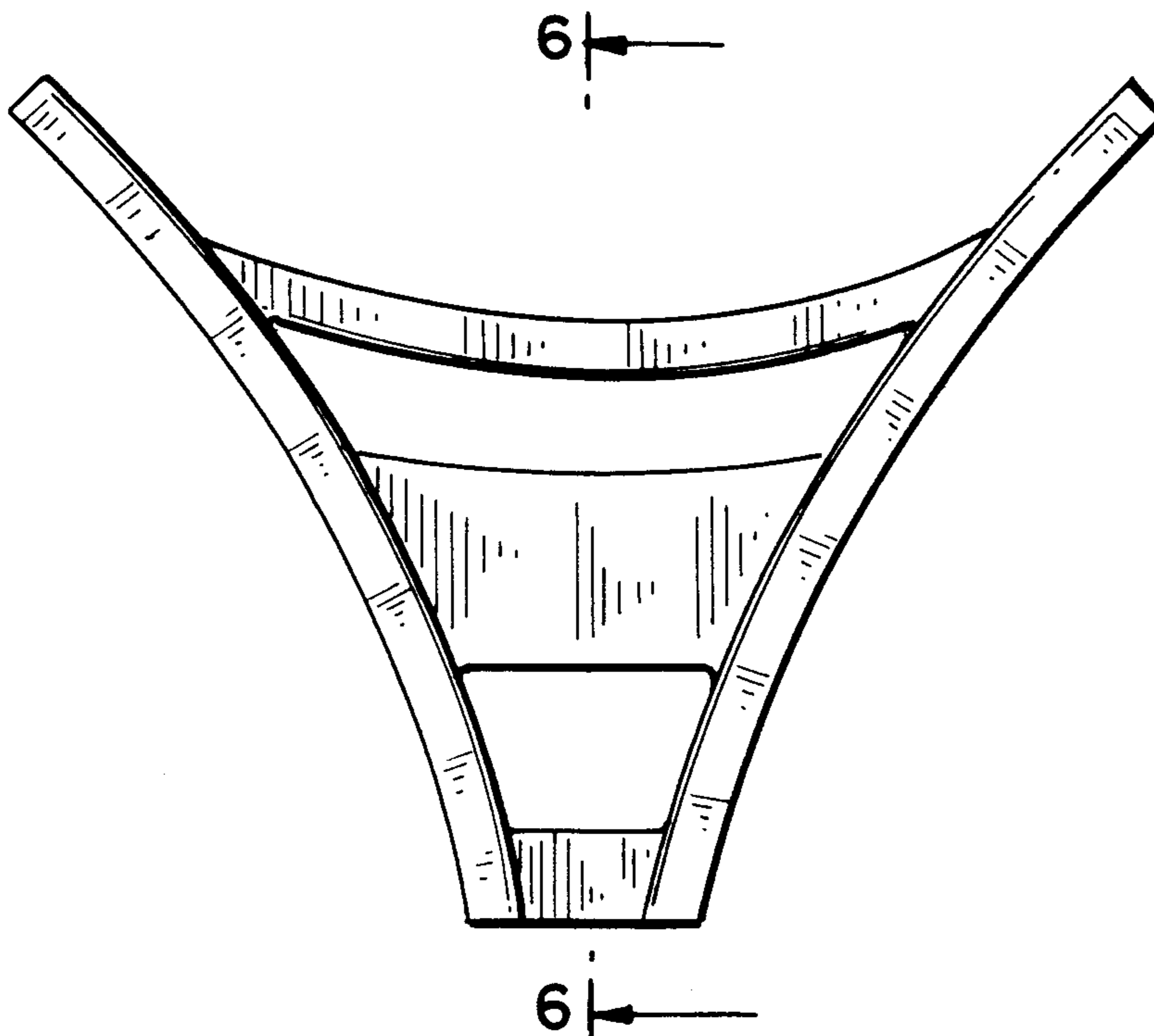
[57] CLAIM

The ornamental design for a game racket throat piece, as shown and described.

DESCRIPTION

FIG. 1 is a front elevational view of a game racket throat piece showing my new design, the rear elevational view being substantially the same. The broken line showing of a racket is for illustrative purposes only. FIG. 2 is an enlarged front elevational view thereof; FIG. 3 is a top plan view thereof; FIG. 4 is a bottom plan view thereof; FIG. 5 is a left side elevational view thereof, the right side elevational view being substantially the same; FIG. 6 is a cross sectional view thereof, taken along line 6-6 of FIG. 1.

[56] References Cited
 PUBLICATIONS
 The Sporting Goods Dealer, Jul. 1976, back page, lower left, Racket.



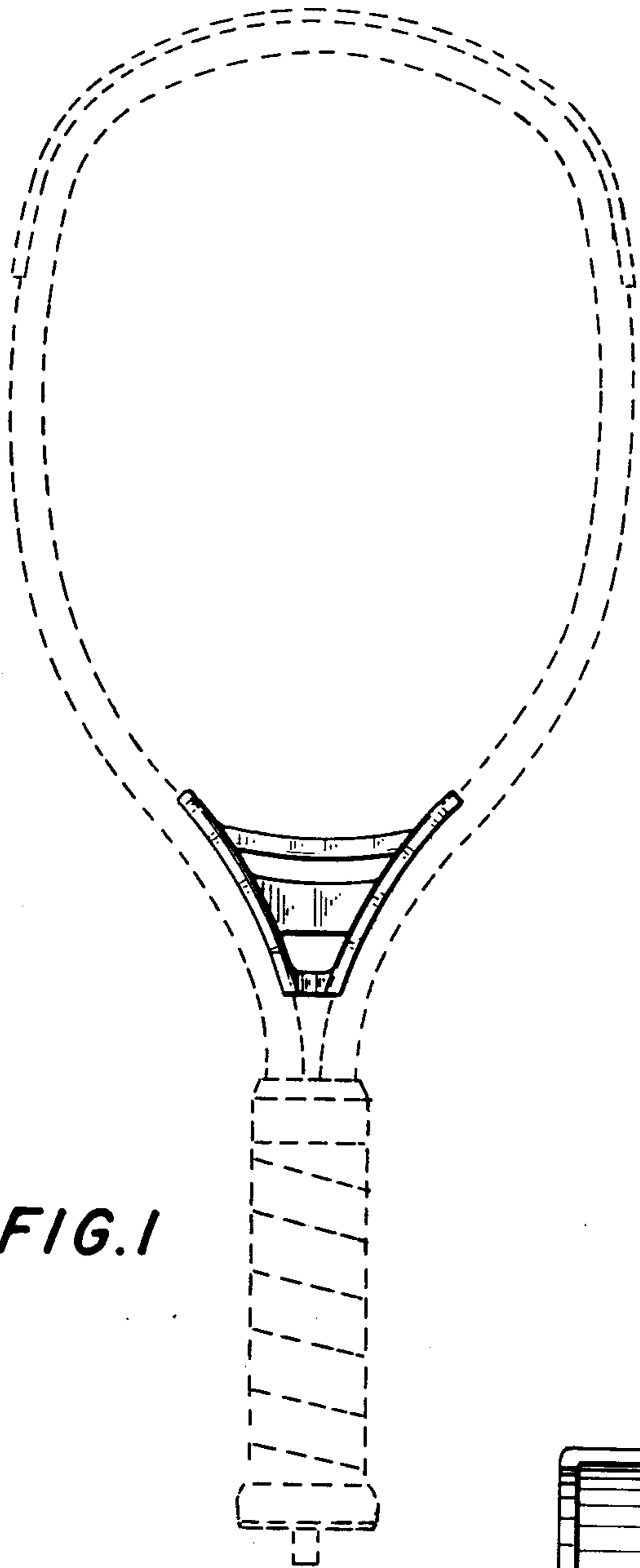


FIG. 1

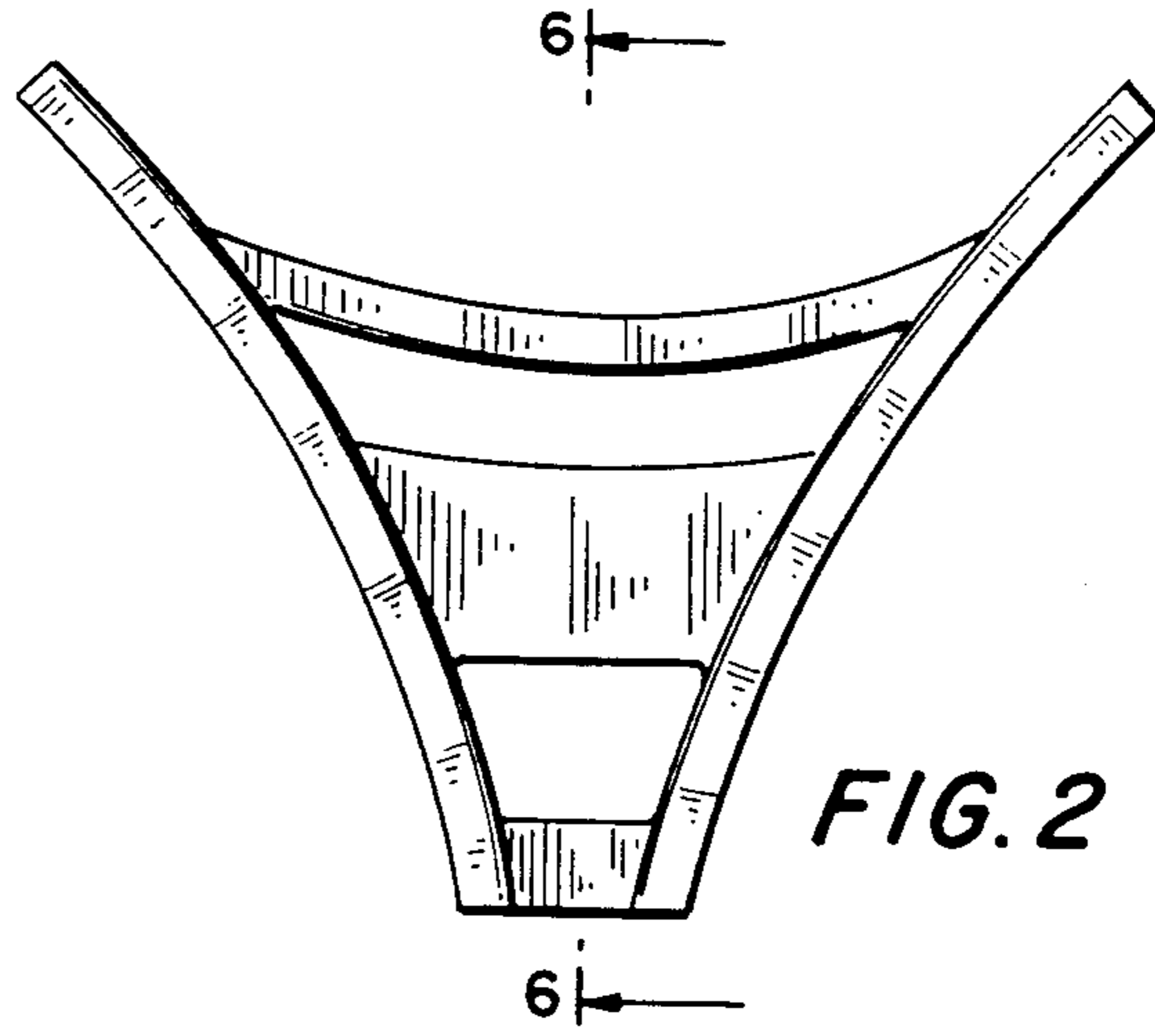


FIG. 2

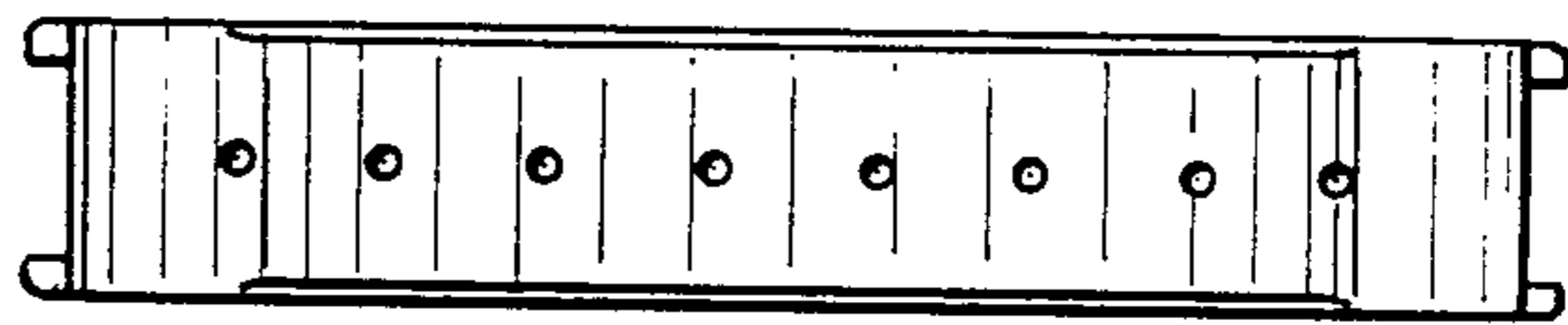


FIG. 3

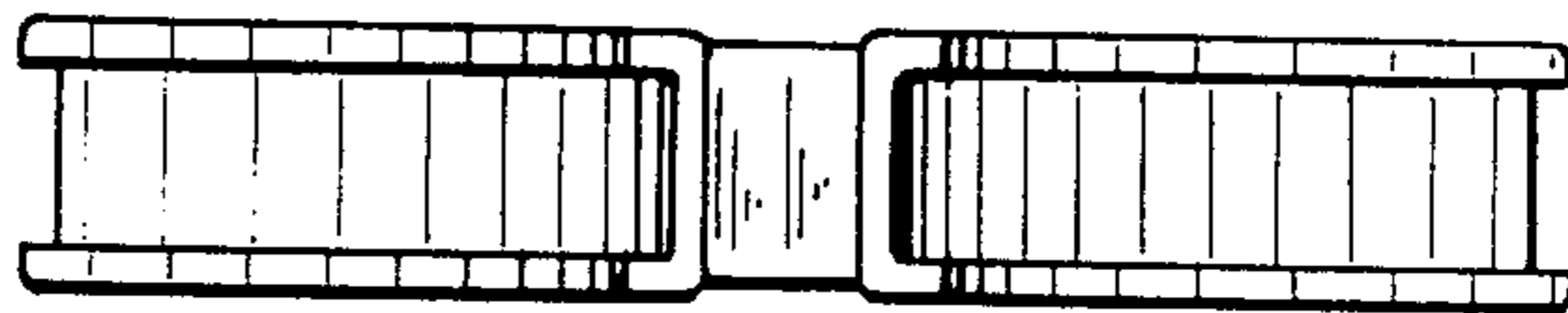


FIG. 4

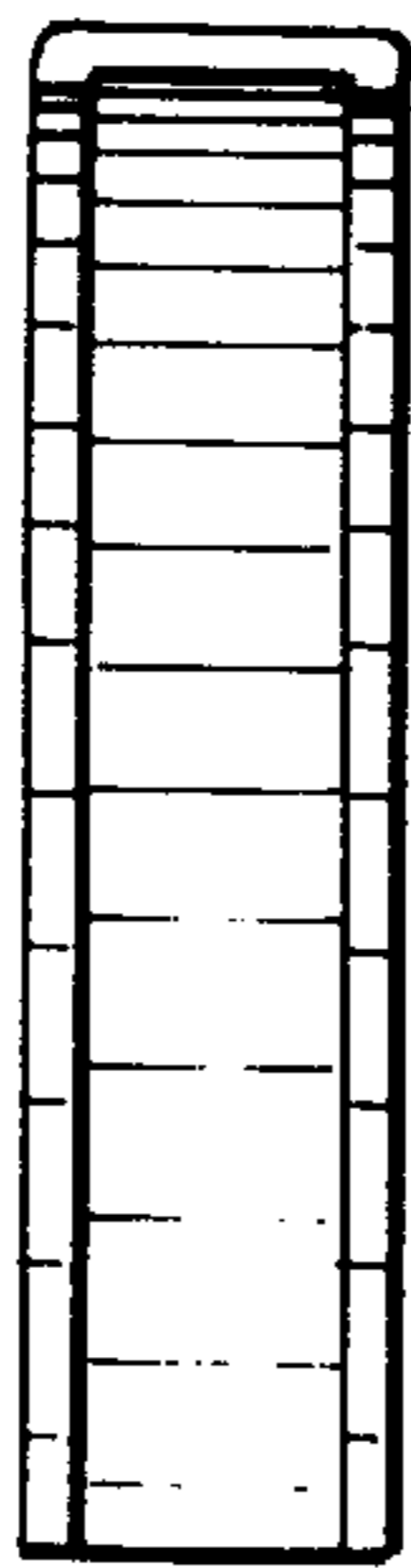


FIG. 5

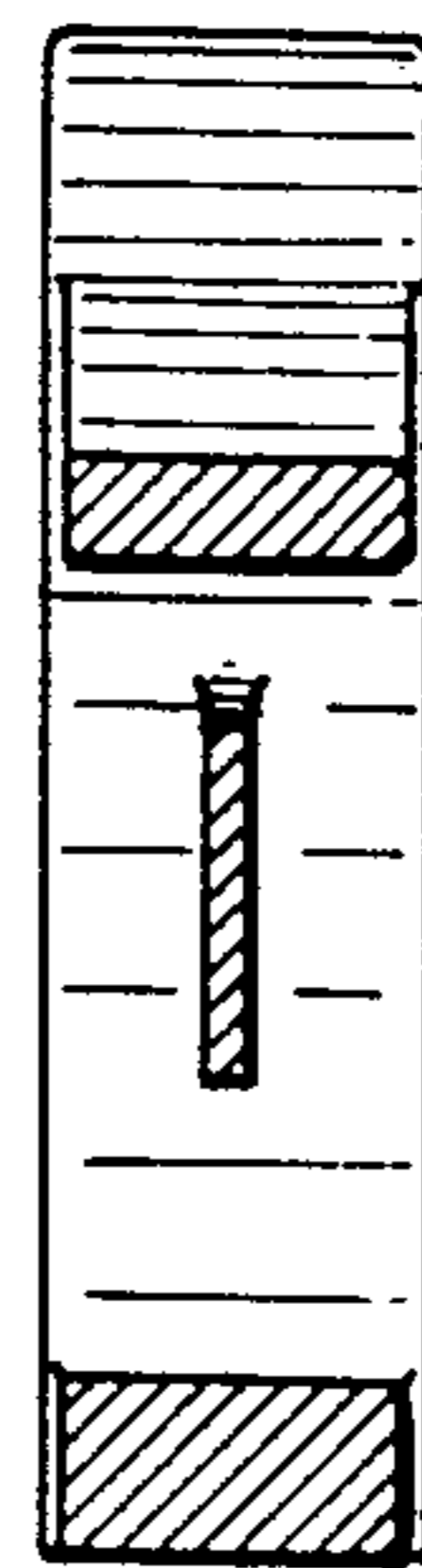


FIG. 6