

[54] GAME RACKET THROAT PIECE

[75] Inventor: Charles A. Drake, San Diego, Calif.

[73] Assignee: Leach Industries

[**] Term: 14 Years

[21] Appl. No.: 10,332

[22] Filed: Feb. 8, 1979

[51] Int. Cl. D21-02

[52] U.S. Cl. D21/212

[58] Field of Search D21/212; 273/73 G, 73 H, 273/73 F, 73 R

[56] References Cited
PUBLICATIONS

The Sporting Goods Dealer, Jul. 1976, back page, lower left, Racket.

The Sporting Goods Dealer, May 1978, p. 135, right, Starmaster, Racket.

Primary Examiner—Melvin B. Feifer
Attorney, Agent, or Firm—Herbert S. Sylvester

[57] CLAIM

The ornamental design for a game racket throat piece, as shown and described.

DESCRIPTION

FIG. 1 is a front elevational view of a game racket throat piece showing my new design, the rear elevational view being substantially the same. The broken line showing of a racket is for illustrative purposes only. FIG. 2 is an enlarged front elevational view thereof; FIG. 3 is a top plan view thereof; FIG. 4 is a bottom plan view thereof; FIG. 5 is a left side elevational view thereof, the right side elevational view being substantially the same; FIG. 6 is a cross sectional view thereof, taken along line 6-6 of FIG. 1.

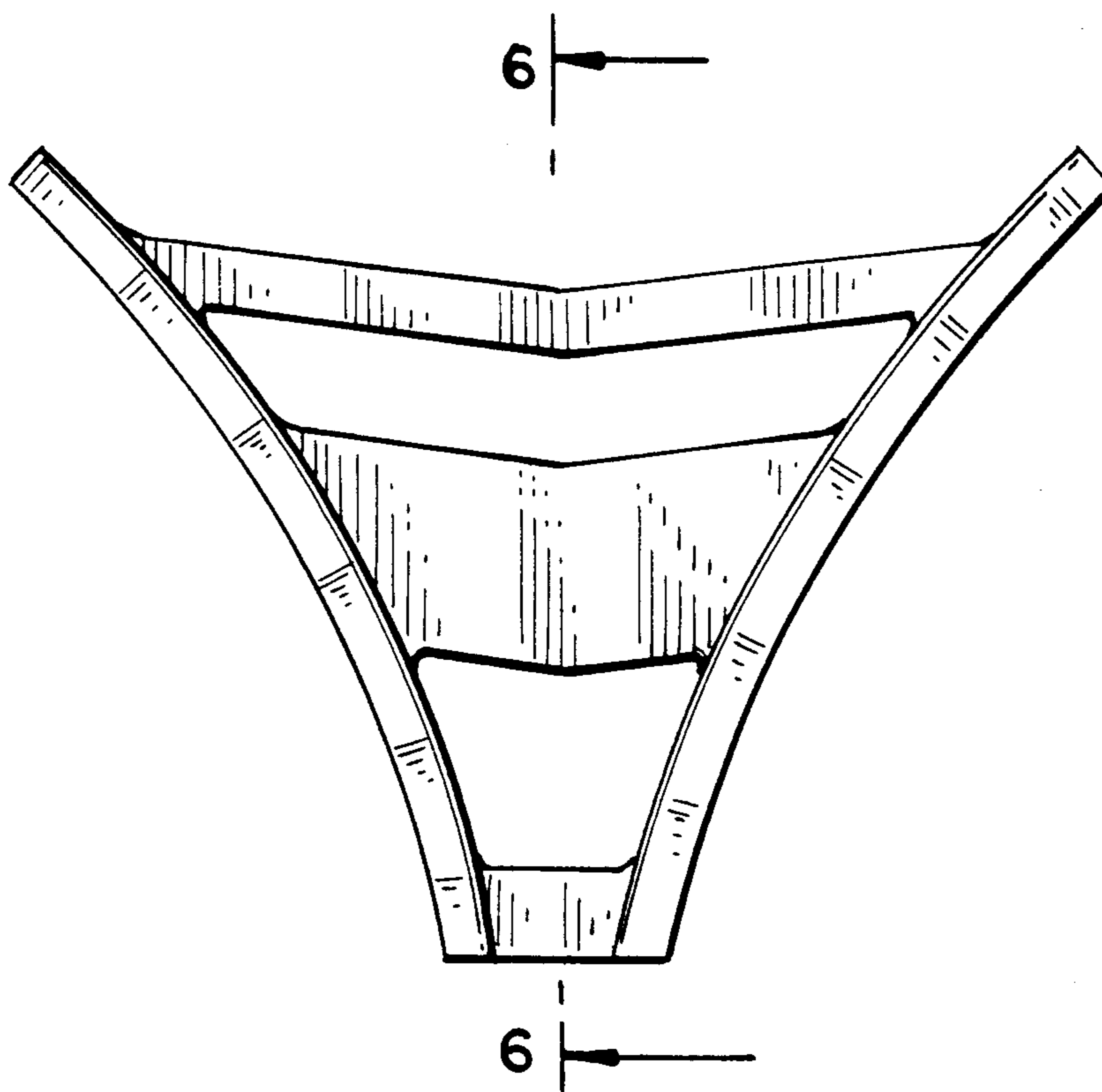
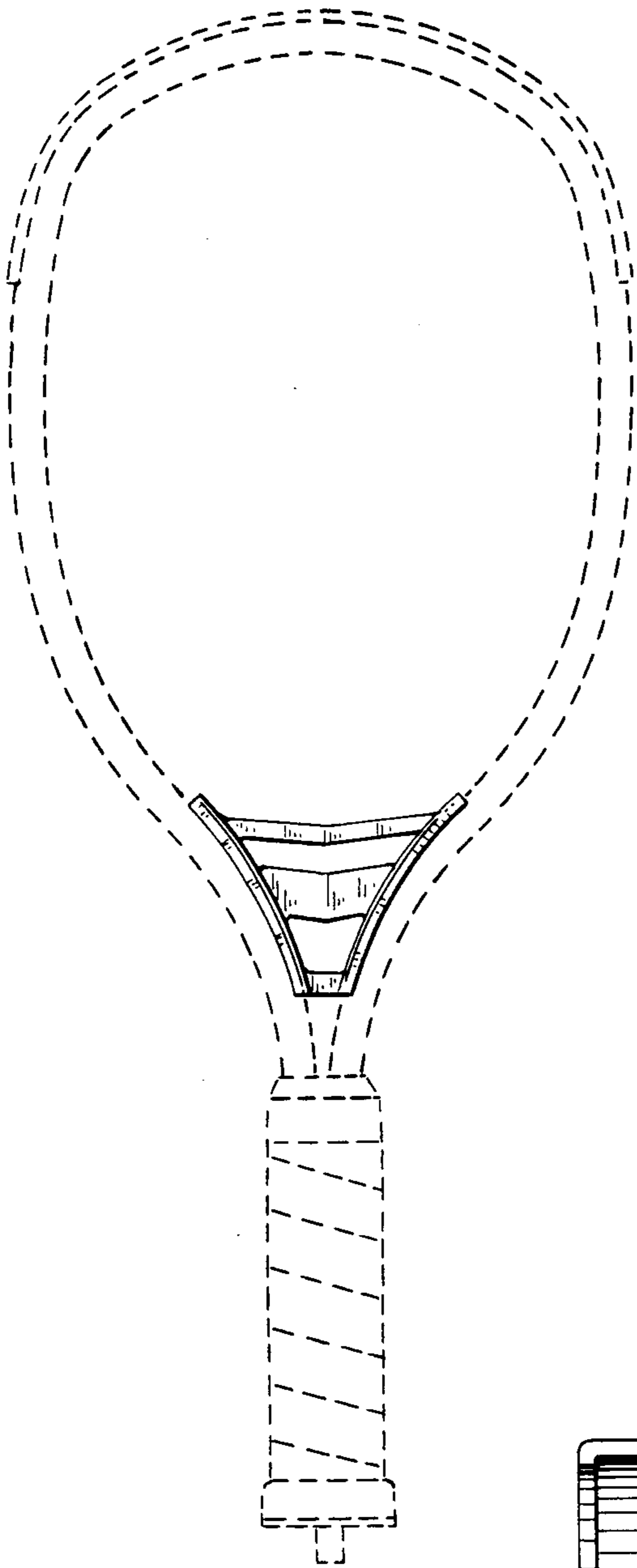


FIG. 1



6

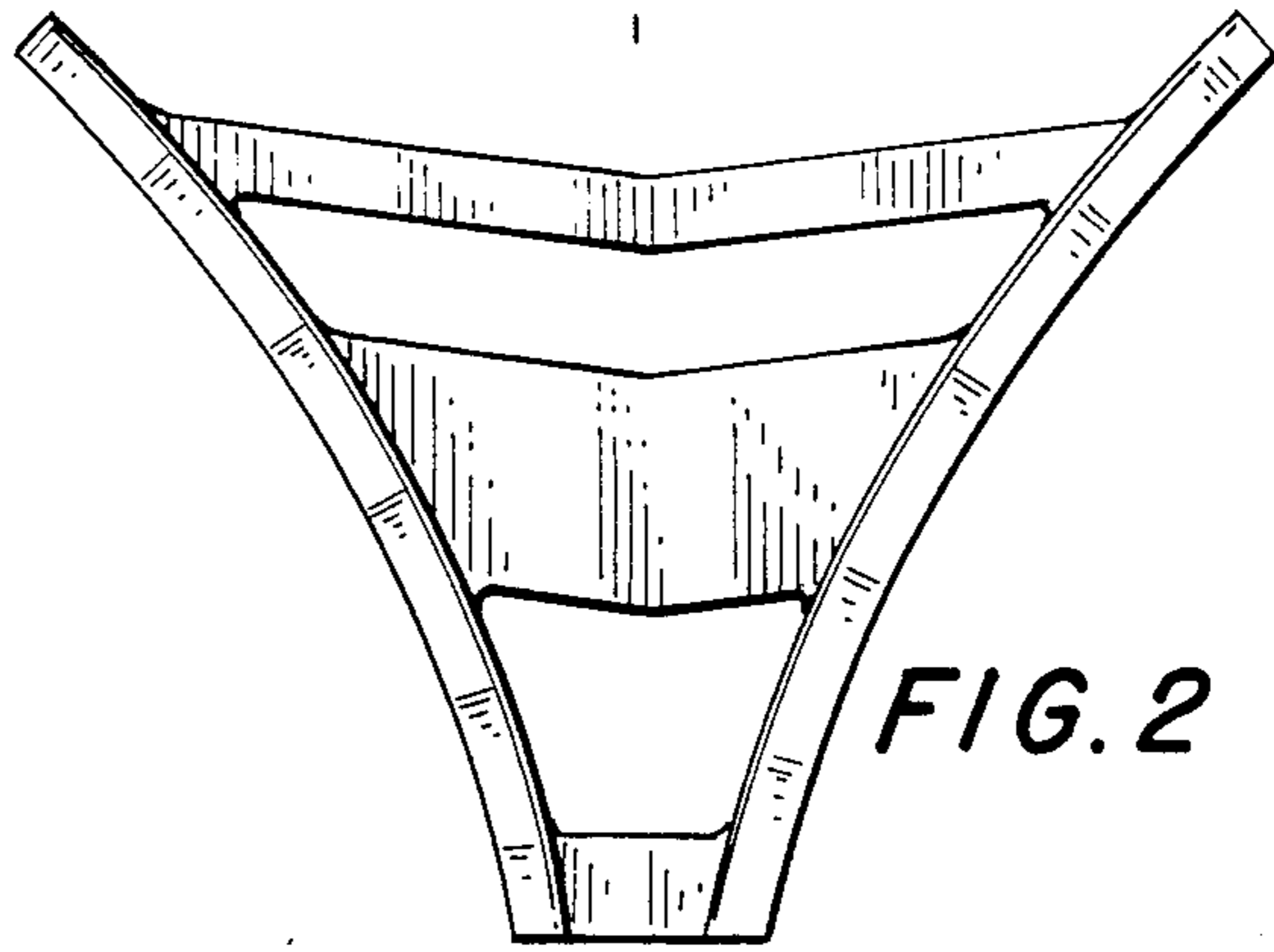


FIG. 2

6

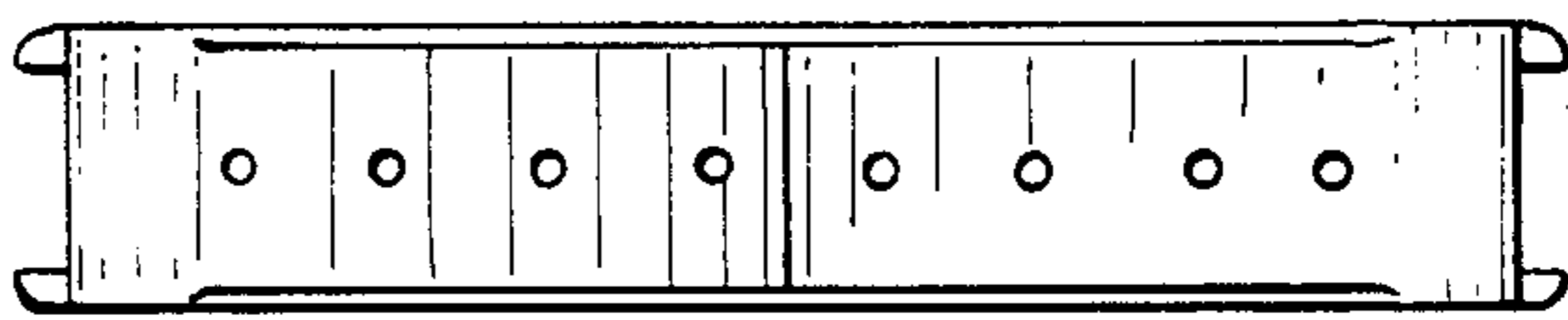


FIG. 3



FIG. 4

FIG. 5

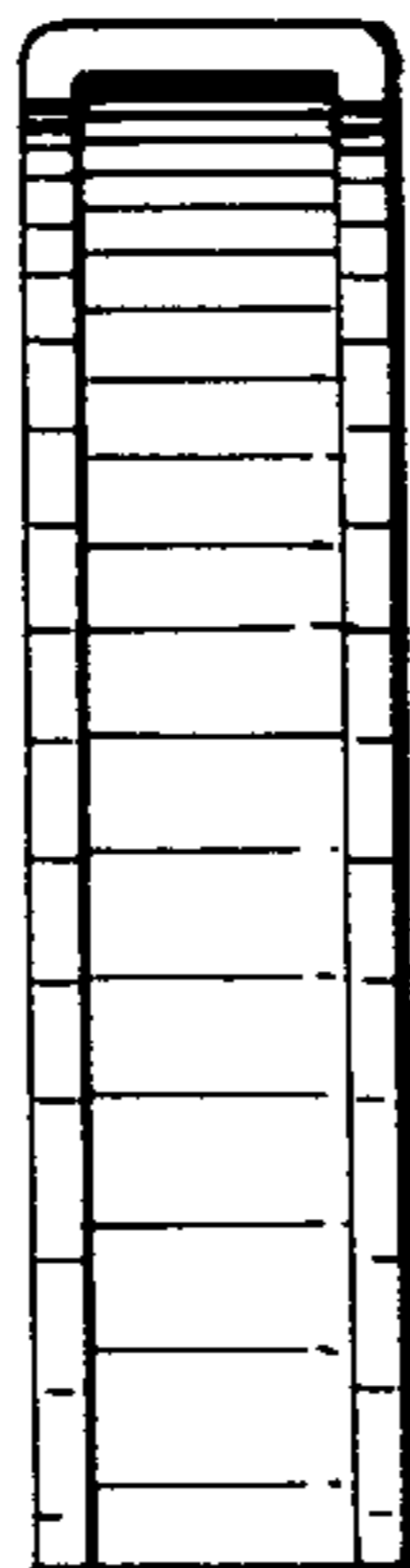


FIG. 6

