

[54] SUN CLOCK

[76] Inventor: Scott R. Glendinning, 1731 Tacoma, Berkeley, Calif. 94707

[**] Term: 14 Years

[21] Appl. No.: 945,186

[22] Filed: Sep. 25, 1978

[51] Int. Cl. D10-03

[52] U.S. Cl. D10/45

[58] Field of Search D10/1, 21, 24, 25, 26, D10/27, 45; 33/270

[56] References Cited

U.S. PATENT DOCUMENTS

D. 233,028	10/1974	Bedinger	D10/45
3,158,937	12/1964	Flinois	D10/45 X
4,050,161	9/1977	Yabashi	33/270

FOREIGN PATENT DOCUMENTS

1207290	12/1965	Fed. Rep. of Germany	33/270
700983	12/1953	United Kingdom	33/270

Primary Examiner—Nelson C. Holtje
Attorney, Agent, or Firm—Thomas P. Down

[57] CLAIM

The ornamental design for sun clock, as shown and described.

DESCRIPTION

FIG. 1 is a top and left front perspective view of a sun clock showing my new design;

FIG. 2 is a front elevational view thereof;

FIG. 3 is a rear elevational view thereof;

FIG. 4 is a right side elevational view thereof;

FIG. 5 is a top plan view thereof, the bottom being flat, plain and unornamented.

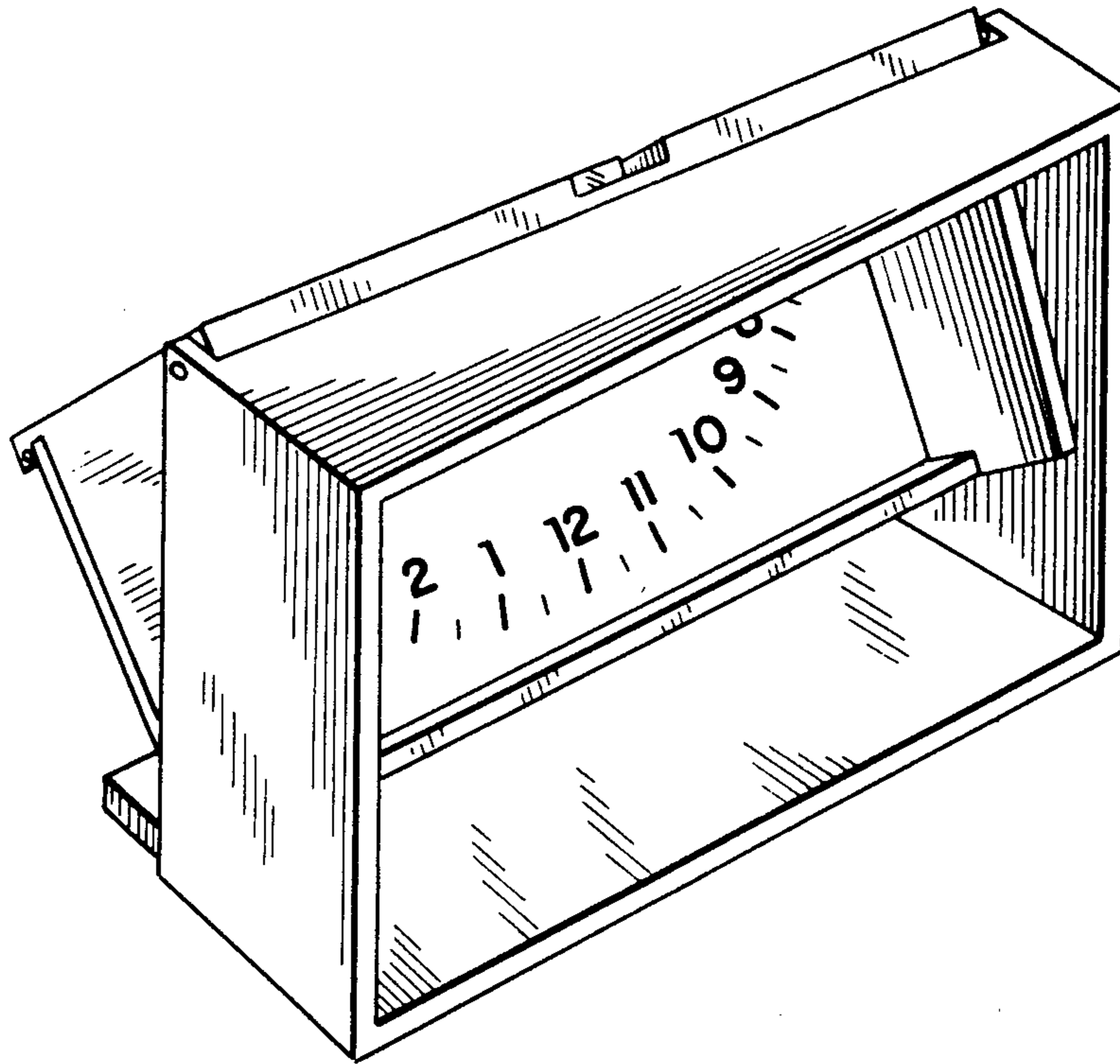


Fig. 1

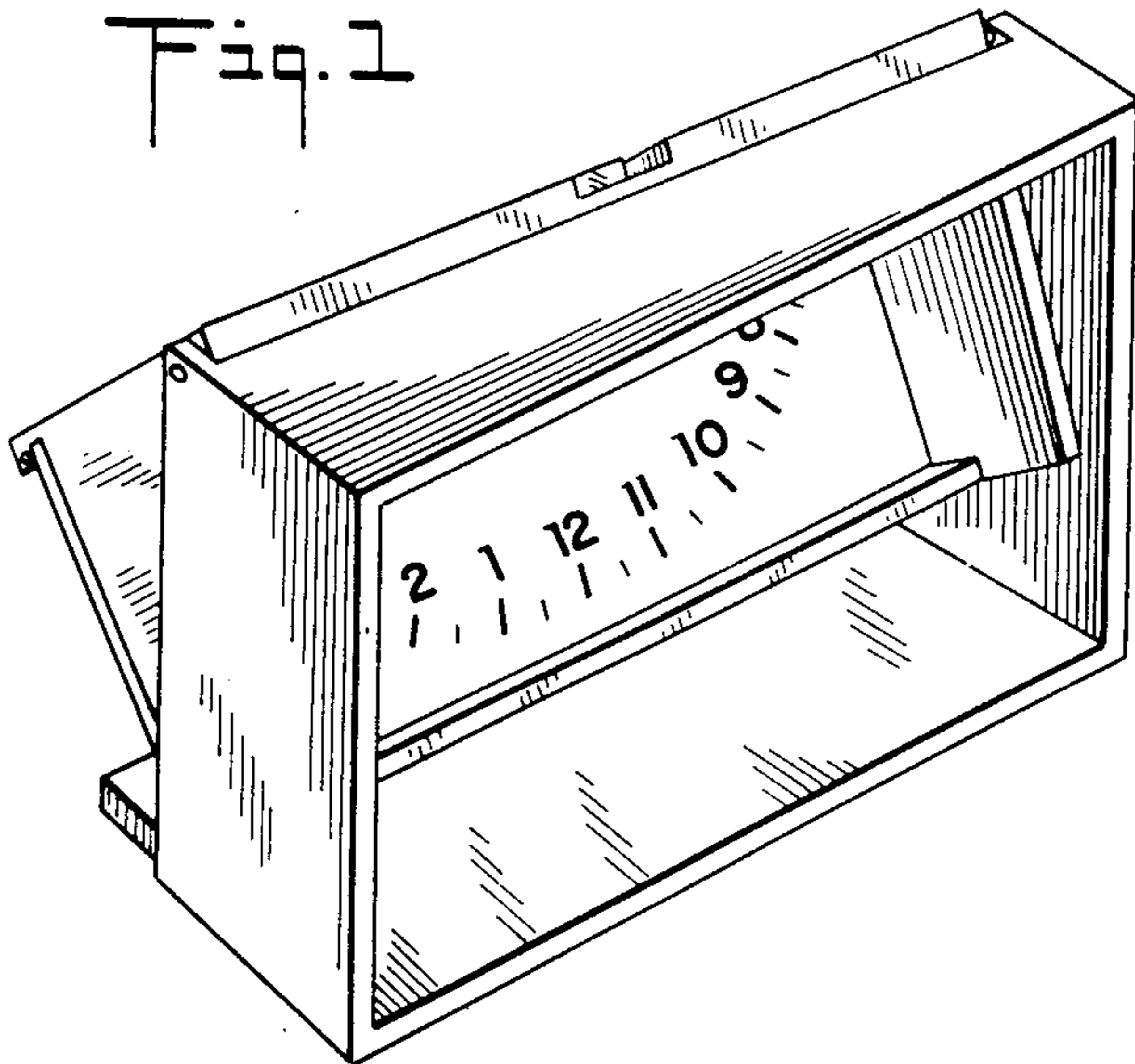


Fig. 4

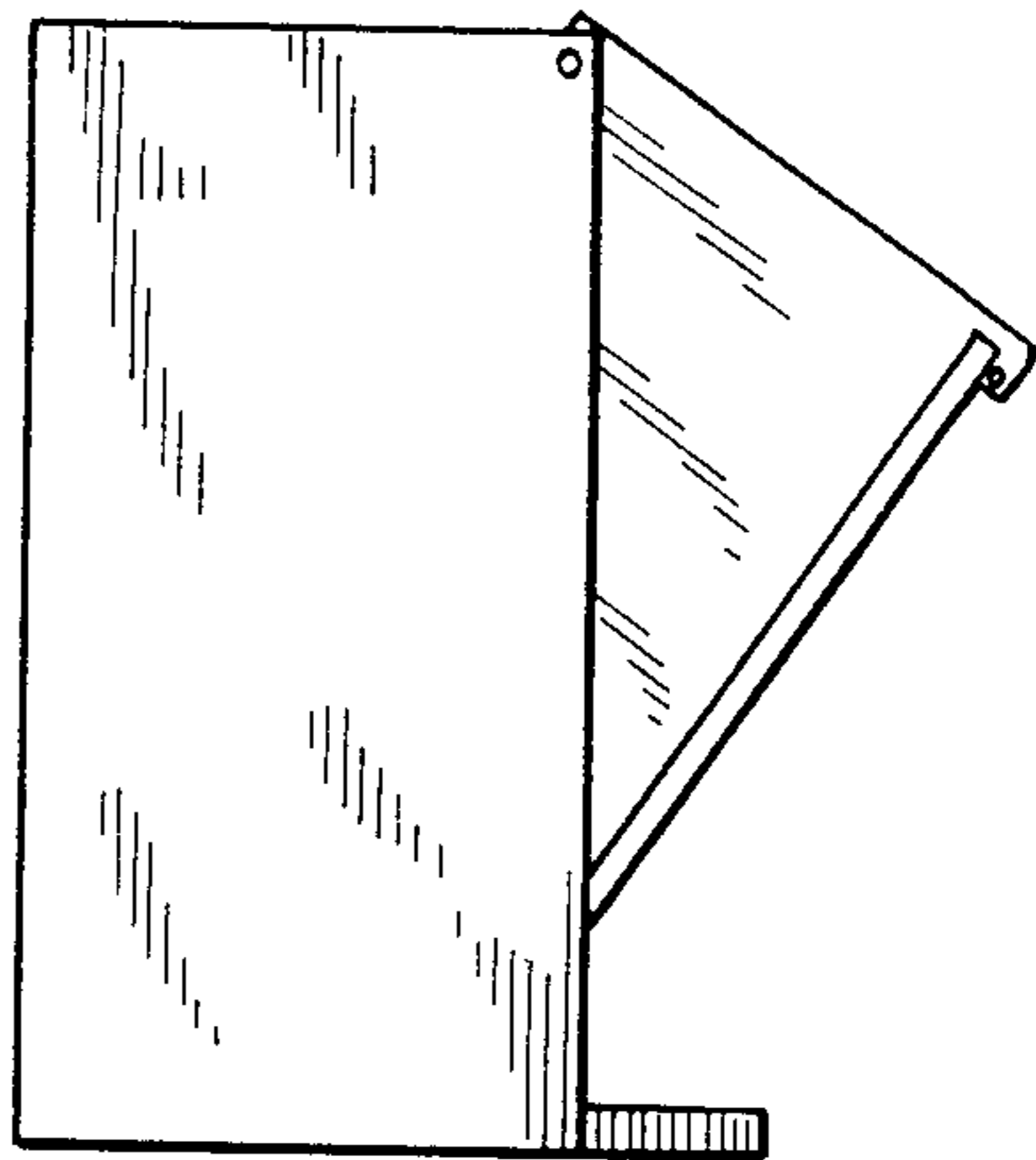


Fig. 2

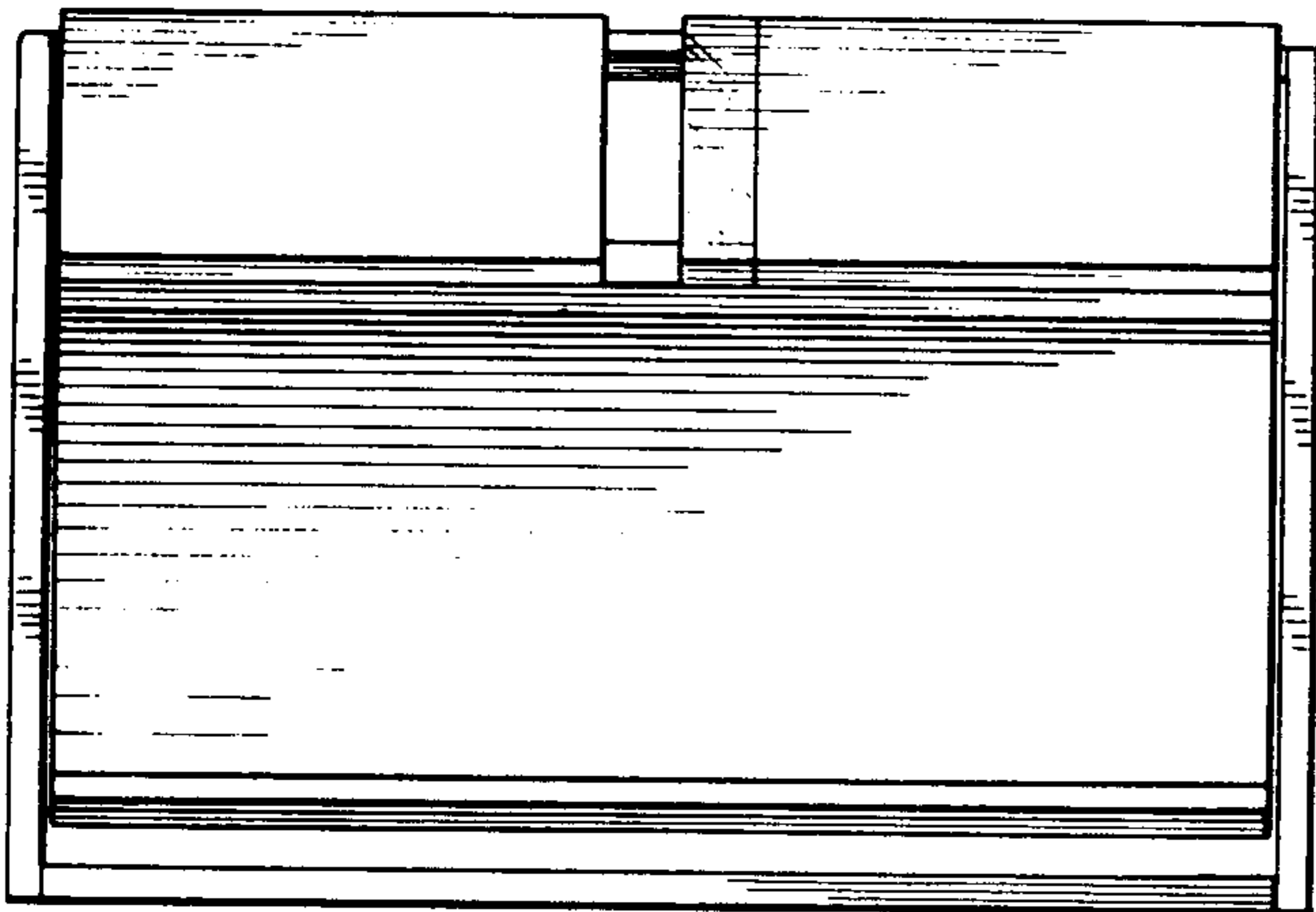
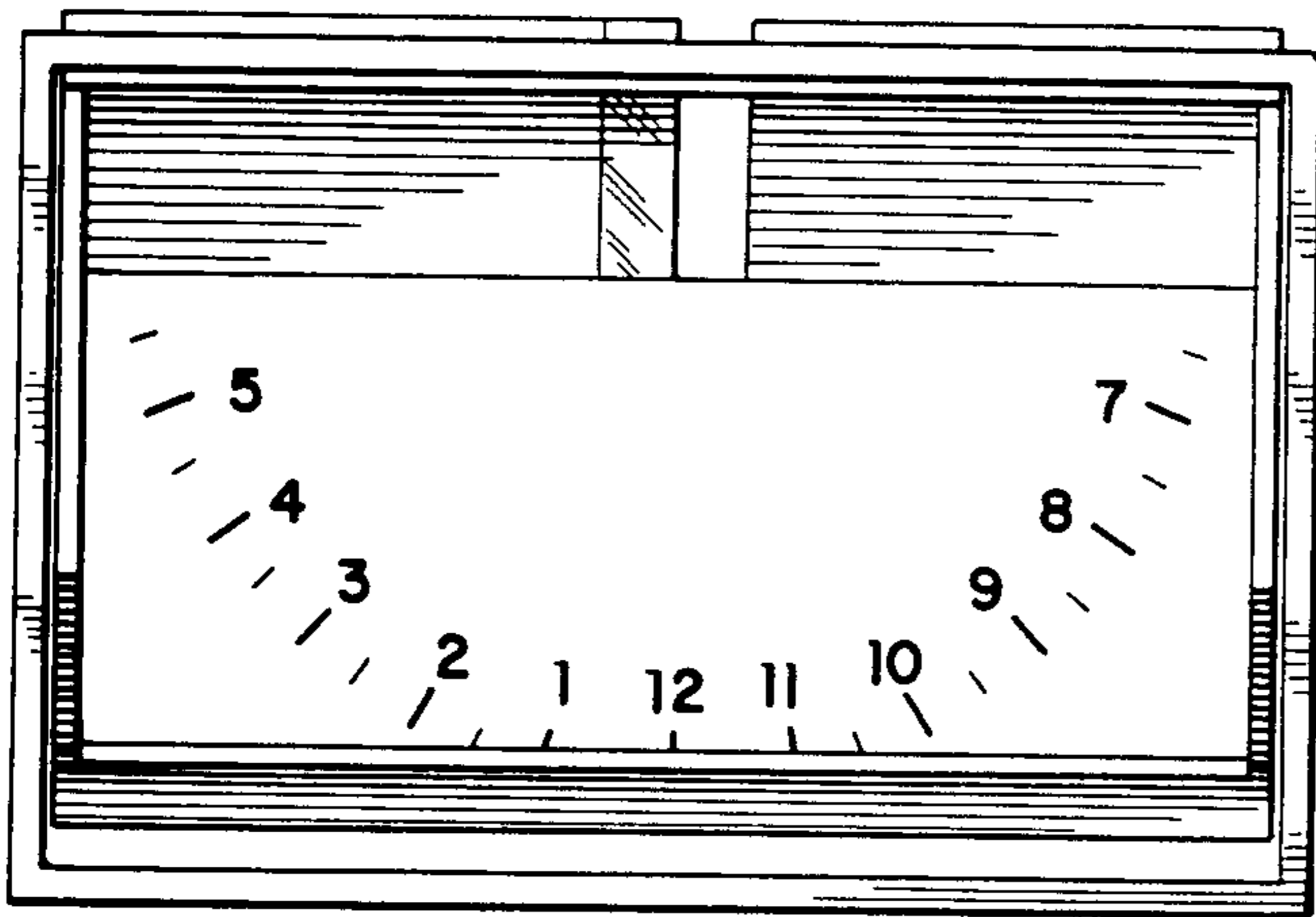


Fig. 3

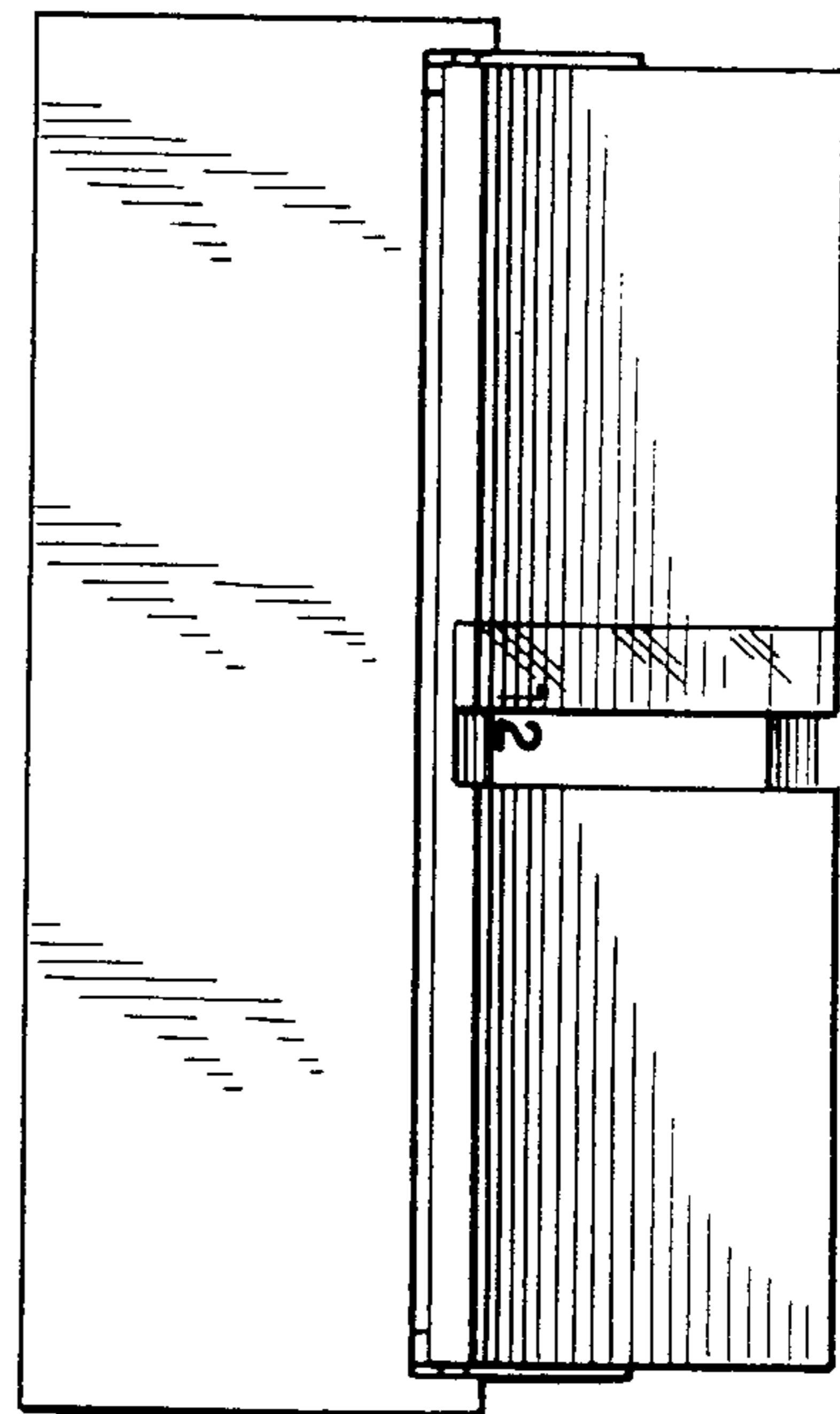


Fig. 5