

[54] HANDLE FOR GLASS FIREPLACE SCREEN

[56]

References Cited

U.S. PATENT DOCUMENTS

[75] Inventor: W. James Sirois, Beaverton, Oreg.

D. 181,119 10/1957 Boutin D8/317

D. 193,698 9/1962 Hawk D8/316

D. 221,509 8/1971 Leland D8/319

D. 253,031 10/1979 Gidseg D8/301

[73] Assignee: Pacific Fireplace Furnishings, Inc.,
Tualatin, Oreg.

Primary Examiner—Barbara J. Bullock

Attorney, Agent, or Firm—Chernoff & Vilhauer

[**] Term: 14 Years

[57]

CLAIM

[21] Appl. No.: 53,841

The ornamental design for a handle for glass fireplace screen, as shown.

DESCRIPTION

[22] Filed: Jul. 2, 1979

FIG. 1 is a perspective view of a handle for glass fireplace screen showing my new design;

FIG. 2 is an end elevational view thereof, the end opposite being identical;

[51] Int. Cl. D8-06

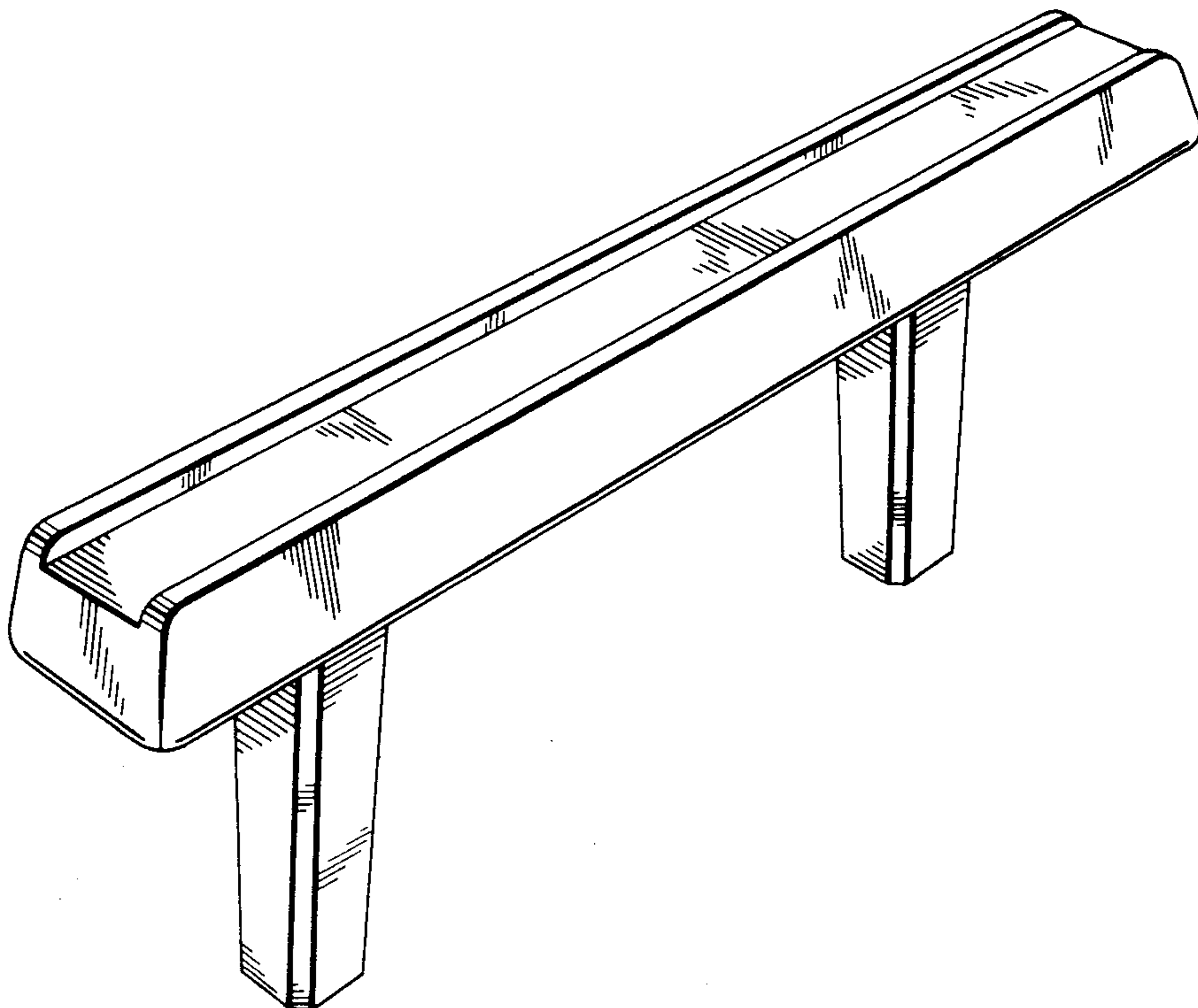
[52] U.S. Cl. D8/316

FIG. 3 is a side elevational view thereof, the side opposite being identical;

[58] Field of Search D8/300, 301, 305-307,
D8/310-320; D7/208; 16/110 R, 111 R, 121,
127, DIG. 11, DIG. 30

FIG. 4 is a top plan view thereof;

FIG. 5 is a bottom plan view thereof.



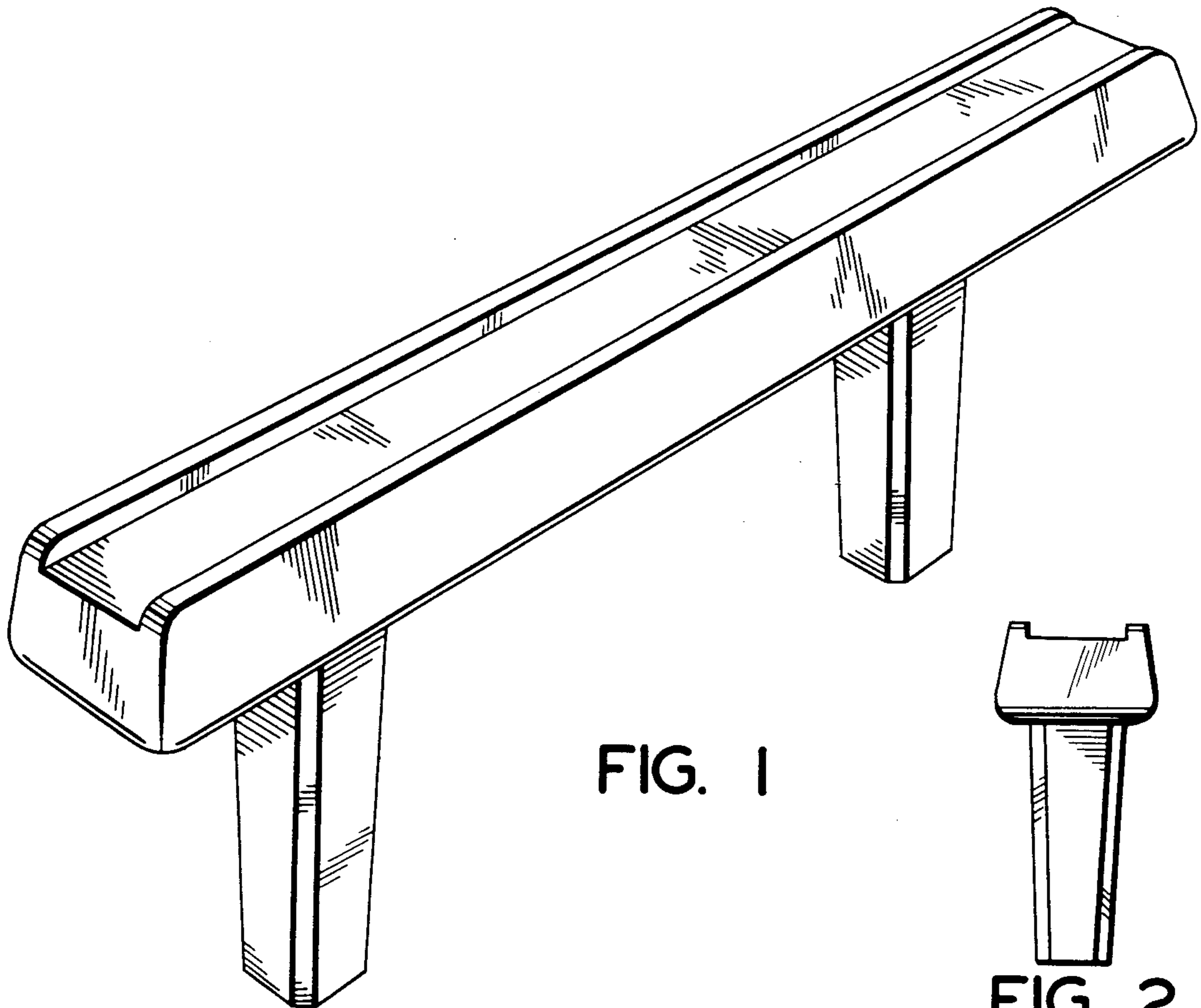


FIG. 1

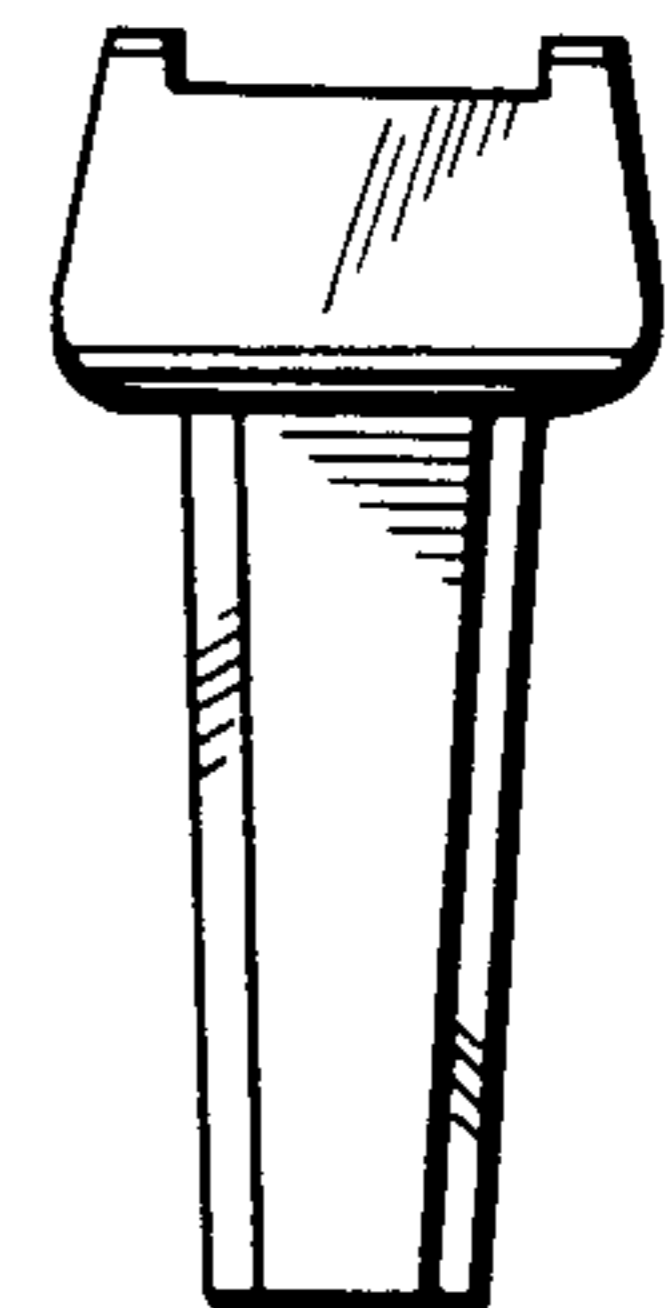


FIG. 2

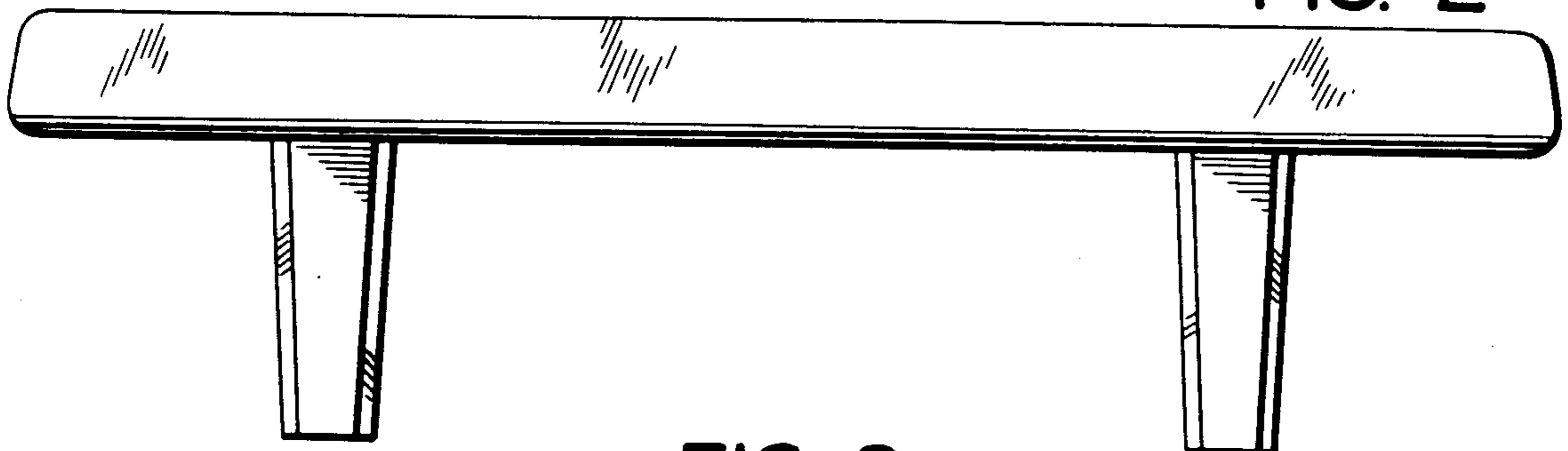


FIG. 3

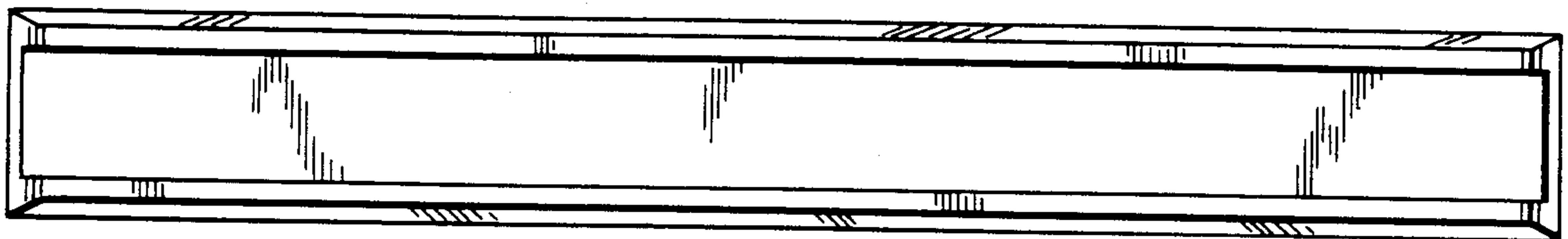


FIG. 4

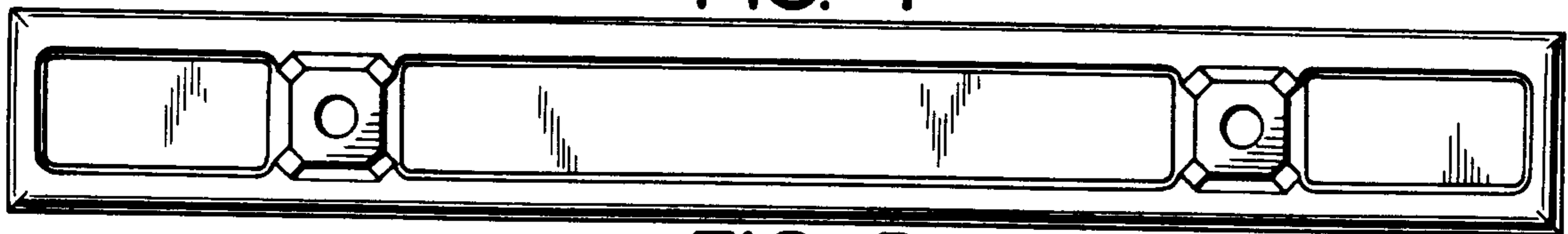


FIG. 5