

[54] LOUDSPEAKER STAND

[76] Inventor: Timothy J. F. Roach, 6 Old Slade La., Iver, Buckinghamshire, England

[**] Term: 14 Years

[21] Appl. No.: 971,476

[22] Filed: Dec. 19, 1978

[30] Foreign Application Priority Data

Jun. 29, 1978 [GB] United Kingdom 985234/78

[51] Int. Cl. D6-06

[52] U.S. Cl. D6/29; D6/177

[58] Field of Search D6/1, 20, 22, 25, 27, D6/28, 29, 31, 85, 155, 157, 176, 177, 179, 180, 194, 196; 108/150; 248/124, 125, 158, 167, 188.4, 188.7, 435, 676

[56] References Cited

U.S. PATENT DOCUMENTS

3,380,696 4/1968 Pauly et al. 248/188.7

FOREIGN PATENT DOCUMENTS

1377441 9/1964 France 108/150
1024545 3/1966 United Kingdom 248/188.7

OTHER PUBLICATIONS

CHF Stools and Tables—Brochure of the Chicago Hardware Foundry Co. Form No. 1153, 20M 3-57 ©1956, Item 912A-254 Four-Prong Style Table Base.

Primary Examiner—George G. Stellar
Attorney, Agent, or Firm—Karl W. Flocks

[57] CLAIM

The ornamental design for a loudspeaker stand, as shown and described.

DESCRIPTION

FIG. 1 is a perspective view of a loudspeaker stand showing my new design; FIG. 2 is a side elevational view thereof taken from the direction indicated by the arrow II of FIG. 1; and FIG. 3 is a bottom plan view thereof.

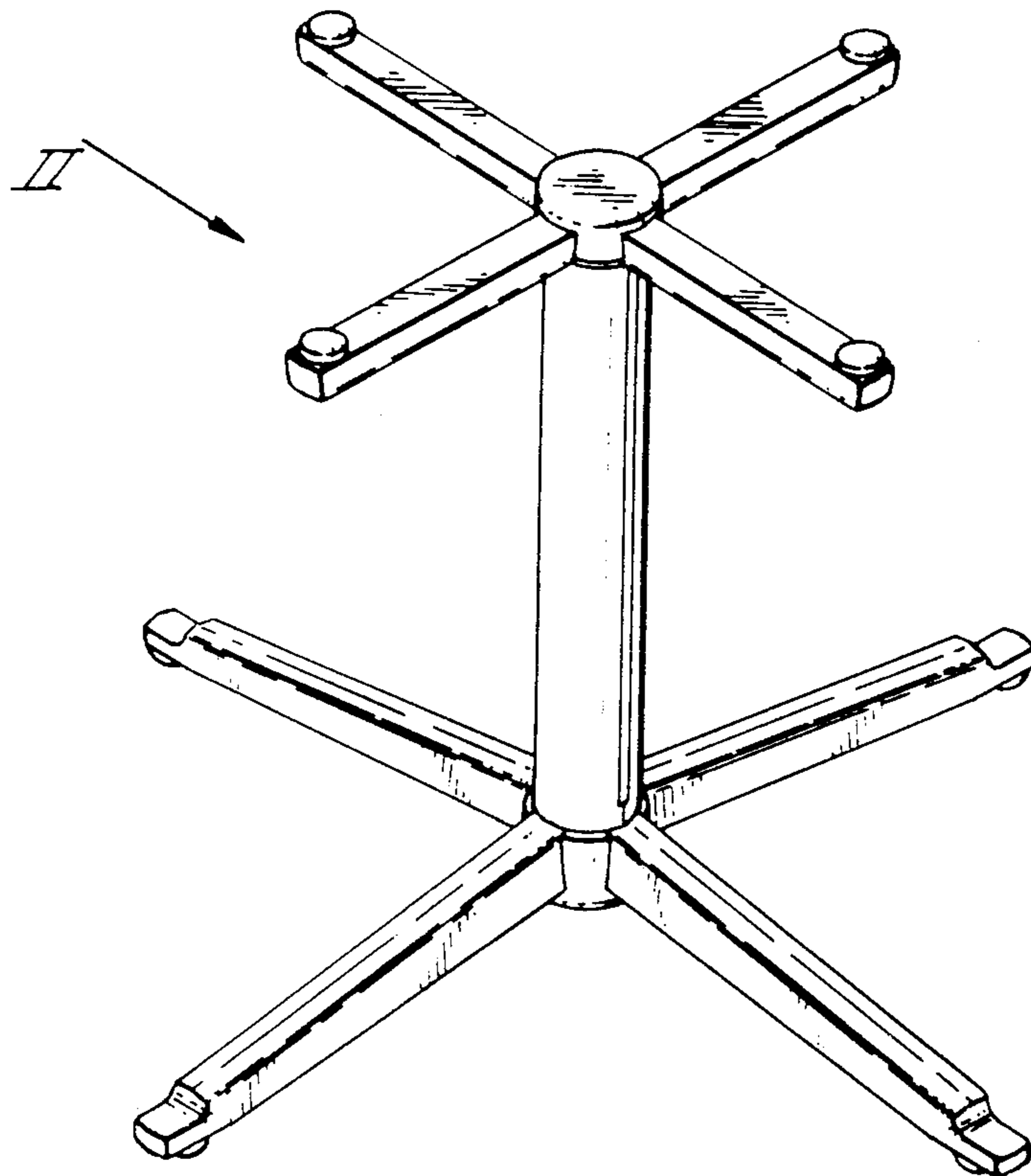


Fig. 1.

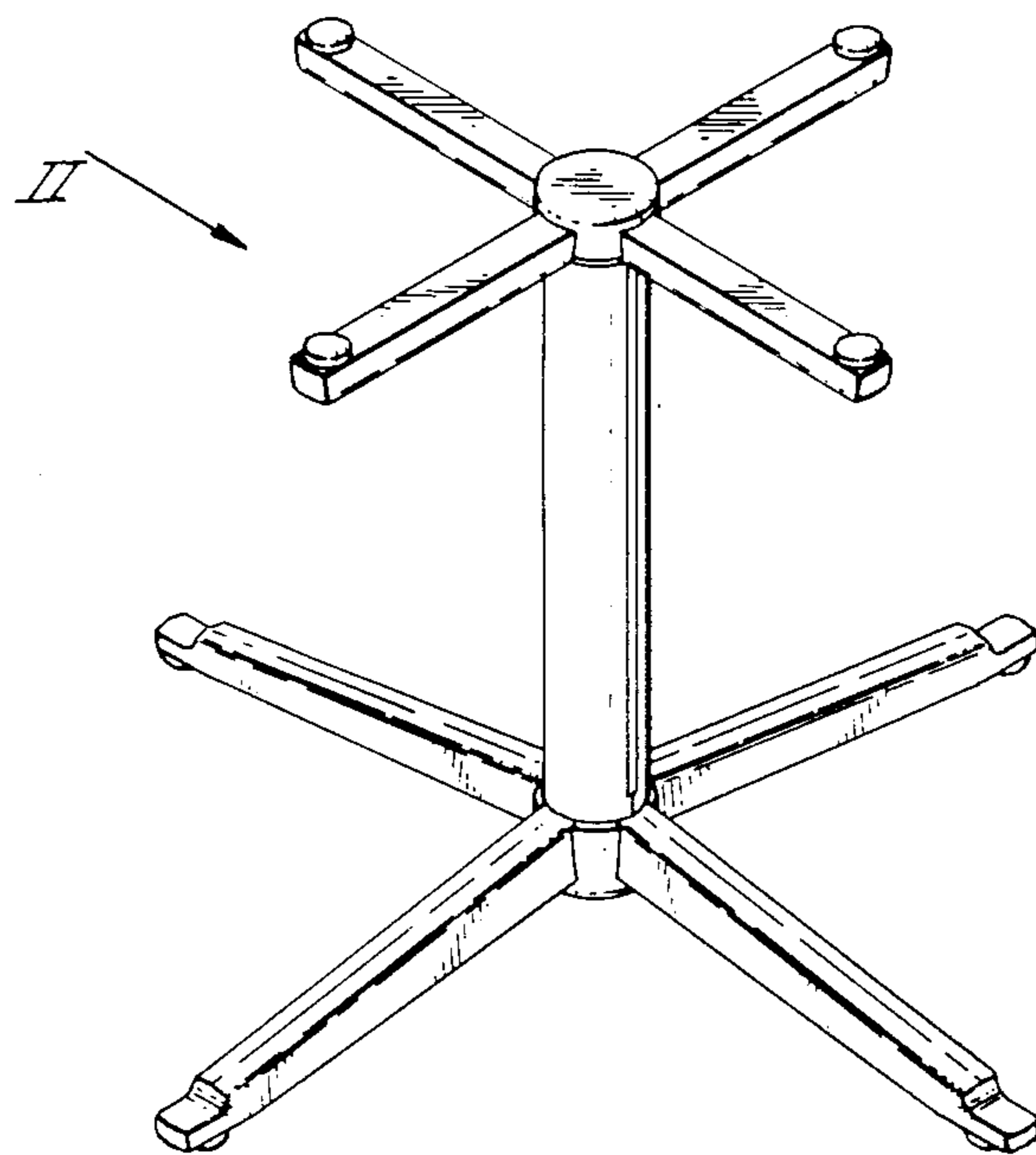


Fig. 2.

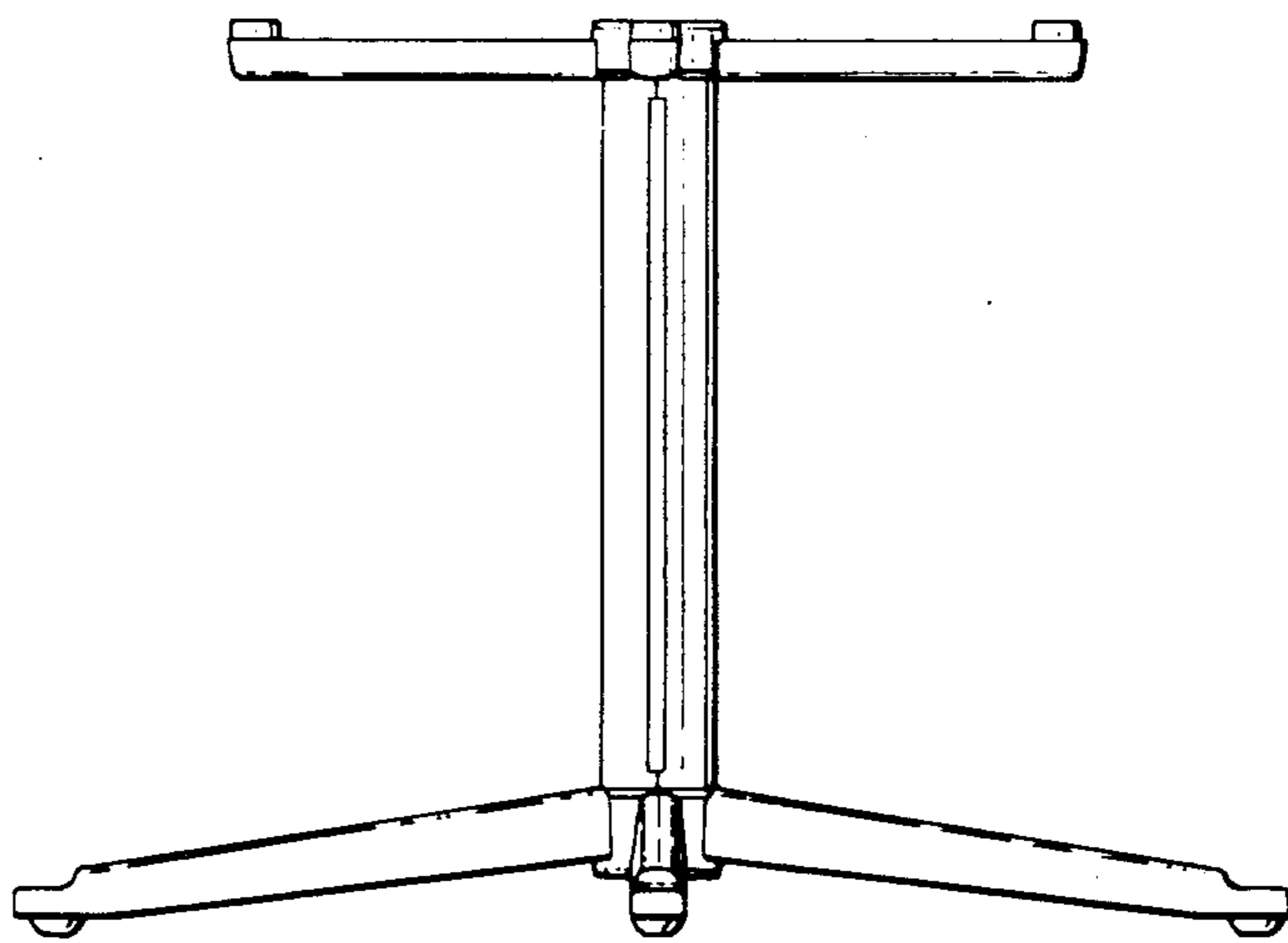


Fig. 3.

