

[54] PURSE

[76] Inventor: Milton I. Siegel, 767 Weemac Rd.,
Martinsville, N.J. 08836

[**] Term: 14 Years

[21] Appl. No.: 906,143

[22] Filed: May 15, 1978

[51] Int. Cl. D3-01

[52] U.S. Cl. D3/52; D3/53

[58] Field of Search D3/39, 42-54;
150/28 R, 33

D. 248,058 5/1978 Siegel D3/48
4,022,261 5/1977 Russell D3/48

Primary Examiner—George P. Word
Attorney, Agent, or Firm—Gregory J. Nelson

[57] CLAIM

The ornamental design for a purse, as shown and described.

DESCRIPTION

FIG. 1 is a perspective view of a purse showing my new design with the front flap fully open and the rear flap partially open;

FIG. 2 is a bottom rear perspective view thereof;

FIG. 3 is a left end elevational view thereof;

FIG. 4 is a top plan view thereof with the front flap partially broken away and omitted for convenience of illustration;

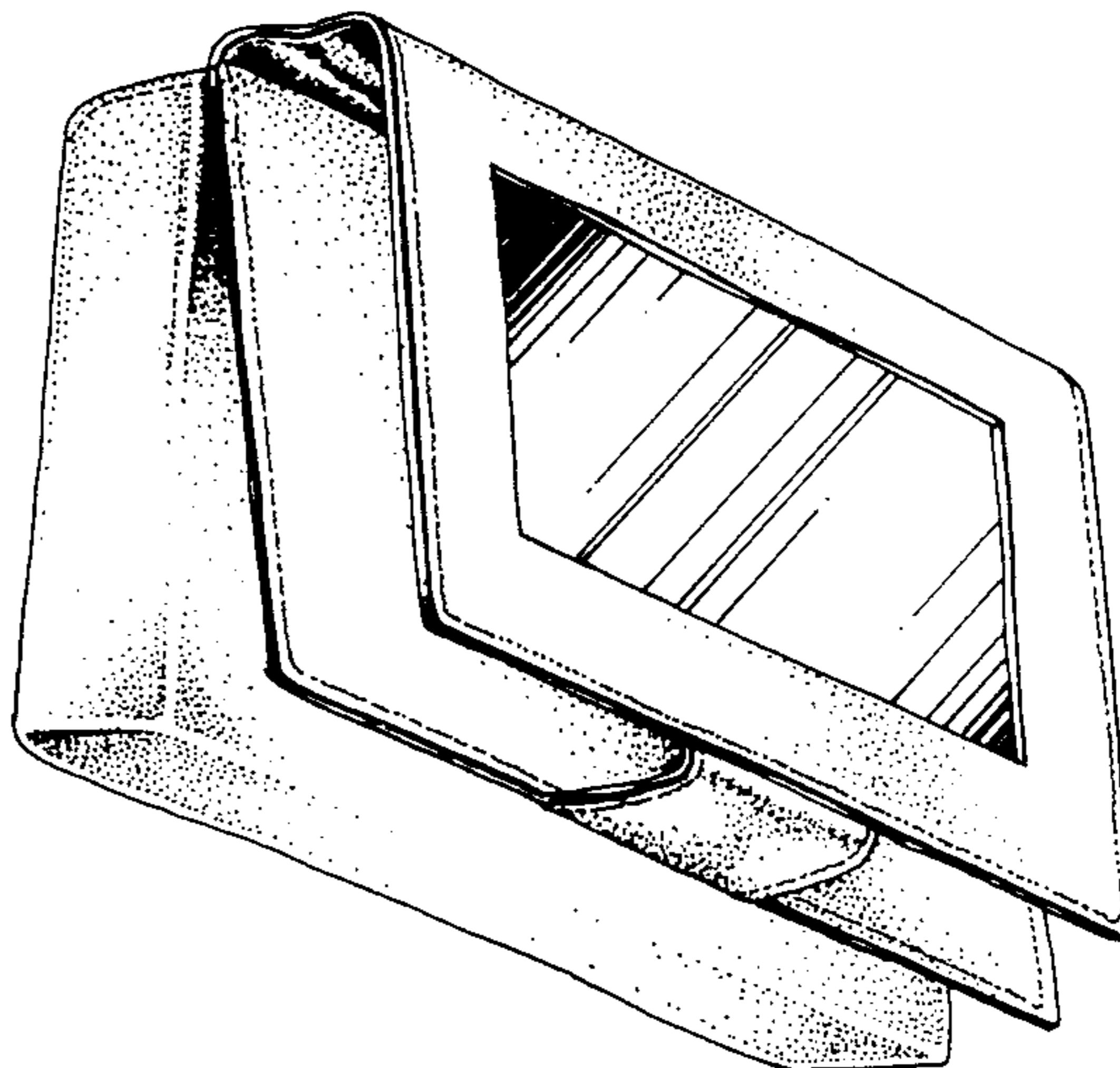
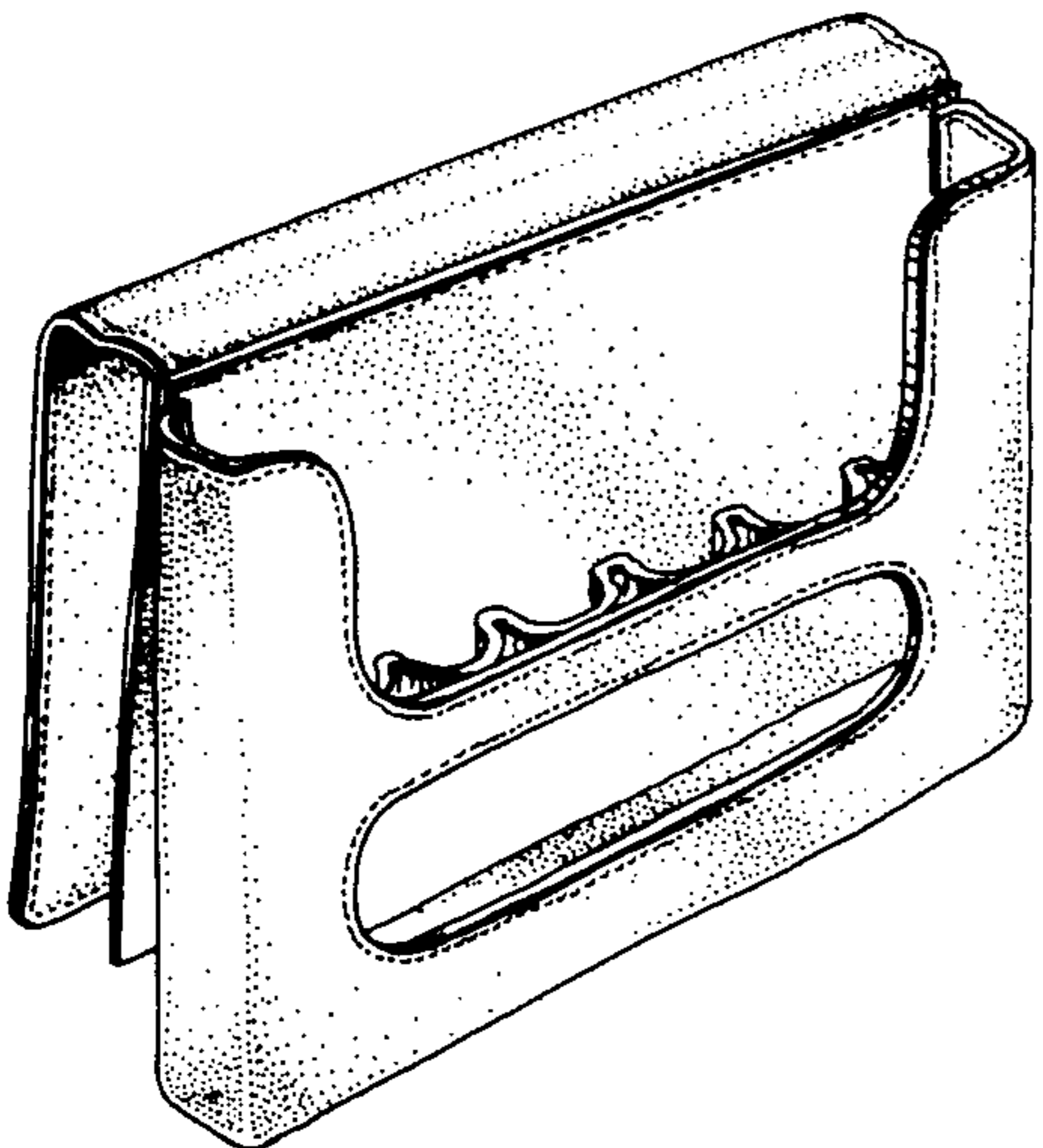
FIG. 5 is a reduced scale front perspective view of the purse in a closed condition; and

FIG. 6 is a rear perspective view of FIG. 5.

[56] References Cited

U.S. PATENT DOCUMENTS

D. 95,295	4/1935	Walinsky	D3/52
D. 96,684	8/1935	Lending	D3/52
D. 108,150	1/1938	Bautista	D3/52
D. 139,680	12/1944	Kolb	D3/52



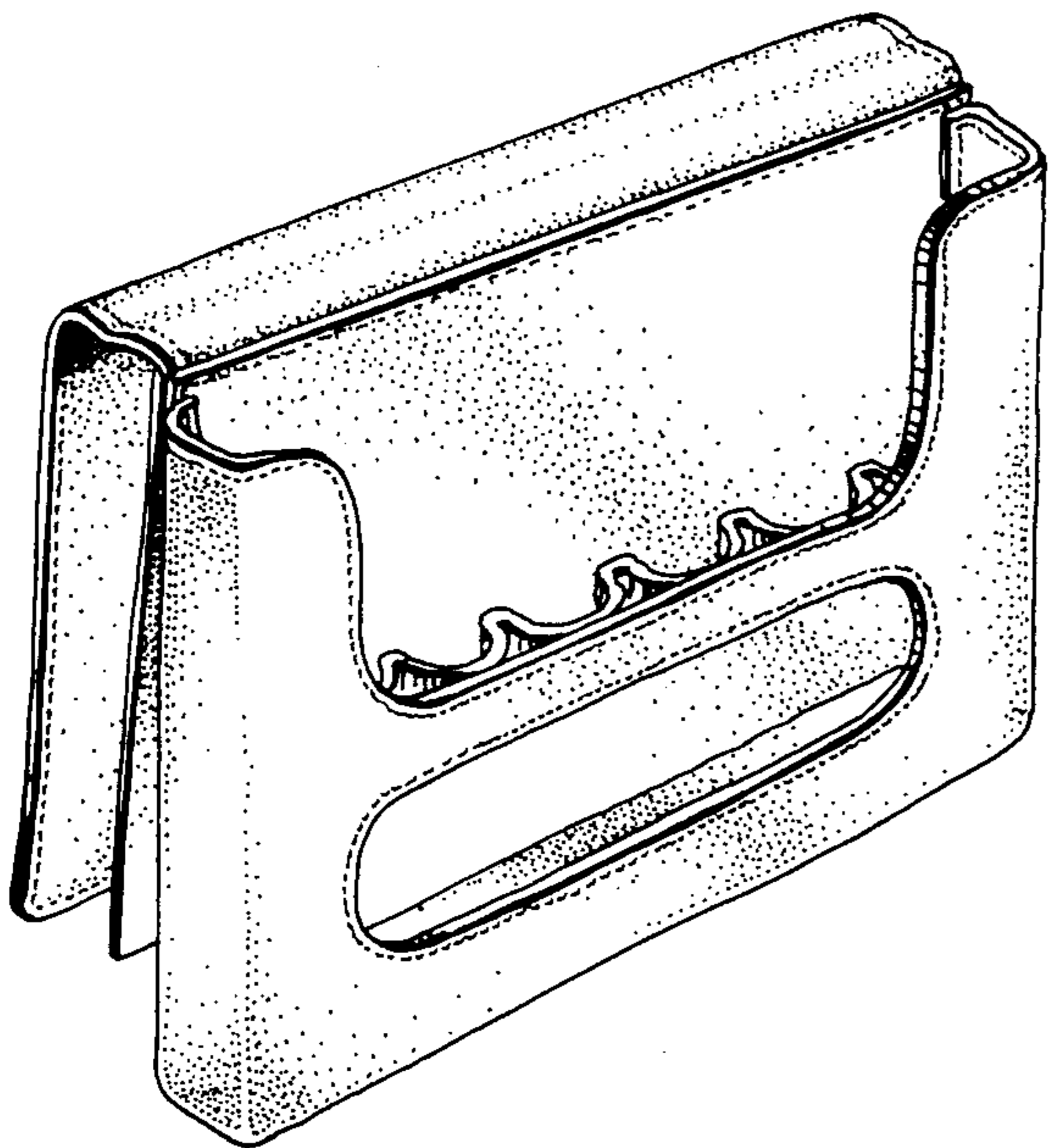


FIG. 1

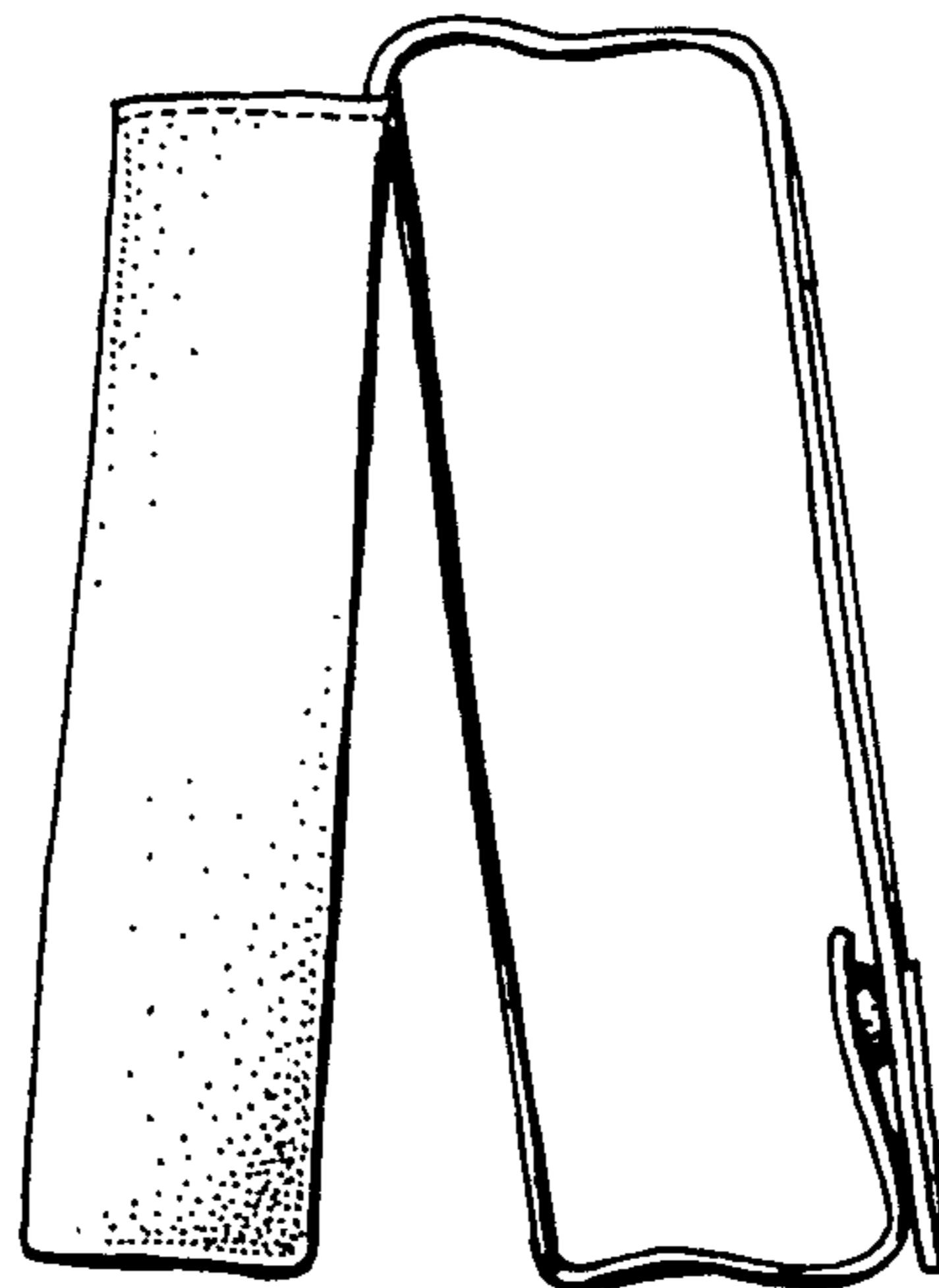


FIG. 3

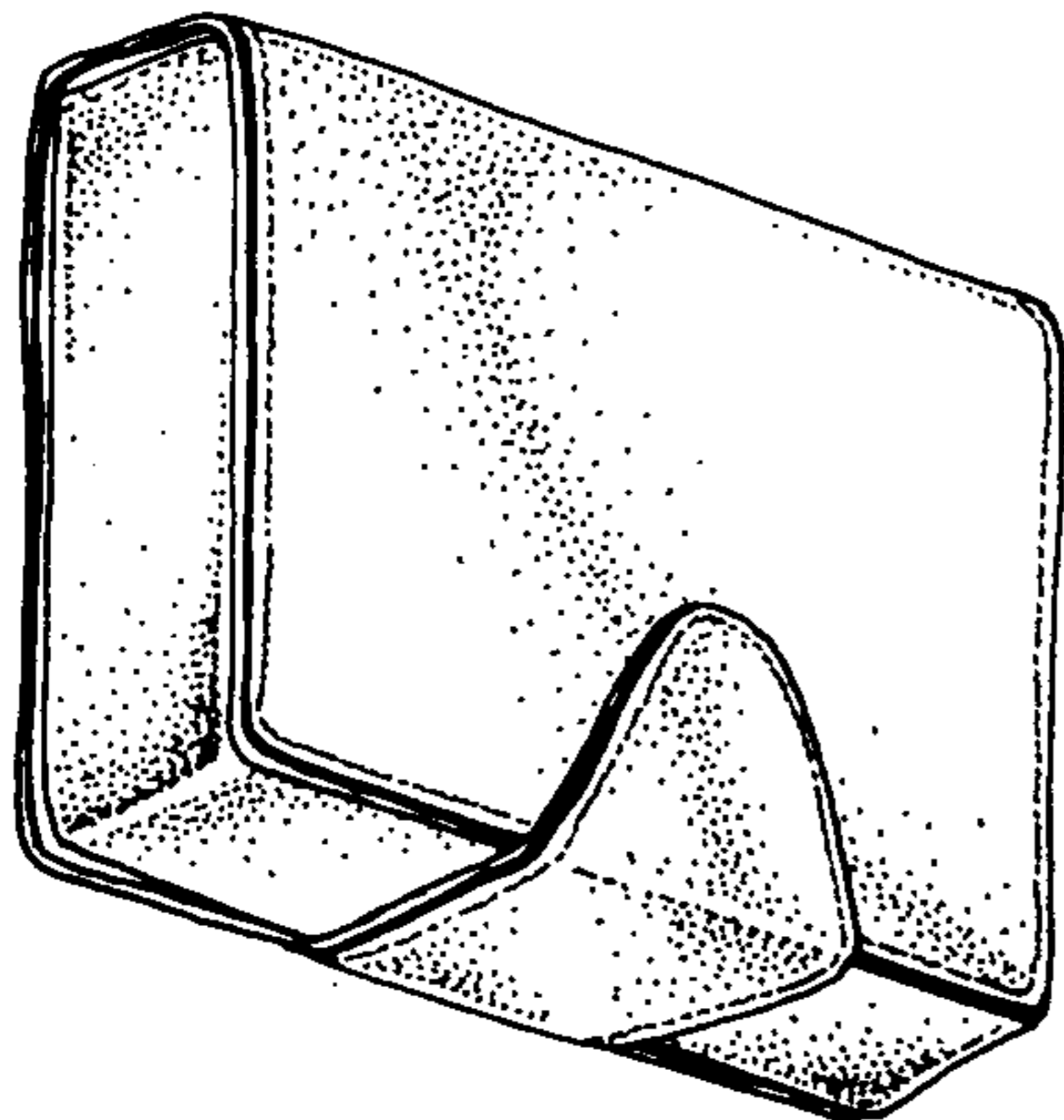


FIG. 5

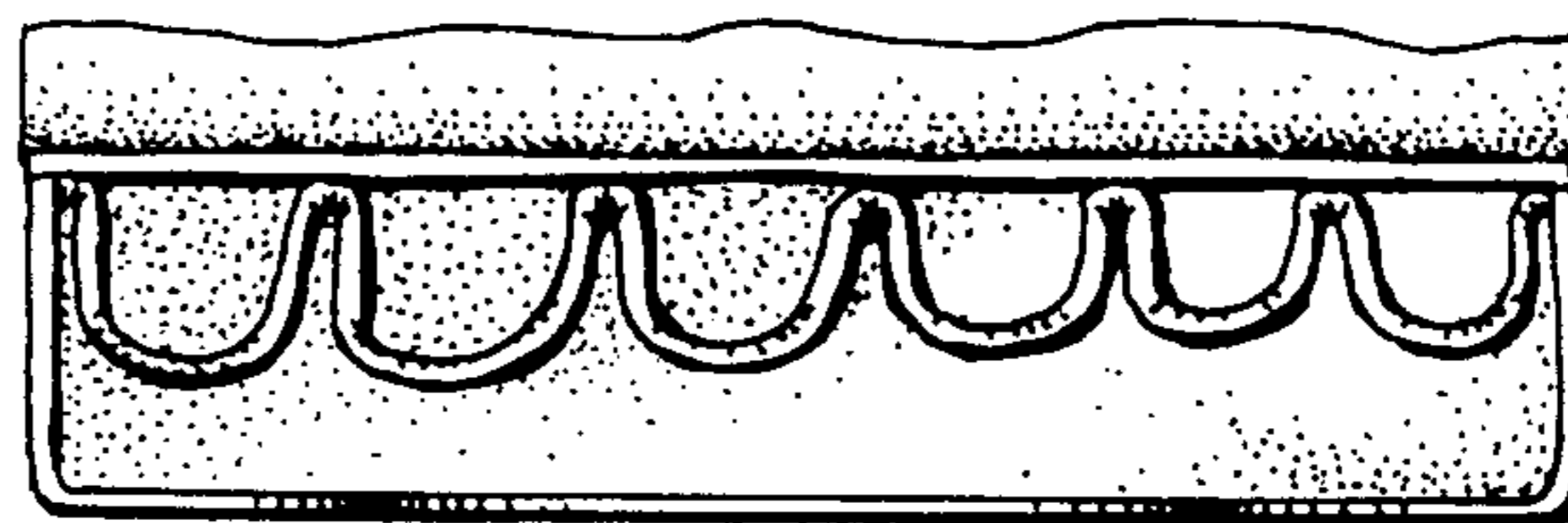


FIG. 4

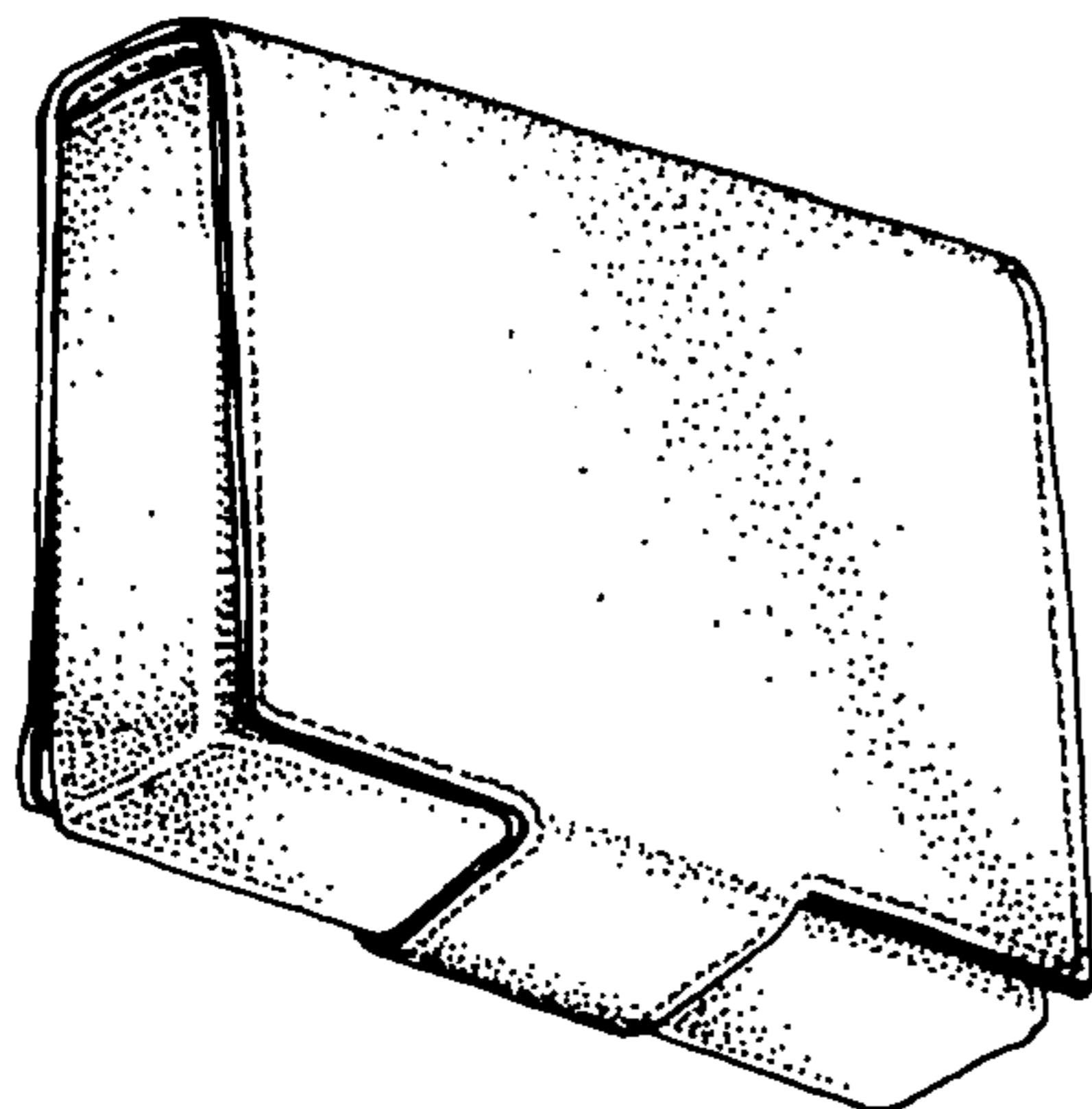


FIG. 6

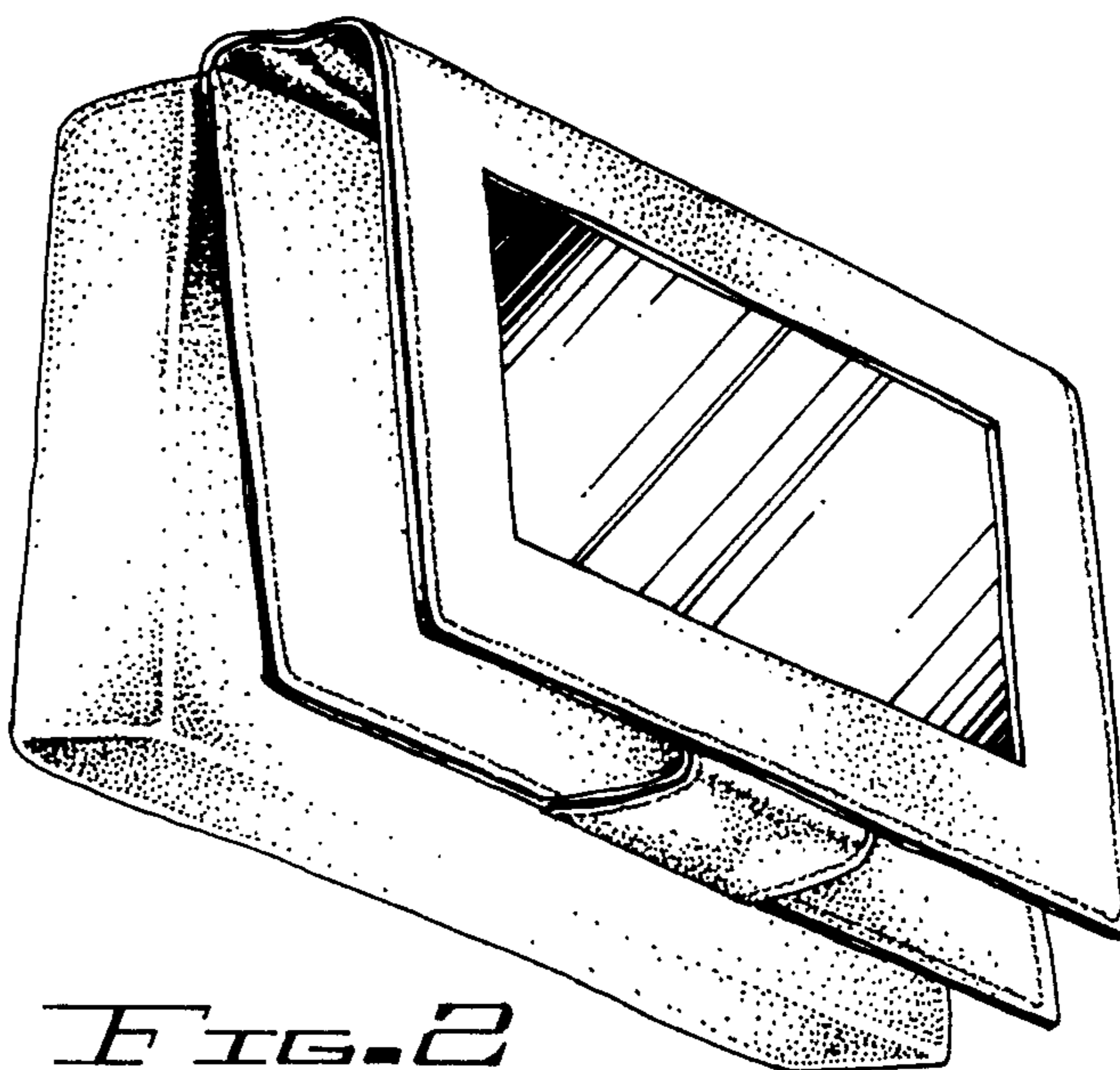


FIG. 2