

[54] SIMULATIVE TOY MOBILE

[76] Inventor: Robert R. Schoch, 517 Otteray Dr.,  
High Point, N.C. 27260

[\*\*] Term: 14 Years

[21] Appl. No.: 919,259

[22] Filed: Jun. 26, 1978

[51] Int. Cl. .... D21-01

[52] U.S. Cl. .... D21/62; D11/141;  
D21/82

[58] Field of Search ..... D21/62, 63, 87, 88,  
D21/89, 90, 91; 46/74, 76 A, 76 R, 77, 78, 79,  
80, 81; D12/71; 244/153 R, 154, 155 R;  
D11/141, 142; 160/330, 332

[56] References Cited

U.S. PATENT DOCUMENTS

D. 183,744	10/1958	Hutzler .....	D21/63
D. 250,786	1/1979	Venditti .....	D21/89
3,581,432	6/1971	Bass et al. ....	D21/90

OTHER PUBLICATIONS

The Washington Post Magazine, 6-11-1978, p. 18, Bi-  
plane Mobile at bottom of page.

Primary Examiner—Charles A. Rademaker  
Attorney, Agent, or Firm—David Rabin

[57] CLAIM

The ornamental design for a simulative toy mobile, as  
shown and described.

DESCRIPTION

FIG. 1 is a perspective view of a simulative toy mobile  
showing my new design;

FIG. 2 is a top plan view thereof shown on a slightly  
reduced scale;

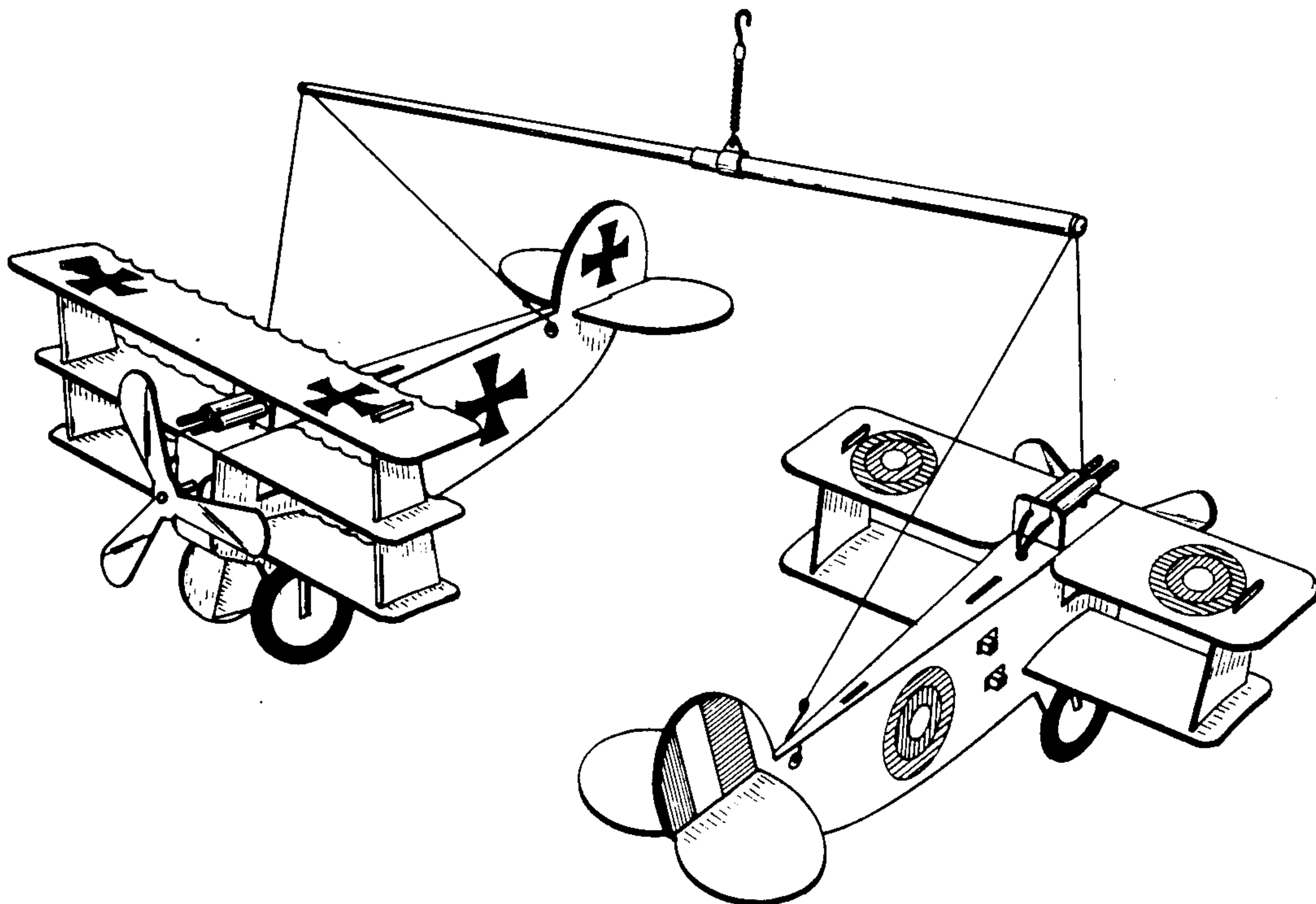
FIG. 3 is a left side elevational view of the airplane  
member shown on the left side of FIG. 1;

FIG. 4 is a front elevational view thereof;

FIG. 5 is a left side elevational view of the airplane  
member shown on the right side of FIG. 1; and

FIG. 6 is a front elevational view thereof.

Portions of the support structure and tether members  
have been omitted from FIGS. 3-6 for ease of illustra-  
tion.



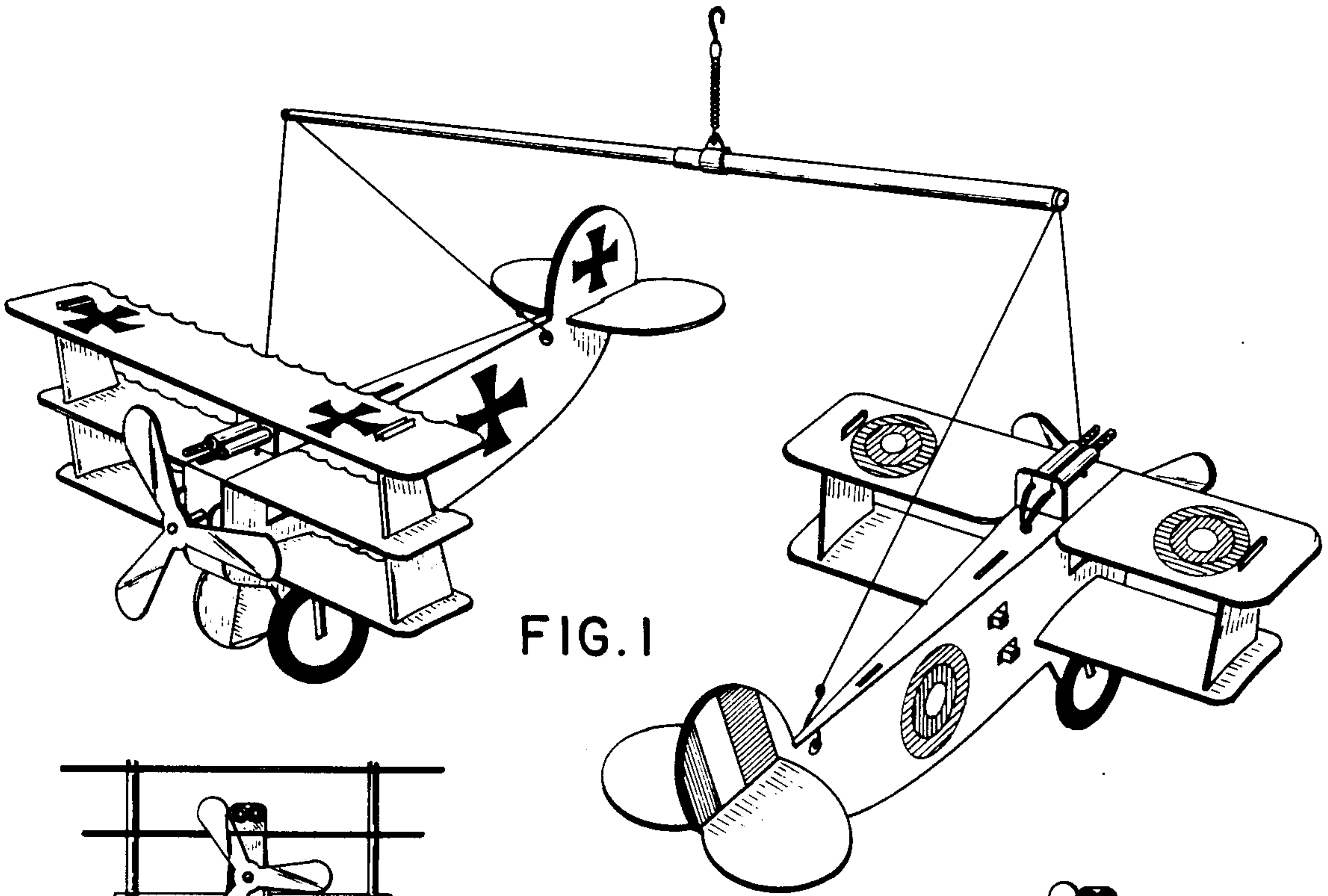


FIG. 1

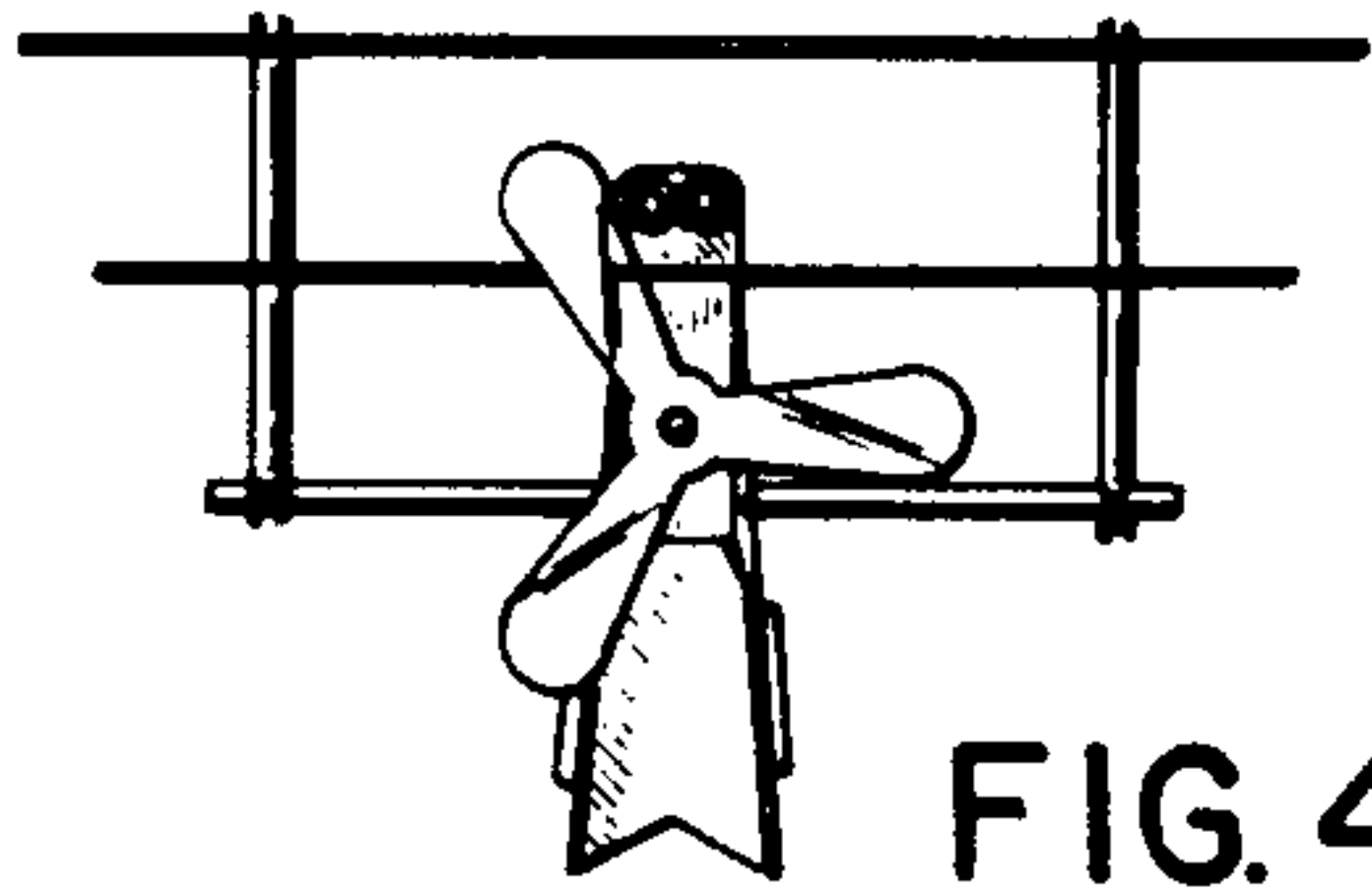


FIG. 4

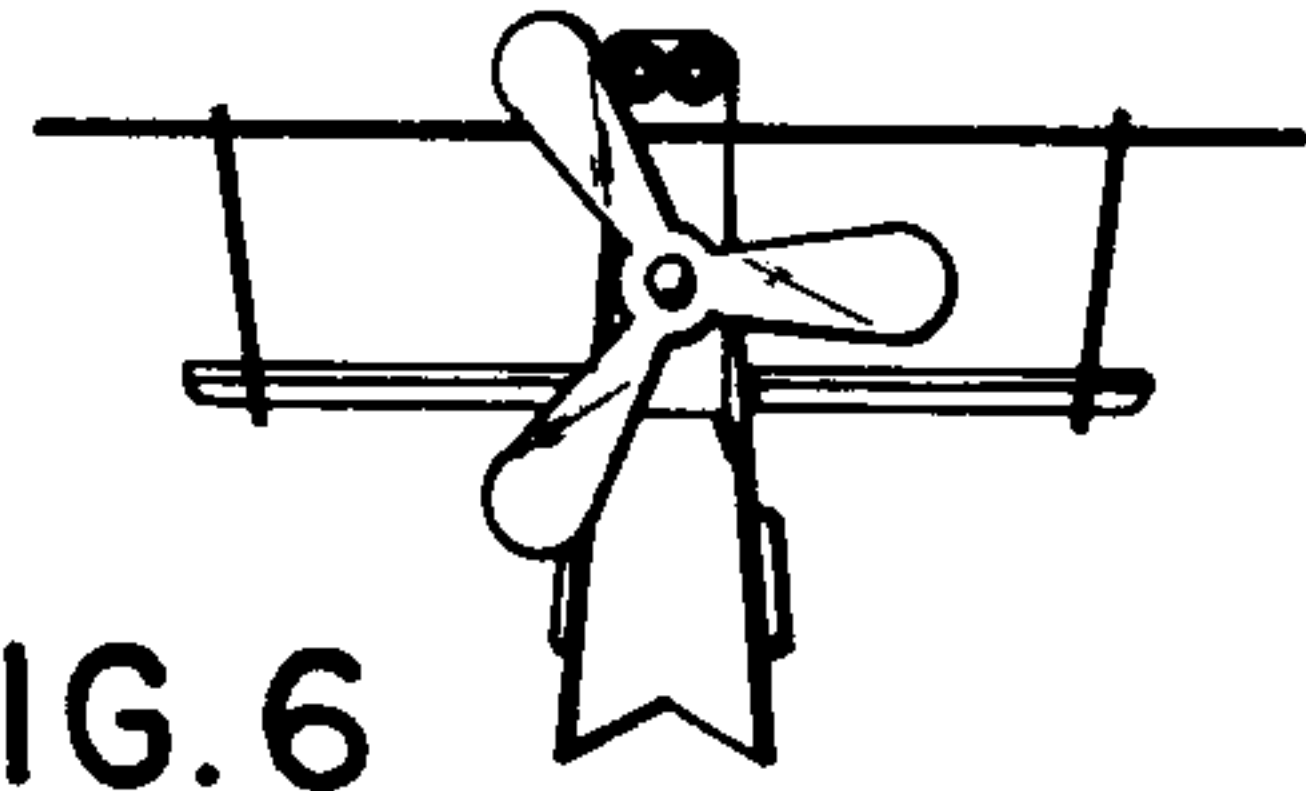


FIG. 6

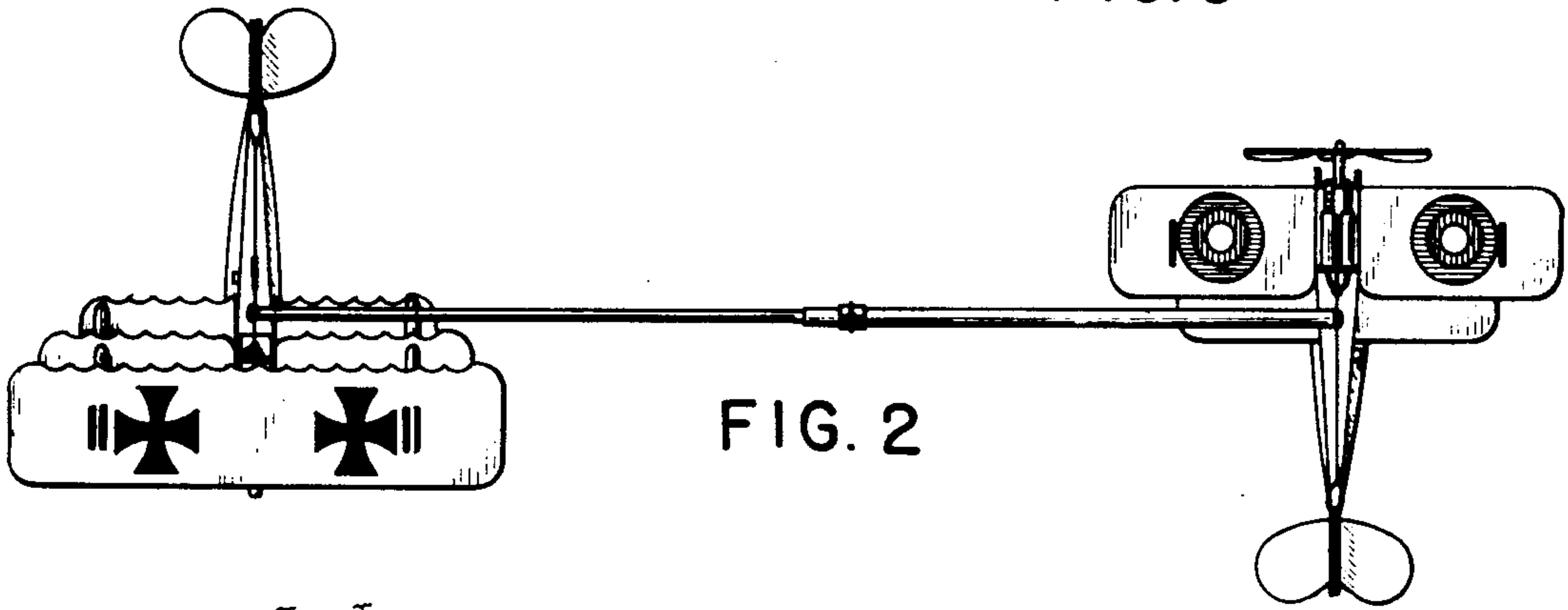


FIG. 2

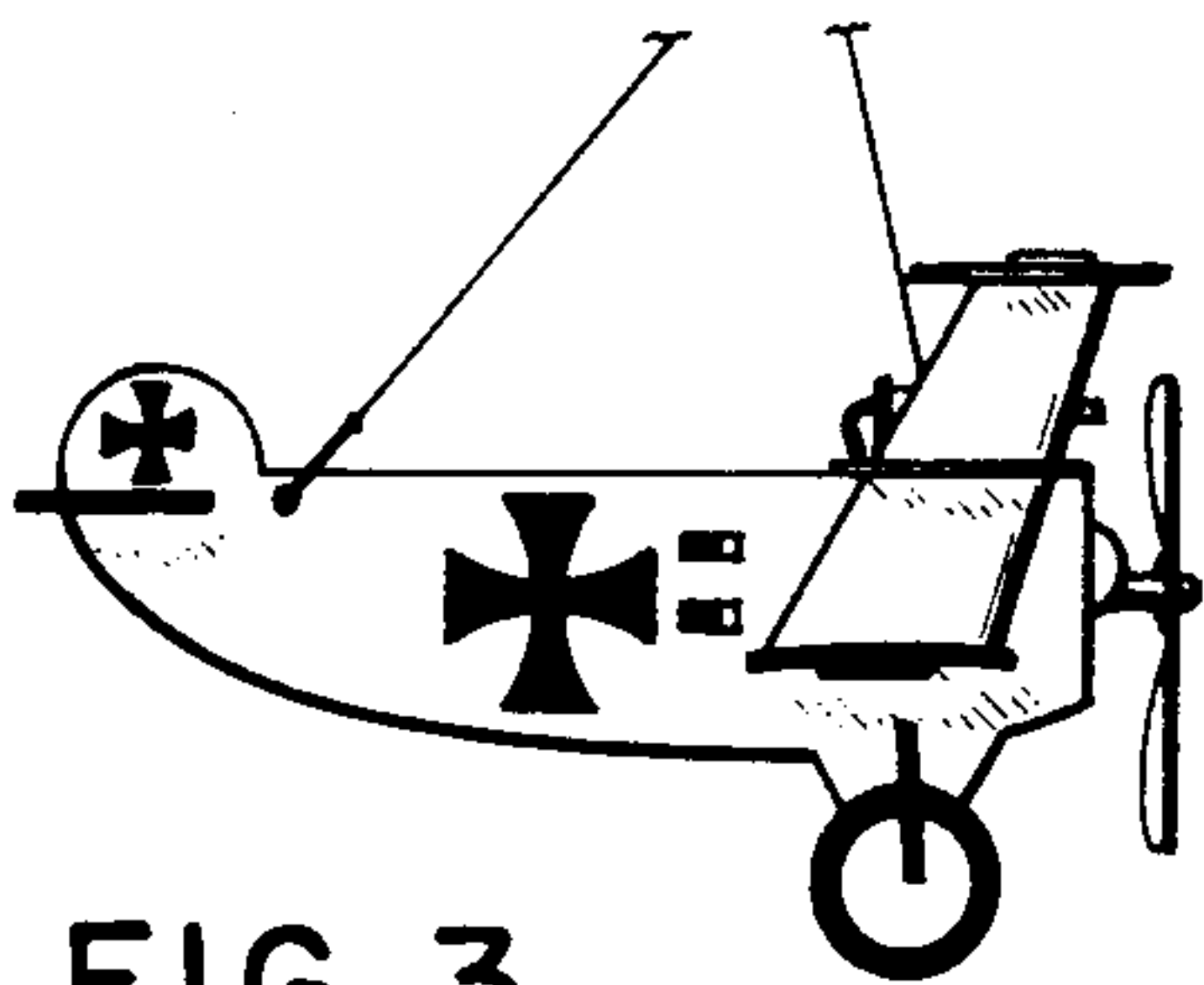


FIG. 3

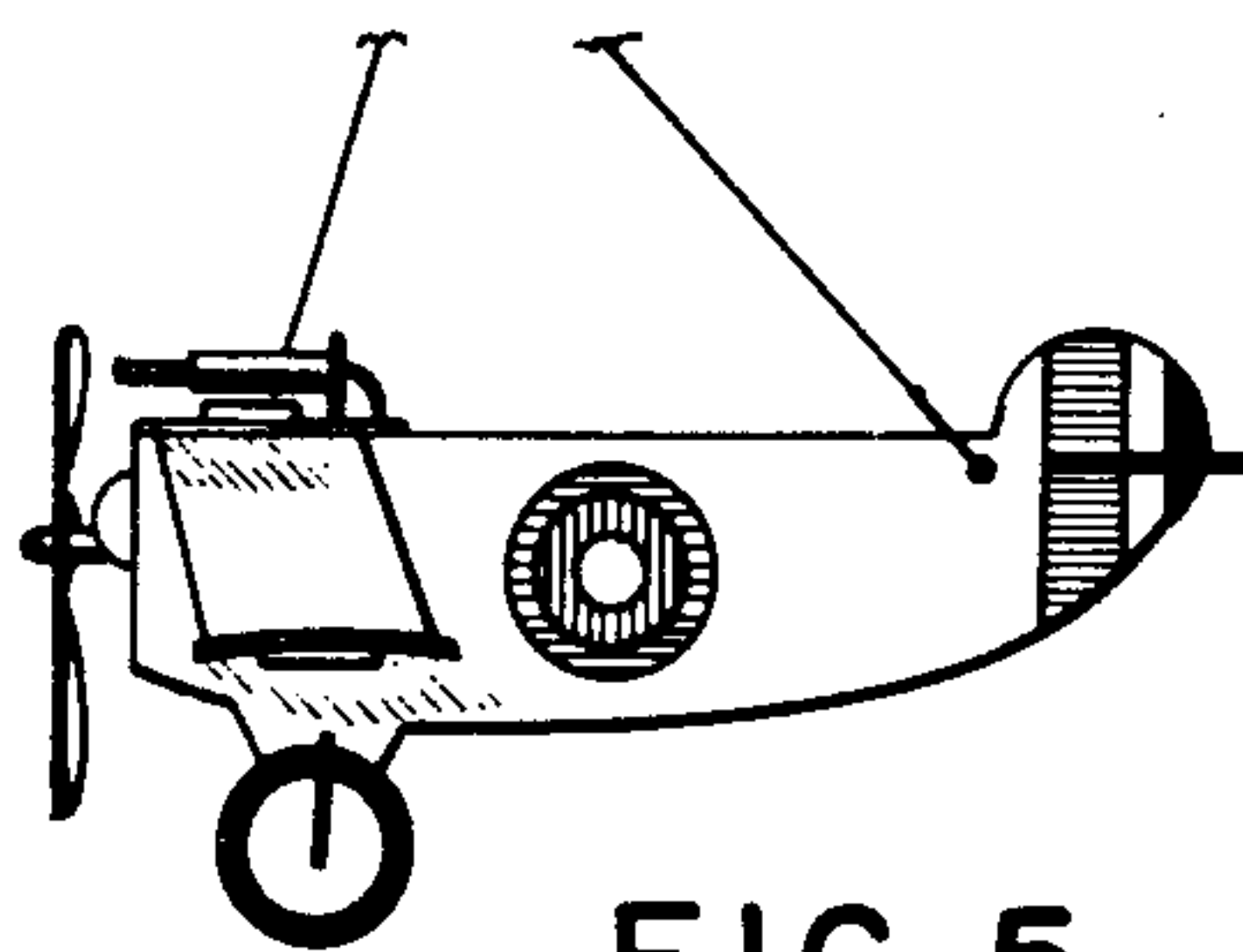


FIG. 5