

[54] **COMBINED CONTAINER FOR CANDY OR THE LIKE AND TOY BUILDING BLOCK**

[75] Inventor: **Peter K. Bayly**, Eltham North, Australia

[73] Assignee: **Nicholas Proprietary Limited**

[**] Term: **14 Years**

[21] Appl. No.: **901,022**

[22] Filed: **Apr. 27, 1978**

Related U.S. Application Data

[63] Continuation-in-part of Ser. No. 788,899, Apr. 19, 1977, Pat. No. Des. 252,978.

[30] **Foreign Application Priority Data**

Apr. 11, 1977 [AU] Australia 73249/77

[51] Int. Cl. **D9-01**

[52] U.S. Cl. **D9/10**

[58] **Field of Search** D21/108; D9/10, 12, D9/18, 59, 71, 222, 237-240; 46/23-30; 220/4 R, 4 C, 23.2-23.83; 215/1 R, 1 C, 1 D

[56] **References Cited**

U.S. PATENT DOCUMENTS

D. 244,992	7/1977	Van der Veken	D21/108 X
D. 246,927	1/1978	Christiansen	D21/108
D. 252,978	9/1979	Bayly	D21/108 X
2,631,747	3/1953	Stolte	215/10

3,005,282	10/1961	Christiansen	46/25
3,034,254	5/1962	Christiansen	46/25
3,194,426	7/1965	Brown, Jr.	220/23.4
3,374,917	3/1968	Troy	220/23.4
3,546,807	12/1970	Howe	46/23
3,717,948	2/1973	Schnabel	46/25

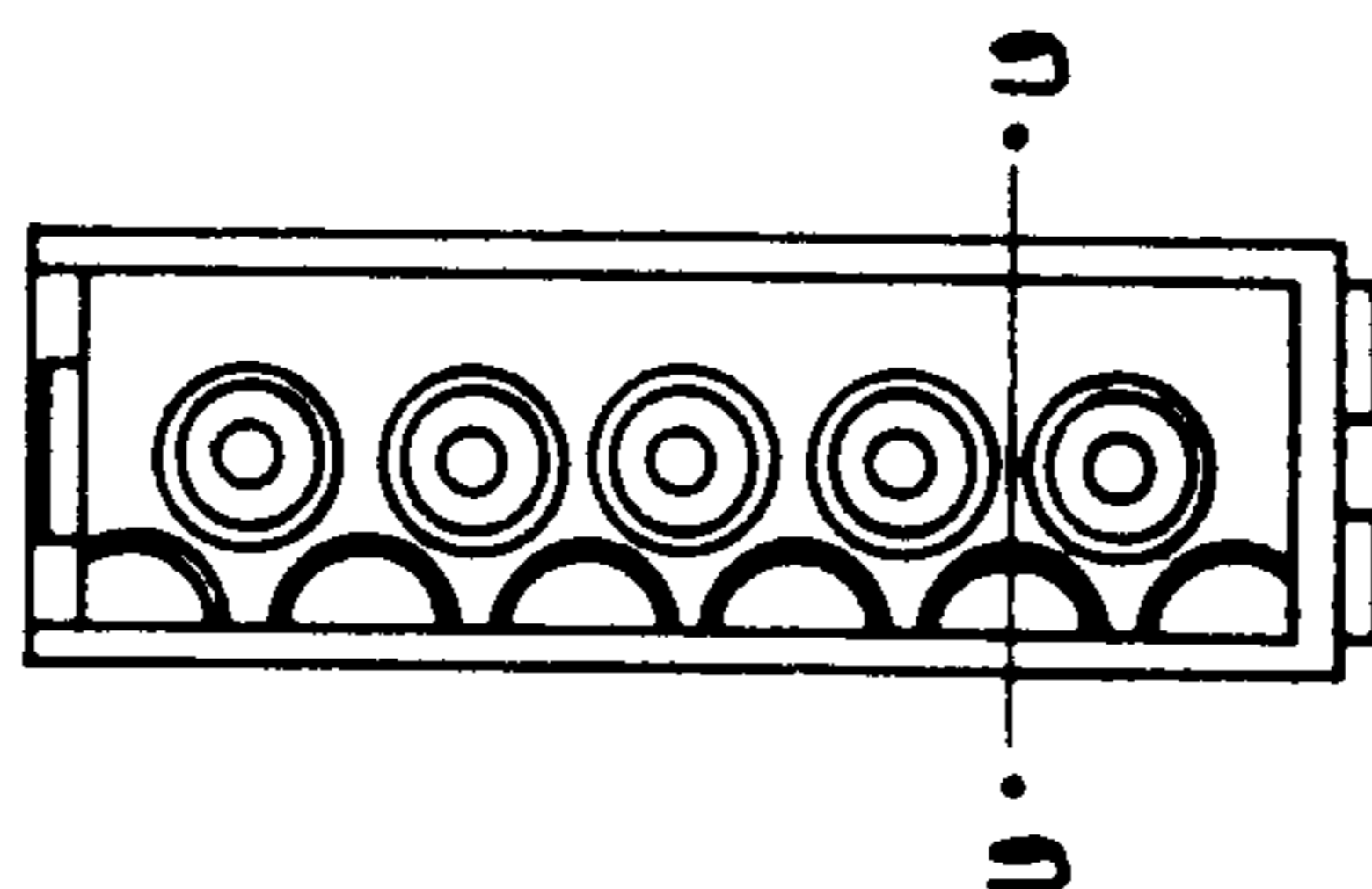
Primary Examiner—Robert C. Spangler
Attorney, Agent, or Firm—M. A. Burmeister

[57] **CLAIM**

The ornamental design for a combined container for candy or the like and toy building block, as shown.

DESCRIPTION

FIG. 1 is a front elevational view of a combined container for candy or the like and toy building block showing my new design;
FIG. 2 is a top plan view;
FIG. 3 is a bottom plan view;
FIG. 4 is an elevational view looking from the left of FIG. 1;
FIG. 5 is an elevational view looking from the right of FIG. 1;
FIG. 6 is a sectional view taken on the line 6—6 of FIG. 5 looking from the left;
FIG. 7 is a sectional view taken on the line 7—7 of FIG. 1 looking from the right;
FIG. 8 is an enlarged fragmentary sectional view taken on the line 8—8 of FIG. 4 looking down;
FIG. 9 is an enlarged fragmentary sectional view taken on the line 9—9 of FIG. 3 looking from the left.



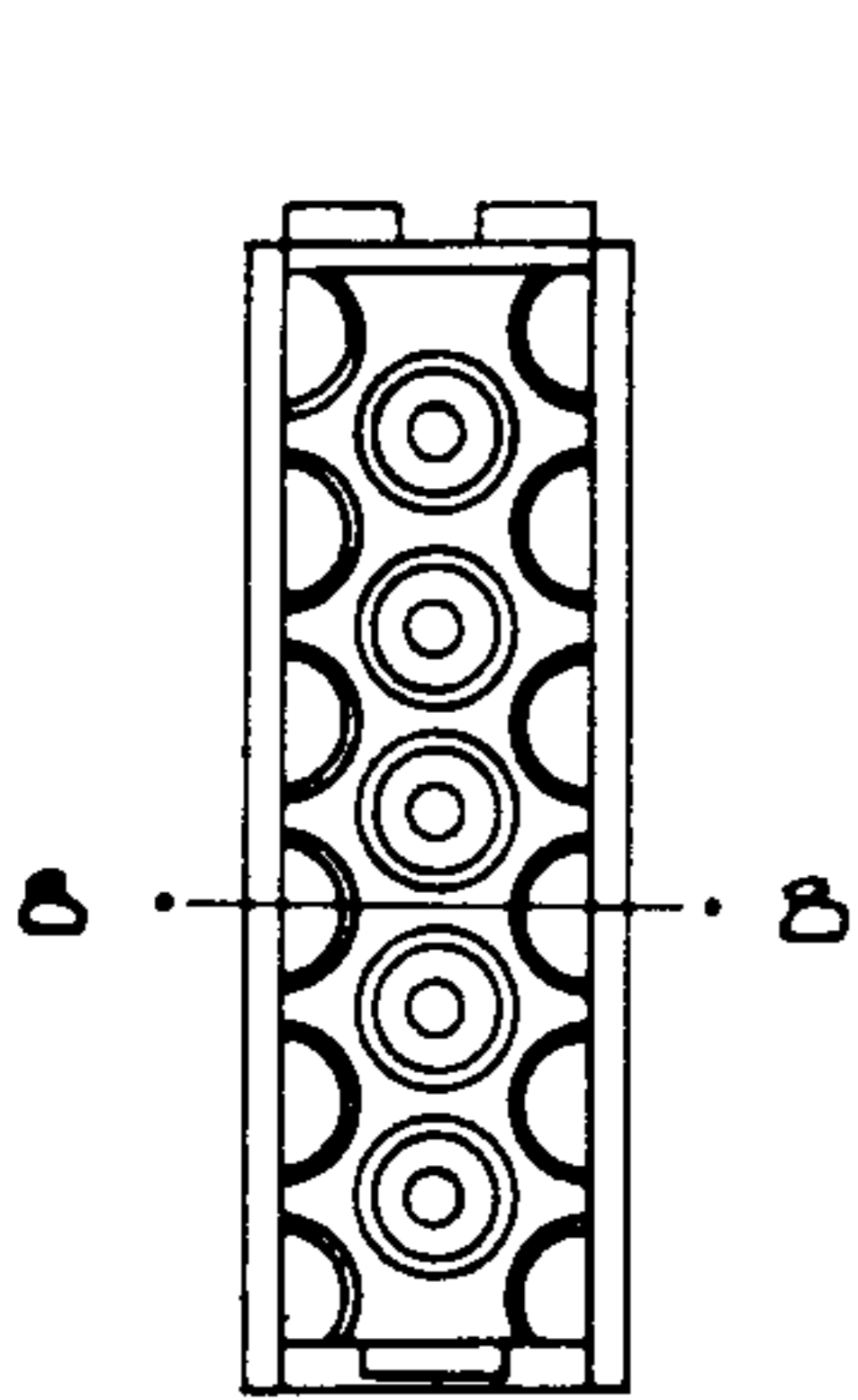


FIG. 4.

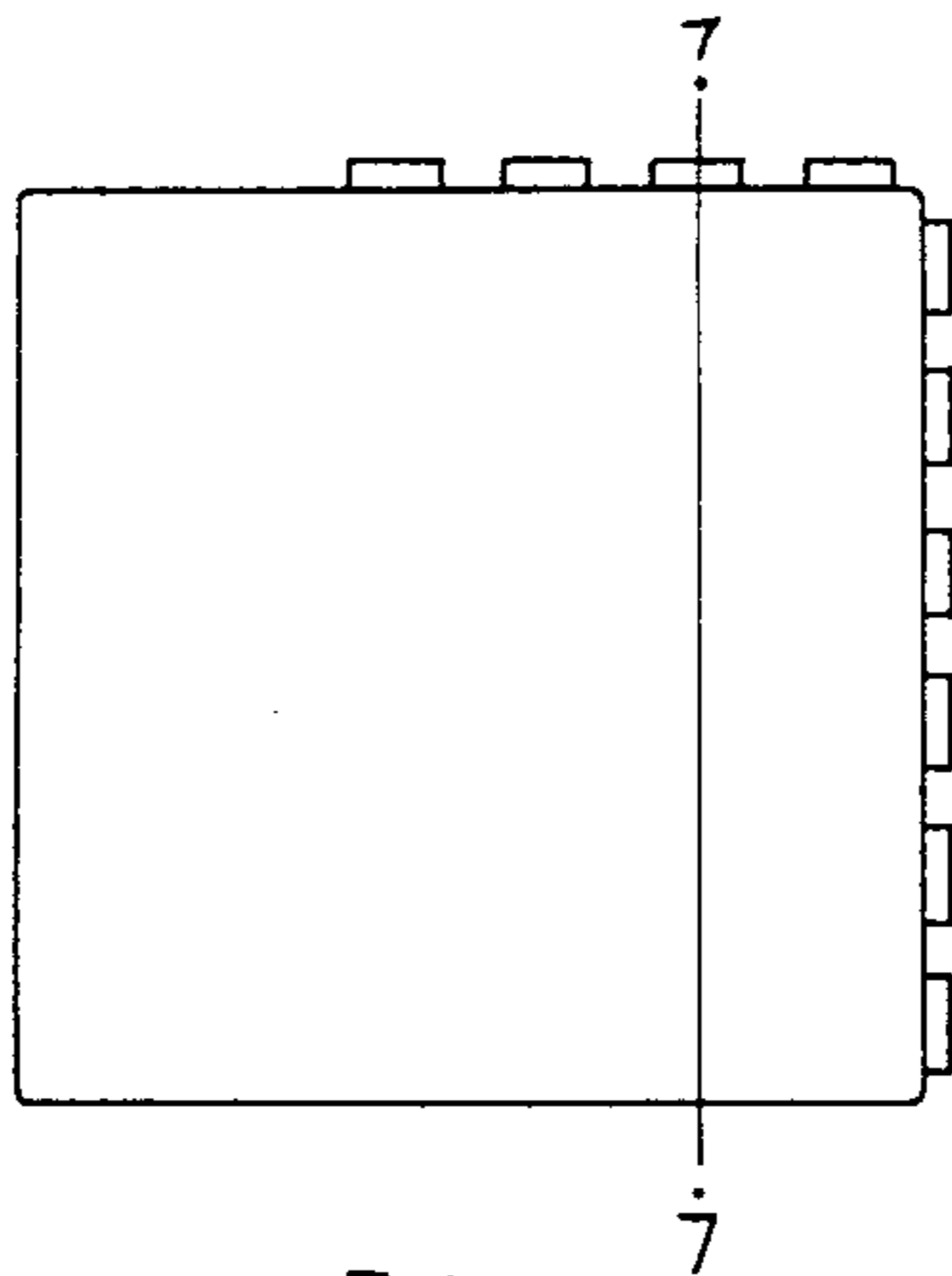


FIG. 1.

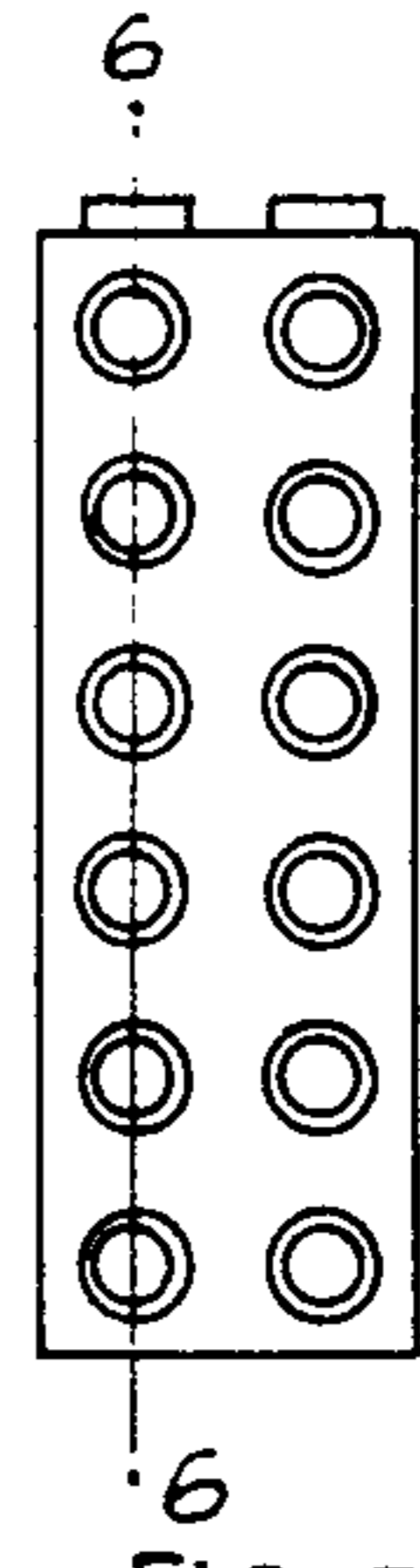


FIG. 5.

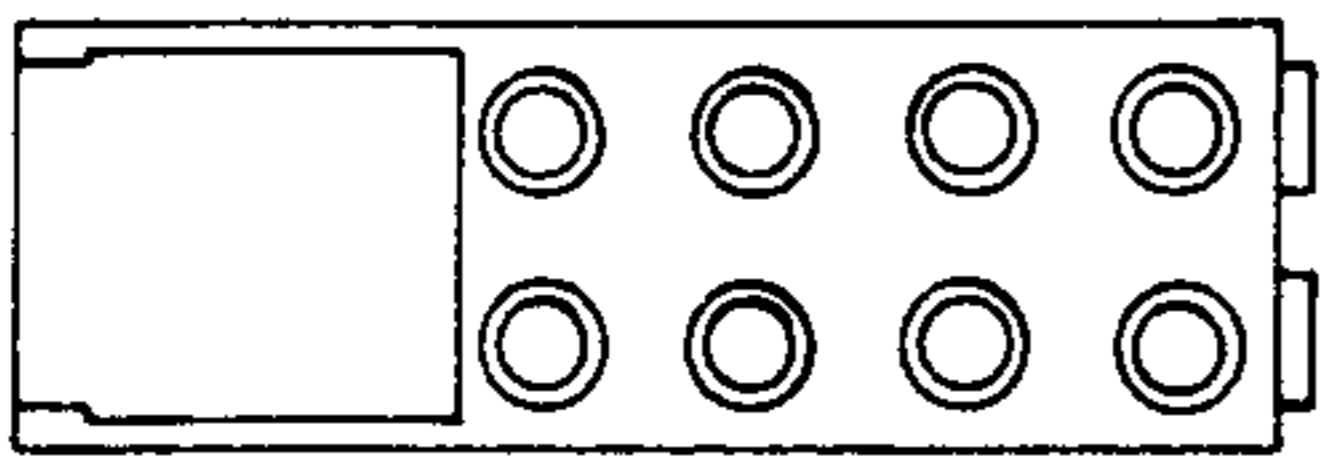


FIG. 2.

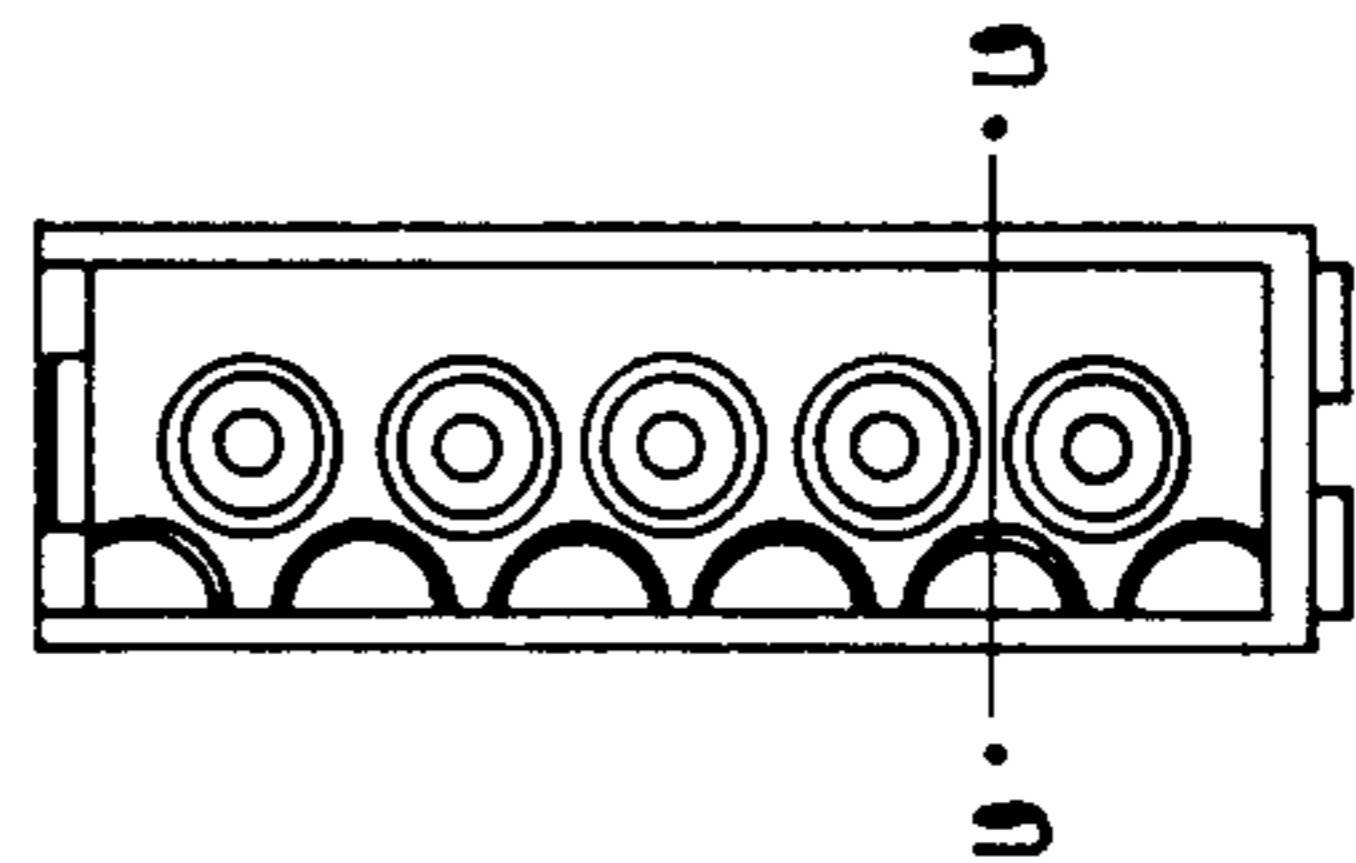


FIG. 3.

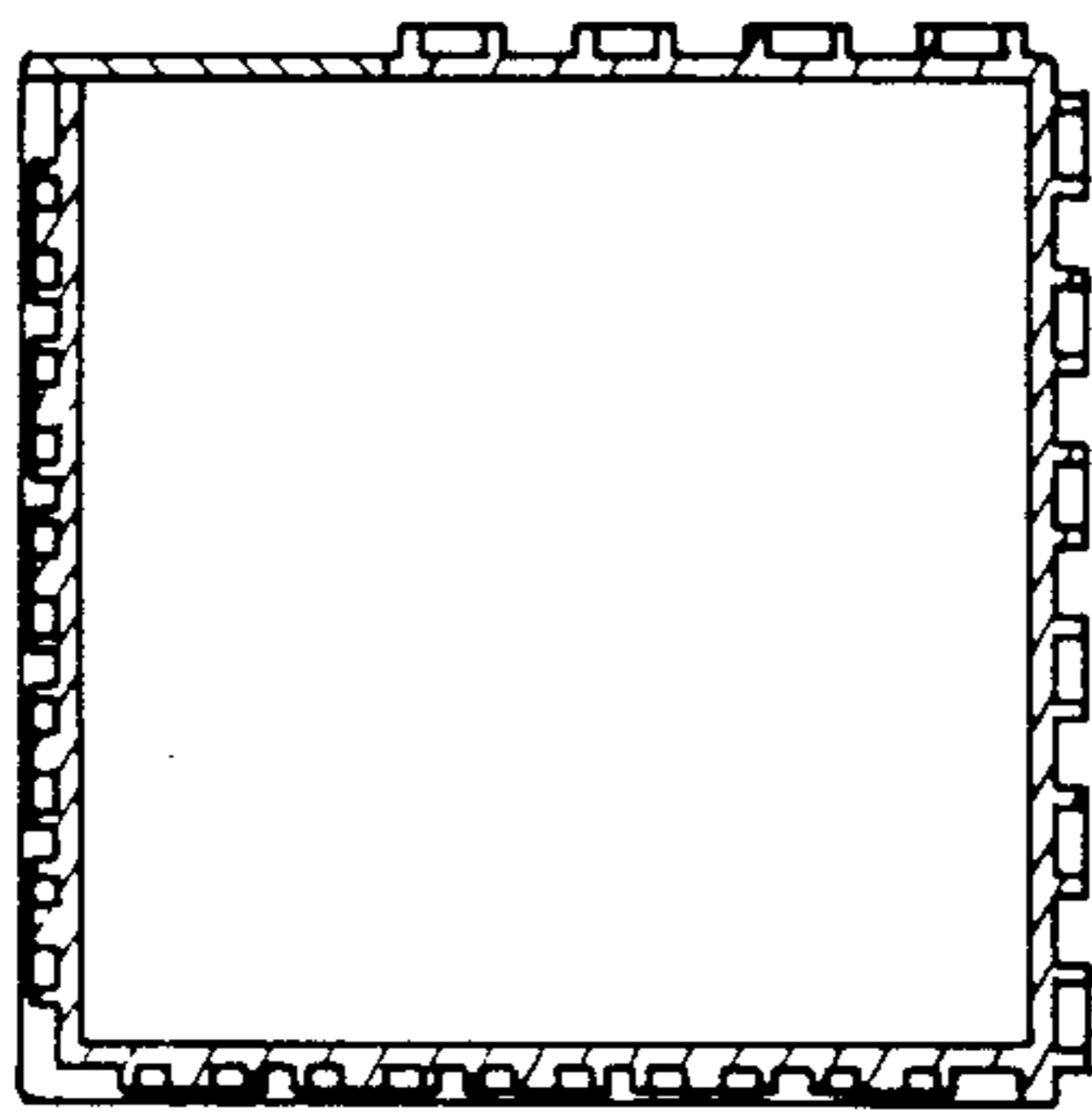


FIG. 6.

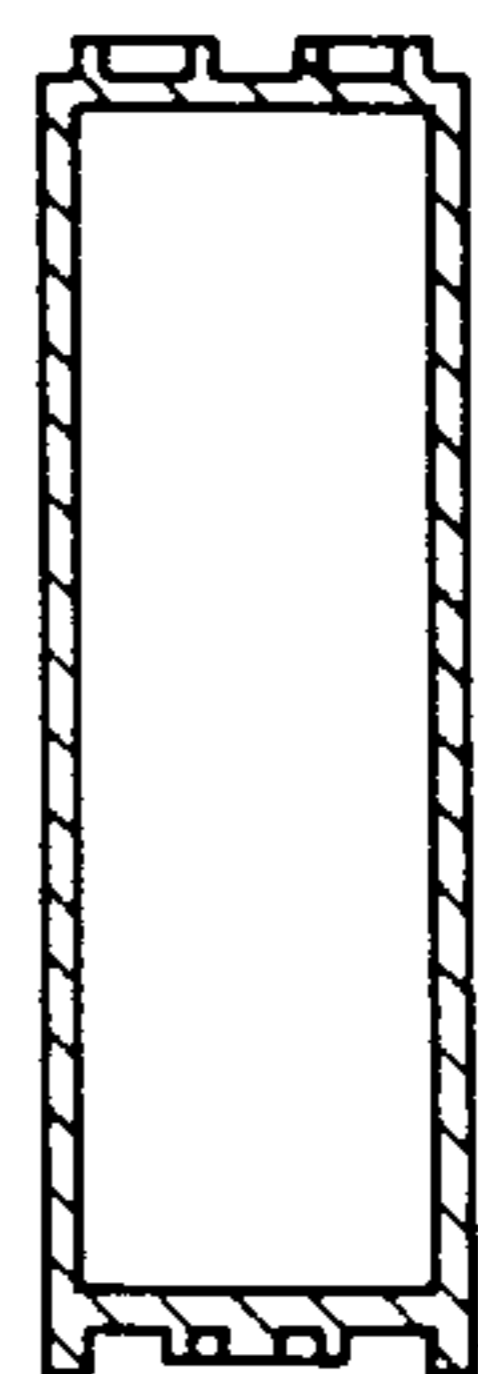


FIG. 7.

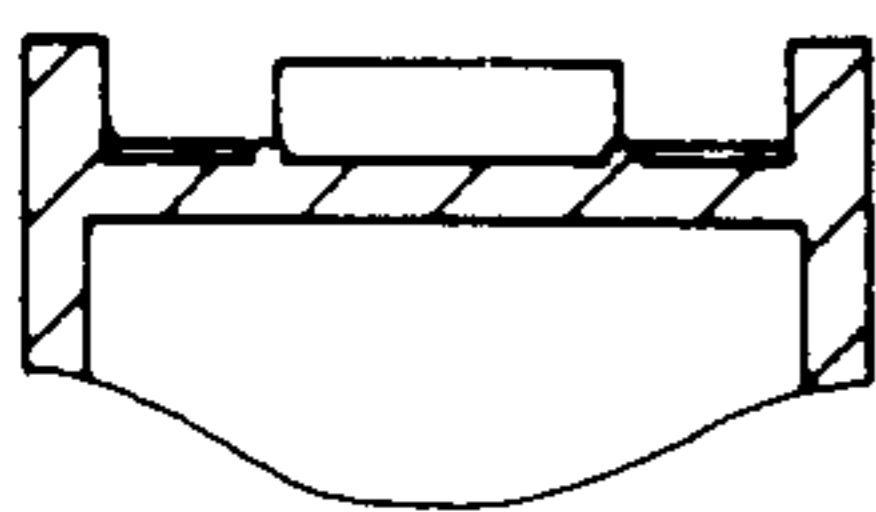


FIG. 8.

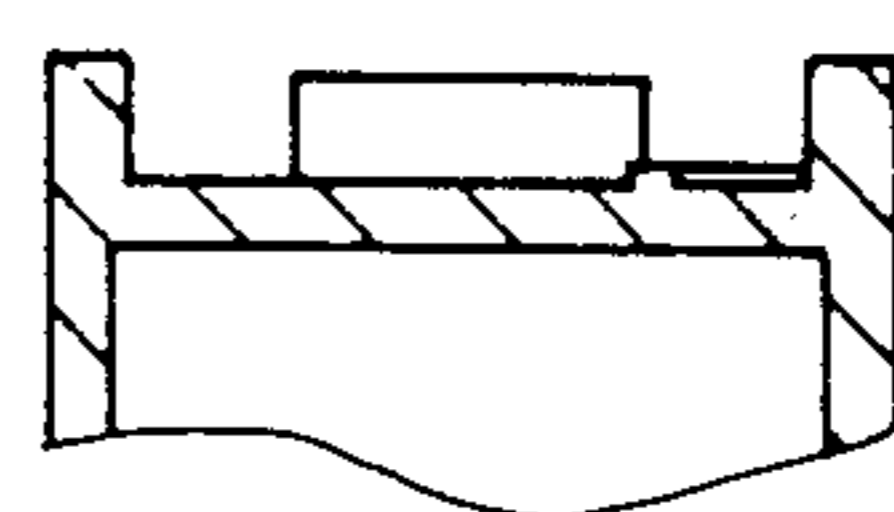


FIG. 9.