

[54] BASKETBALL GAME BOARD

[75] Inventor: Teruo Matsumoto, Tokyo, Japan
[73] Assignee: Epoch Company Ltd., Tokyo, Japan
[**] Term: 14 Years
[21] Appl. No.: 930,001
[22] Filed: Aug. 1, 1978

[51] Int. Cl. D21-01
[52] U.S. Cl. D21/27; D21/5
[58] Field of Search D21/27, 5; 273/85 E

[56] References Cited

U.S. PATENT DOCUMENTS

D. 226,861 5/1973 Matsumoto D21/5

OTHER PUBLICATIONS

F. A. O. Schwarz, Fall/Winter, 1977-1978, p. 31, lower left, Item "J", Basketball Game.

Primary Examiner—Melvin B. Feifer
Attorney, Agent, or Firm—James D. Halsey, Jr.

[57] CLAIM

The ornamental design for a basketball game board, as shown and described.

DESCRIPTION

FIG. 1 is a perspective view of a basketball game board embodying my new design;
FIG. 2 is a top plan view thereof (the bottom being flat and unornamented);
FIG. 3 is a front elevational view thereof (the rear elevational view being a mirror image thereof); and
FIG. 4 is a right side elevational view thereof (the left side elevational view being a mirror image thereof).

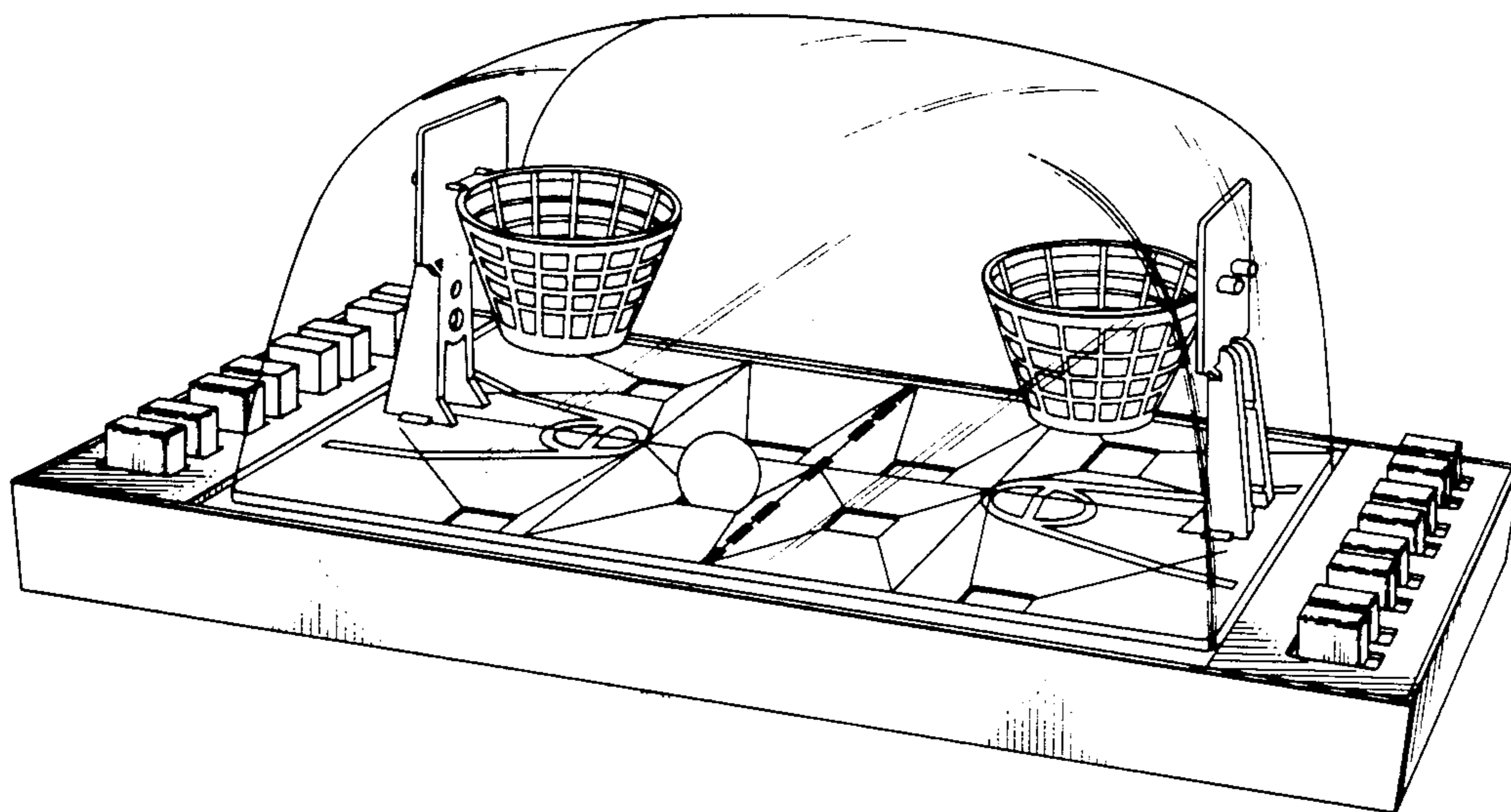


FIG. 1.

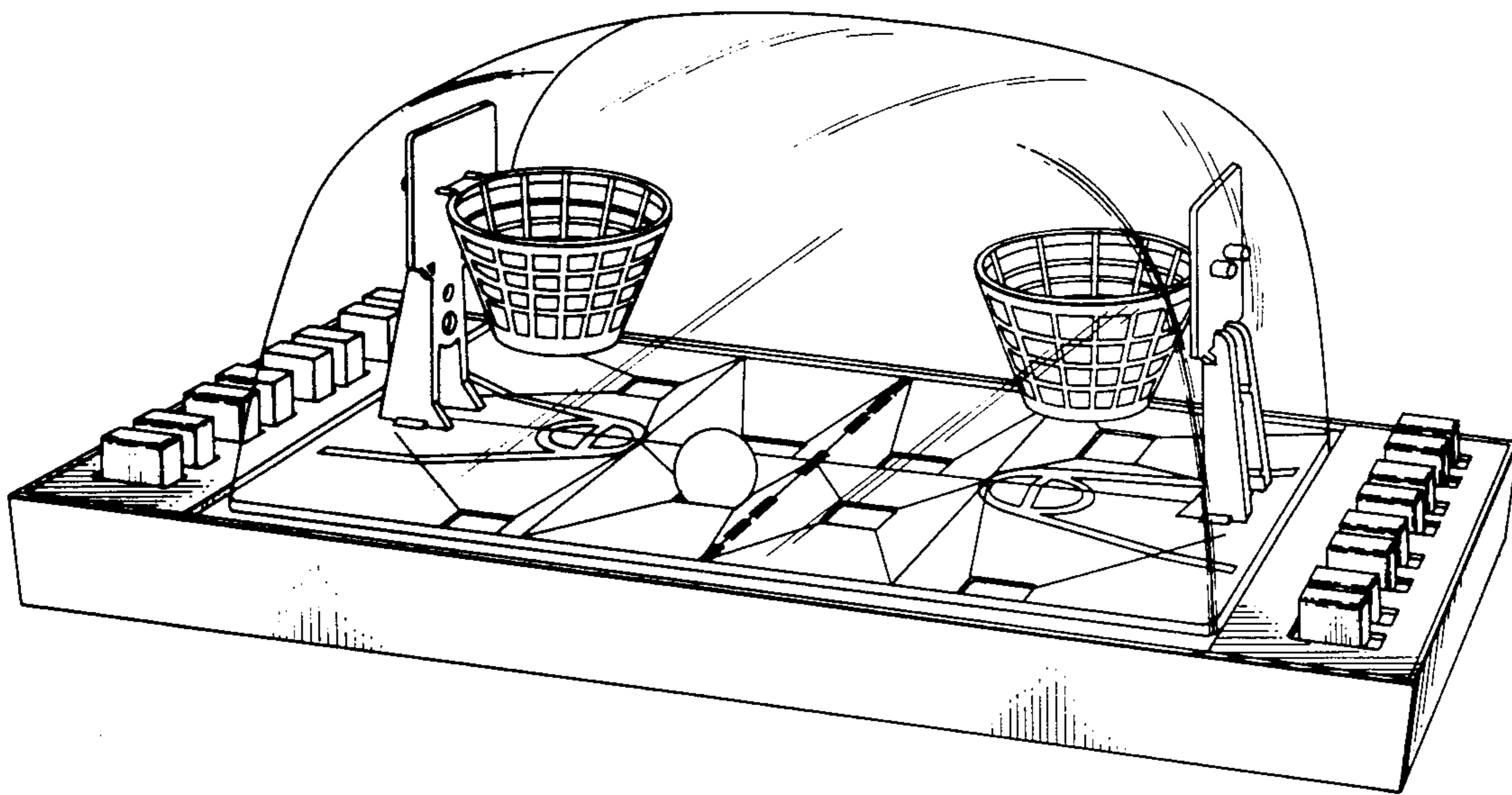


FIG. 2.

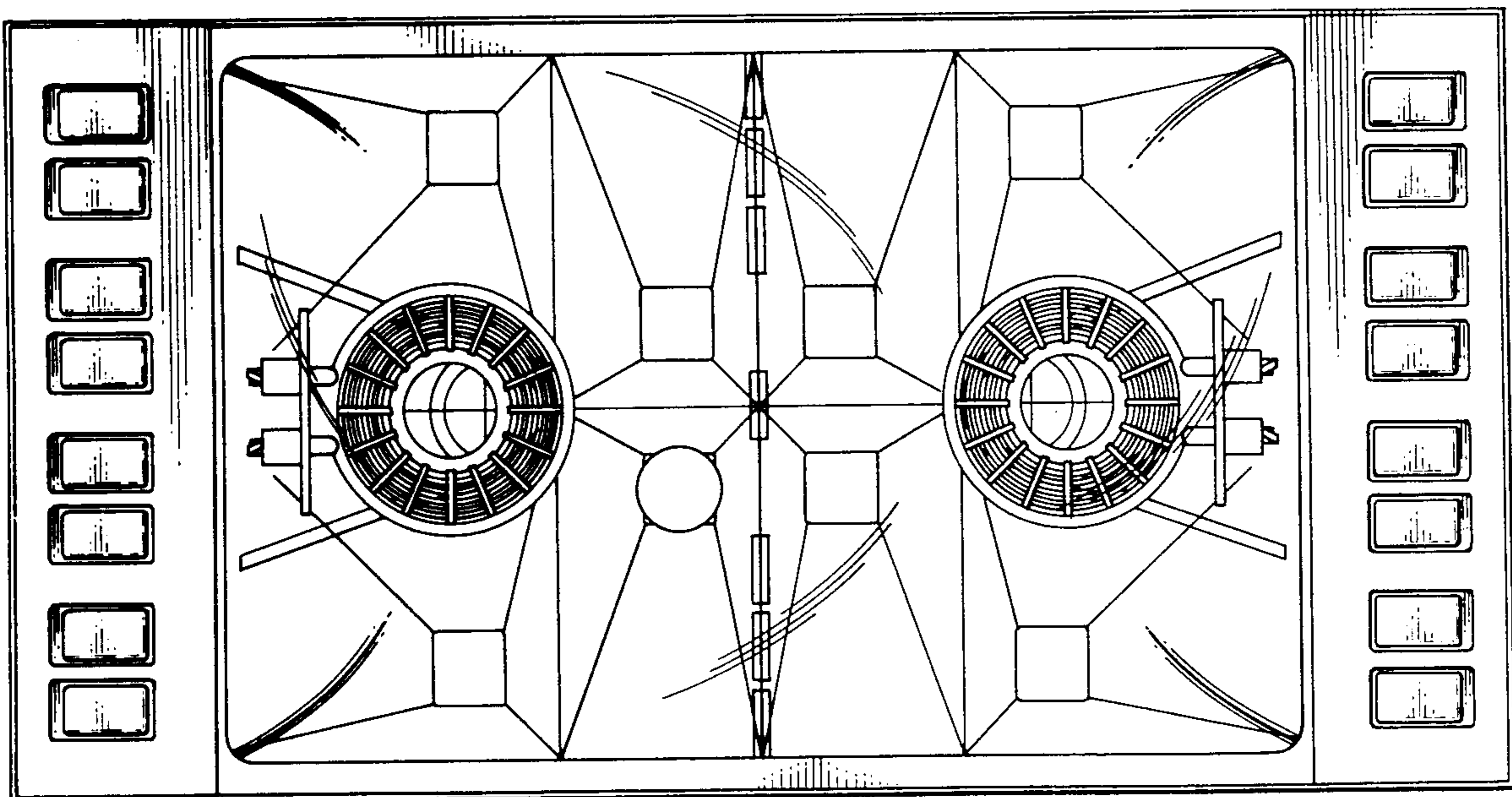


FIG. 3.

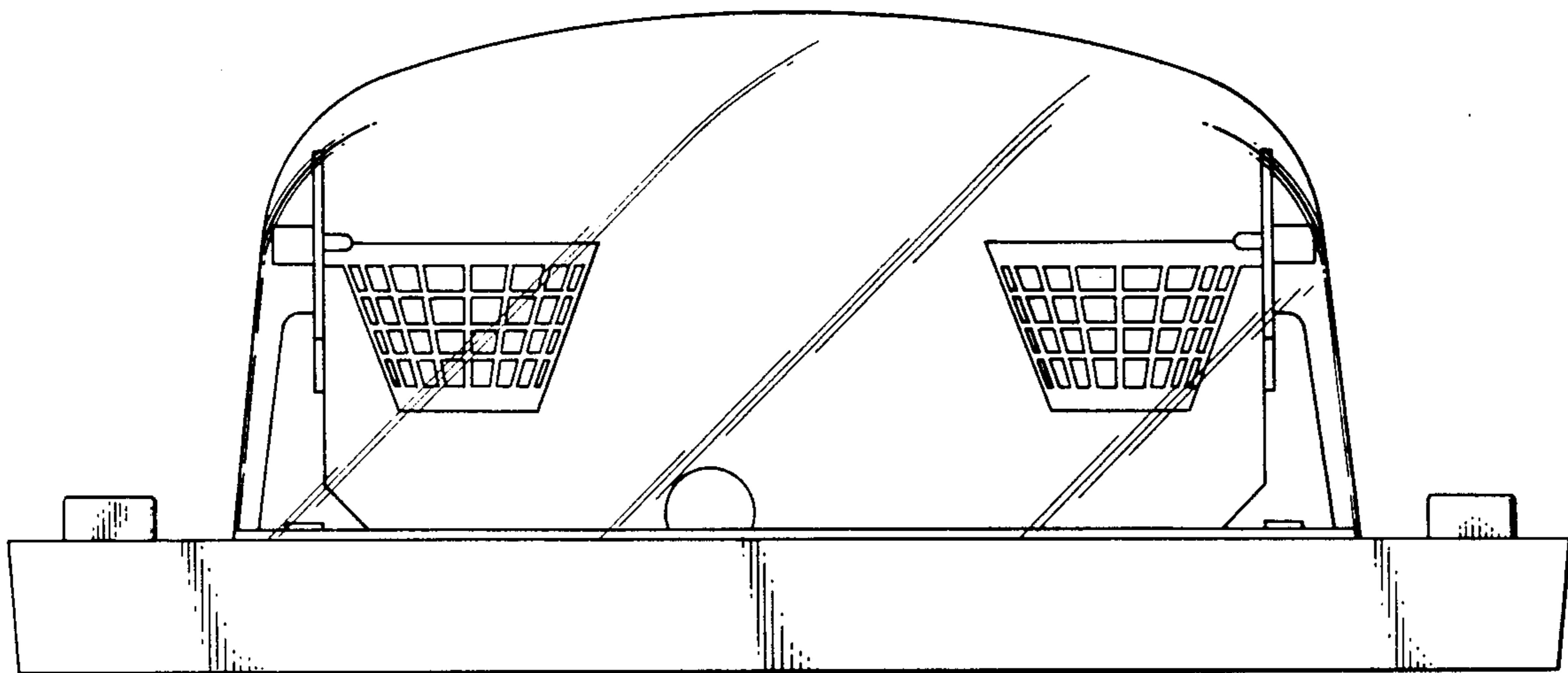


FIG. 4.

