

[54] FISHING REEL

[75] Inventors: Masakazu Sakamoto; Tetsuyuki Doi, both of Fukuyama, Japan

[73] Assignee: Ryobi Limited, Hiroshima, Japan

[\*\*] Term: 14 Years

[21] Appl. No.: 56,389

[22] Filed: Jul. 10, 1979

[30] Foreign Application Priority Data

Jan. 16, 1979 [JP] Japan ..... 54-1173

[51] Int. Cl. .... D22-05

[52] U.S. Cl. .... D22/25

[58] Field of Search ..... D22/25; 242/84.1, 84.21, 242/84.2; 43/23

[56] References Cited

U.S. PATENT DOCUMENTS

D. 245,784 9/1977 Okada ..... D22/25  
D. 253,840 1/1980 Hiraishi ..... D22/25

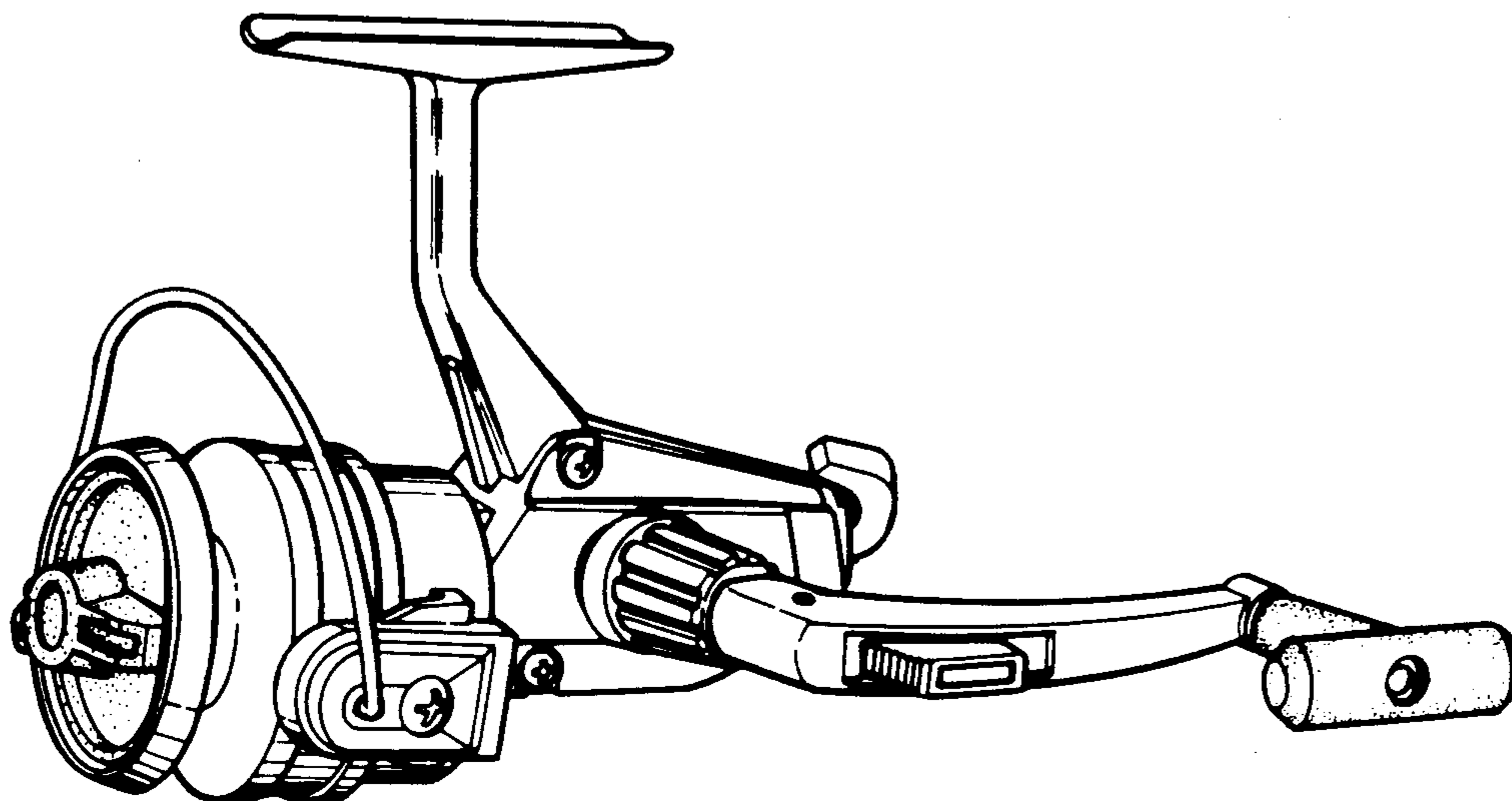
Primary Examiner—A. Hugo Word  
Attorney, Agent, or Firm—William A. Drucker

[57] CLAIM

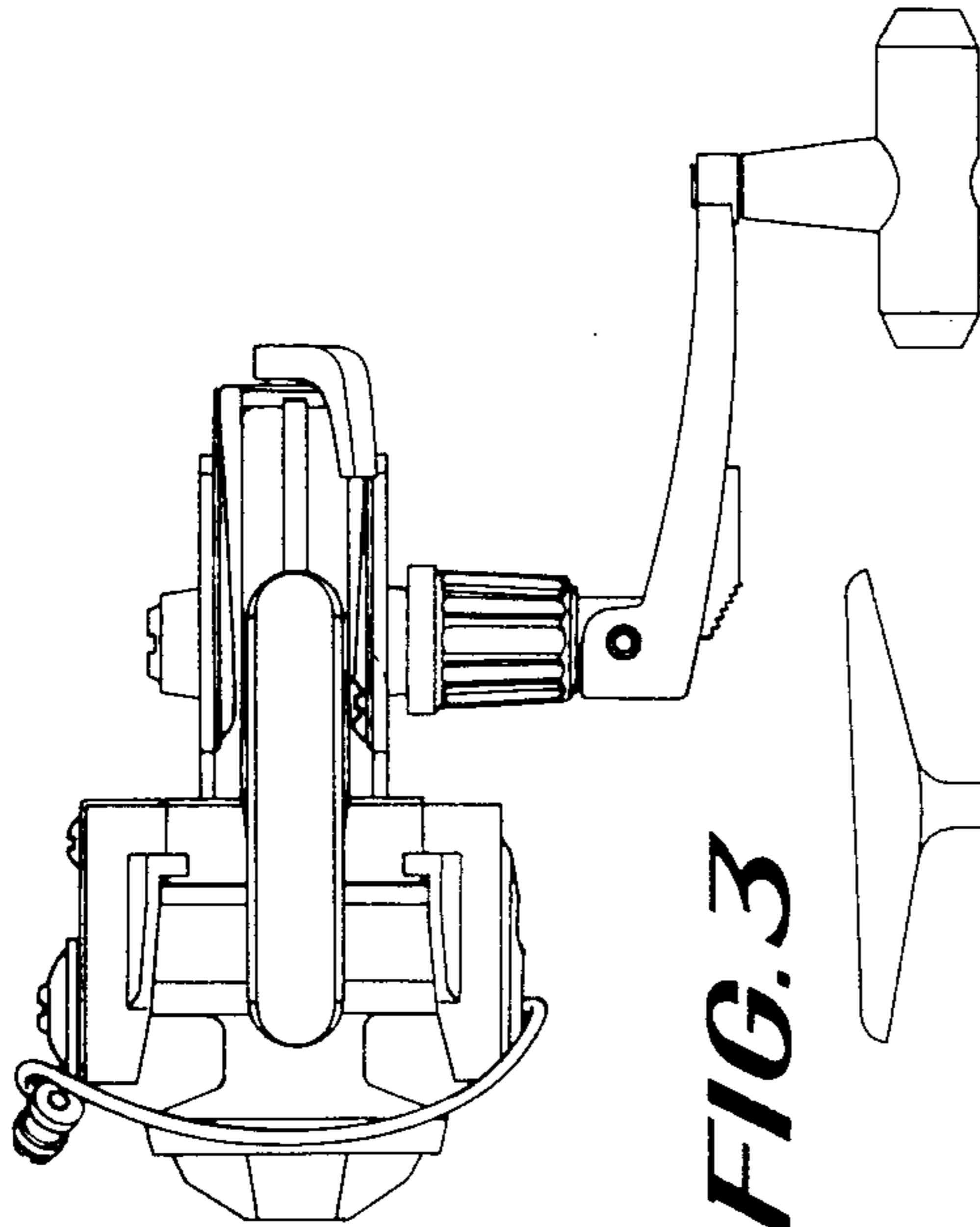
The ornamental design for the fishing reel, as shown and described.

DESCRIPTION

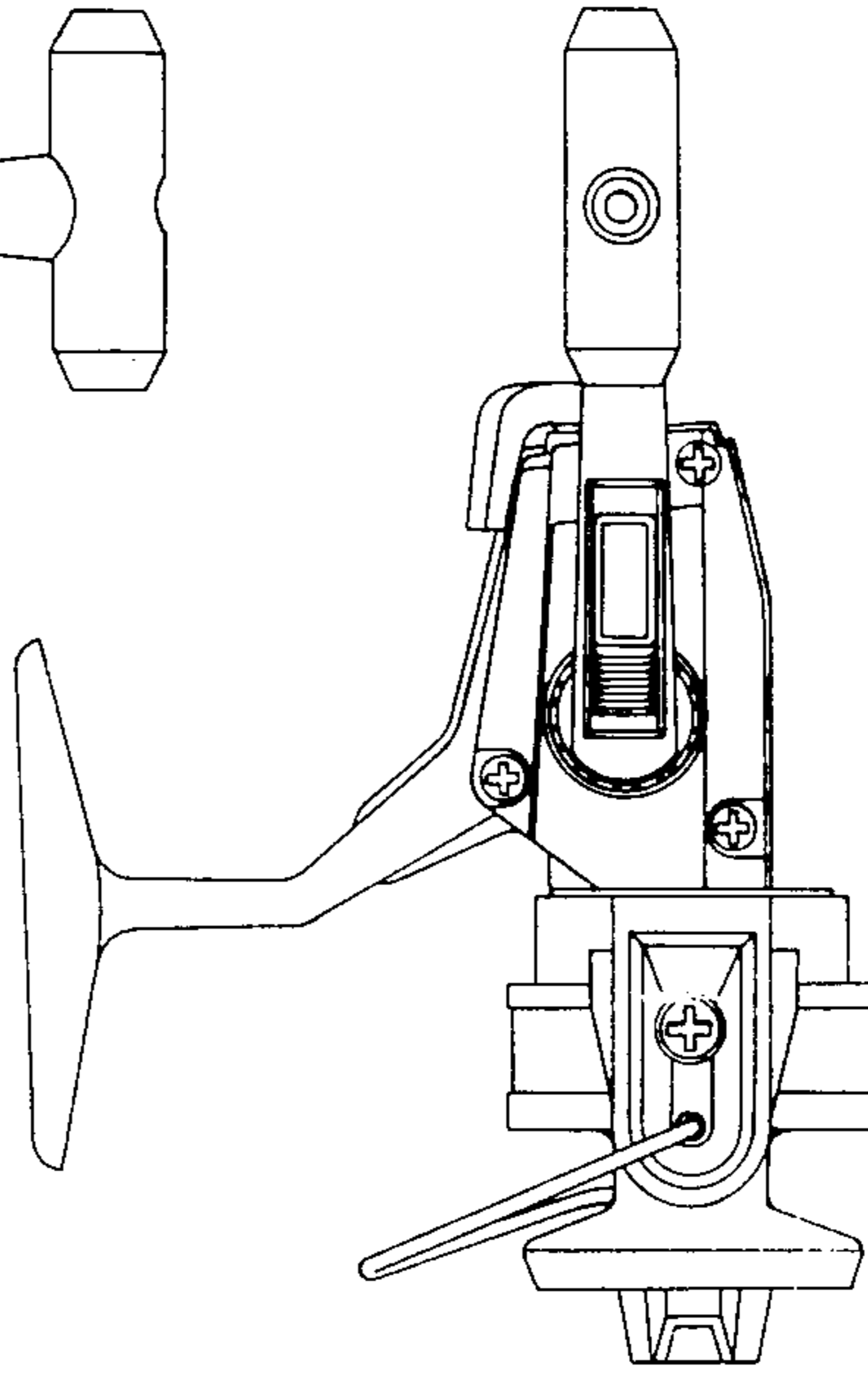
FIG. 1 is a left side view of the fishing reel embodying our invention;  
FIG. 2 is a top plan view of the fishing reel as shown in FIG. 1;  
FIG. 3 is a front view of the fishing reel as shown in FIG. 1;  
FIG. 4 is a bottom view of the fishing reel as shown in FIG. 1;  
FIG. 5 is a rear view of the fishing reel as shown in FIG. 1;  
FIG. 6 is a right side view of the fishing reel as shown in FIG. 1;  
FIG. 7 is a front perspective view of the fishing reel as shown in FIG. 1; and  
FIG. 8 is a perspective view of the fishing reel as shown in FIG. 1 as seen from the opposite end.



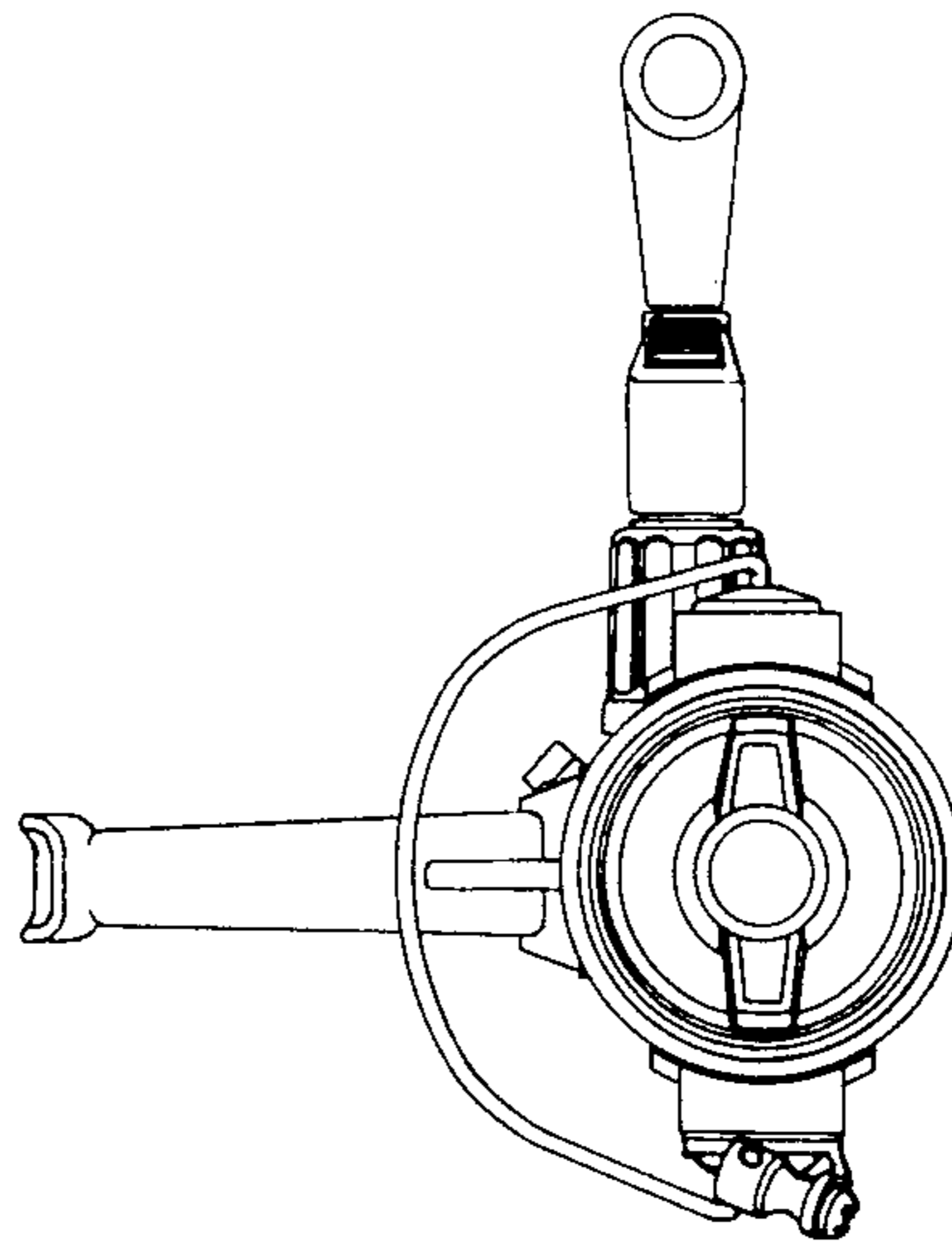
**FIG. 2**



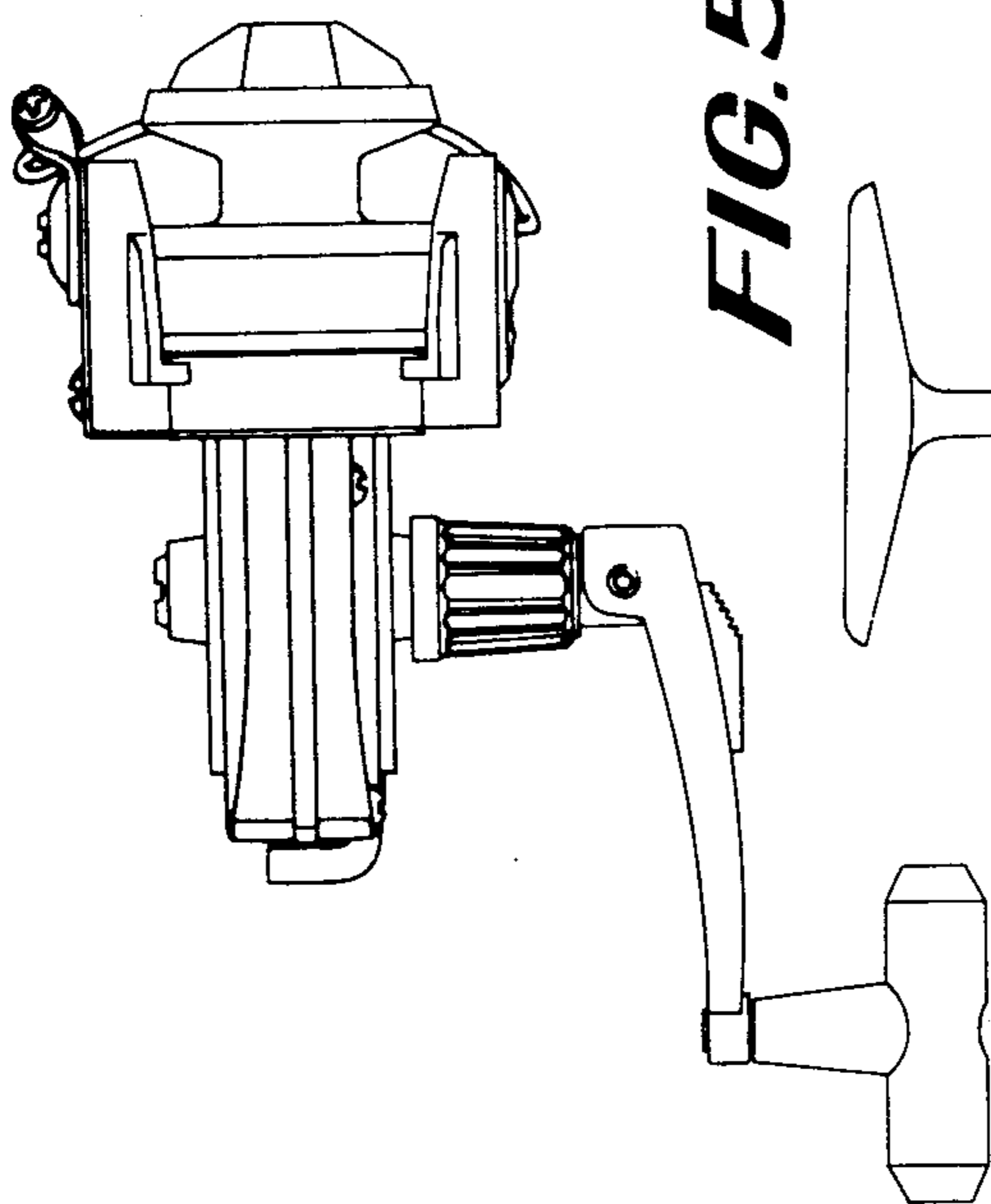
**FIG. 3**



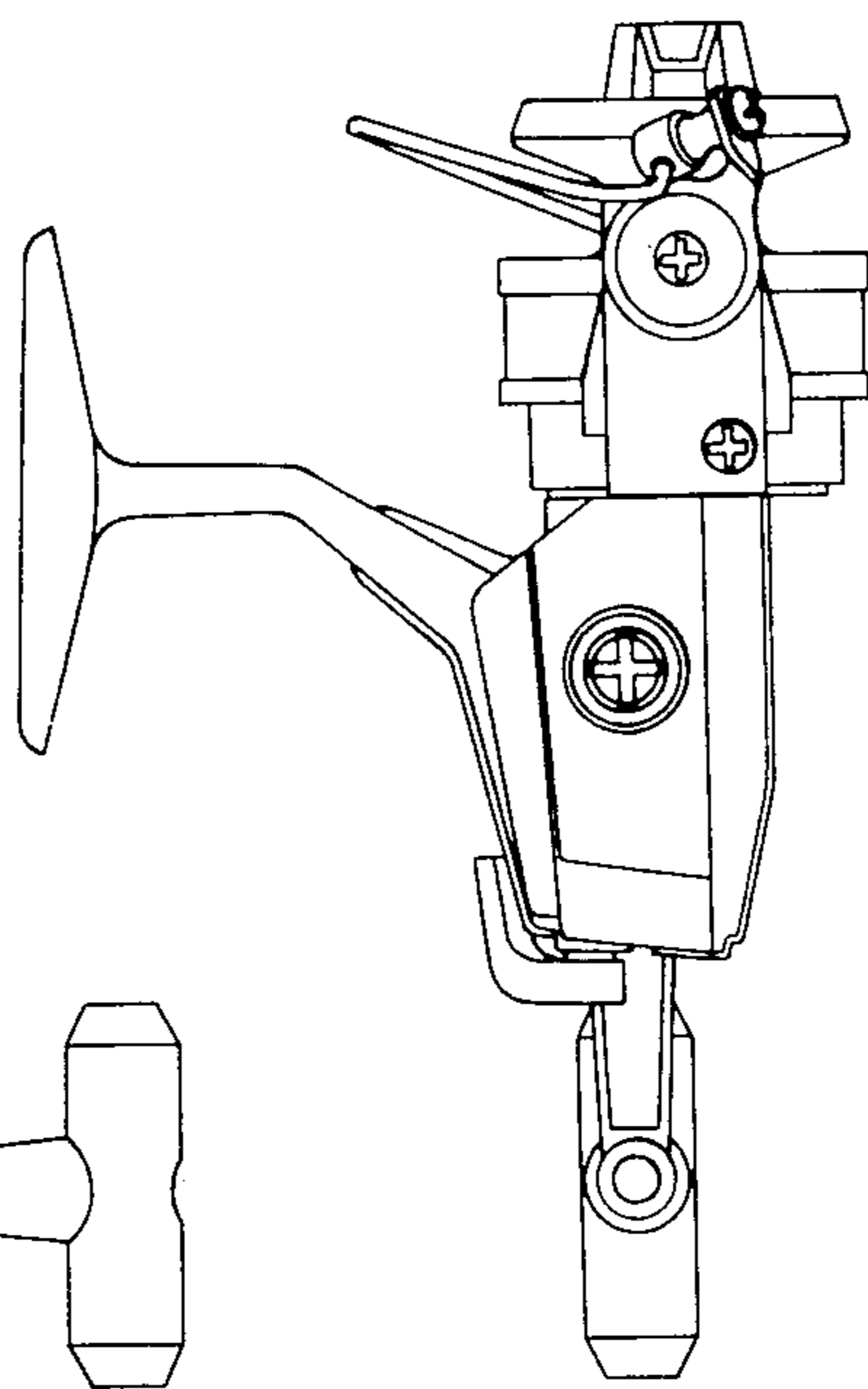
**FIG. 1**



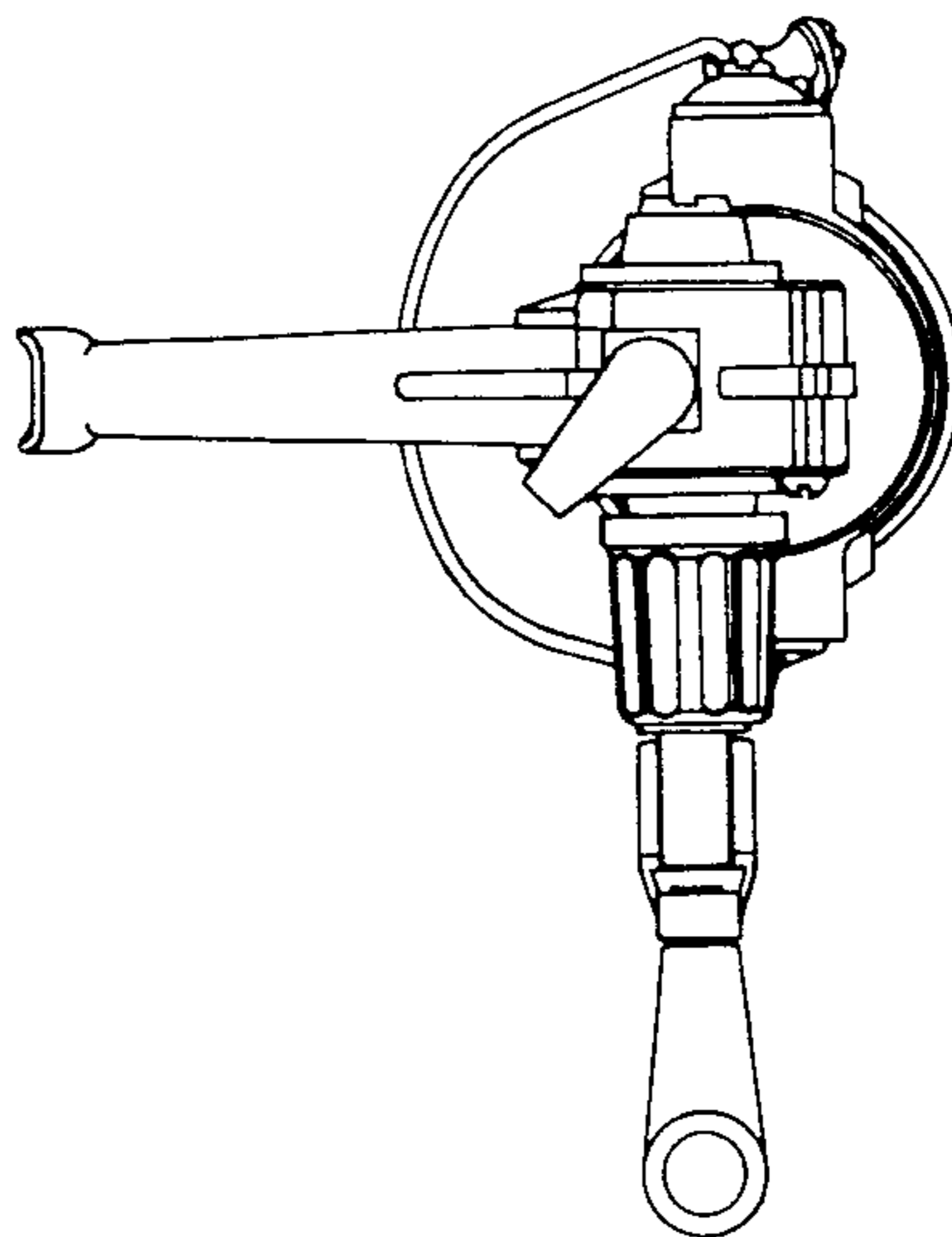
**FIG. 4**



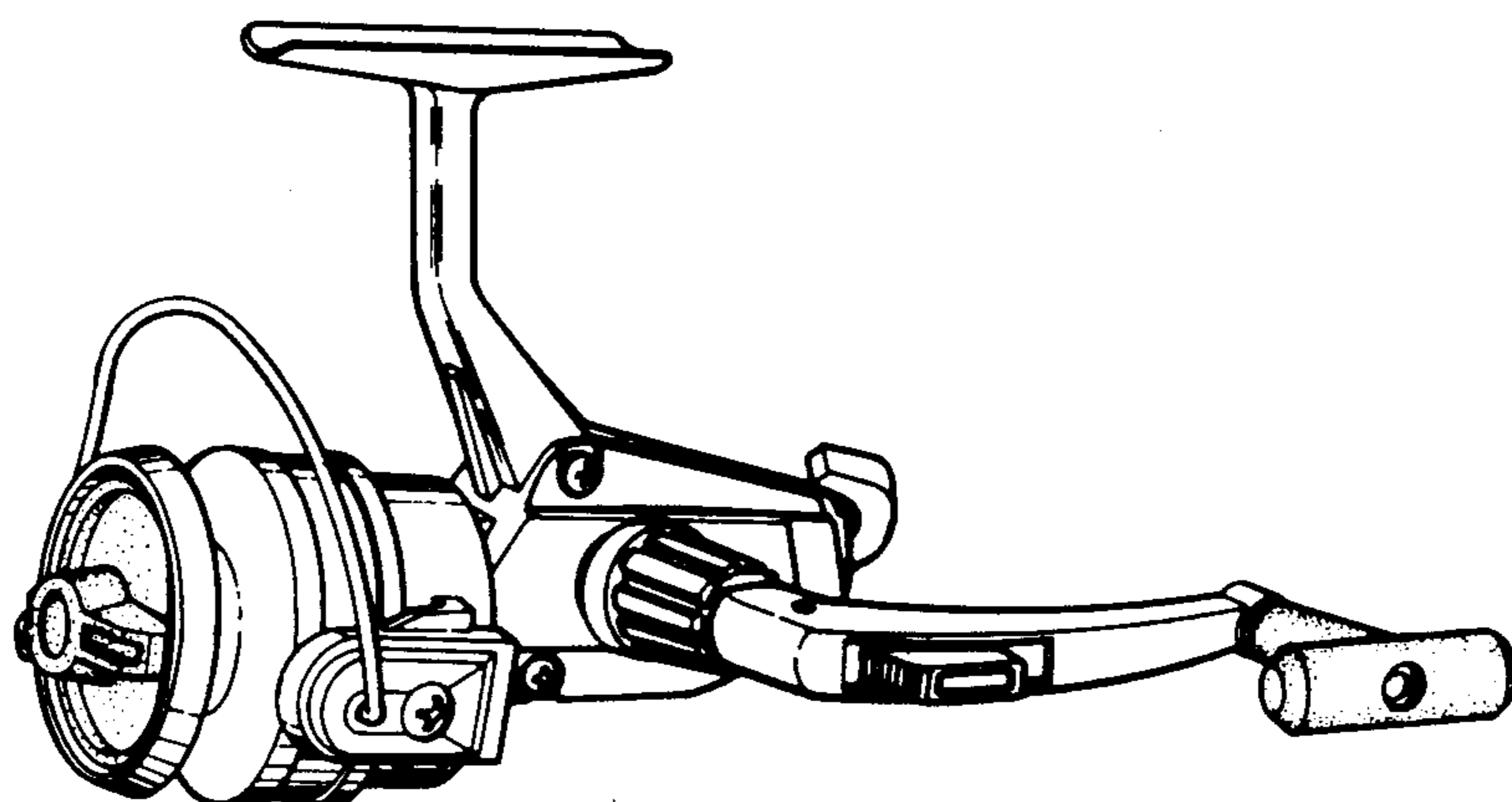
**FIG. 5**



**FIG. 6**



**FIG. 7**



**FIG. 8**

