

[54] DUPLICATOR

[75] Inventor: Koji Horii, Tokyo, Japan

[73] Assignee: Horii Toshado Kabushiki Kaisha, Tokyo, Japan

[**] Term: 14 Years

[21] Appl. No.: 965,286

[22] Filed: Dec. 1, 1978

[30] Foreign Application Priority Data

Jun. 16, 1978 [JP] Japan 53-24756

[51] Int. Cl. D21-01

[52] U.S. Cl. D21/127; D21/126; D21/59; D18/14

[58] Field of Search D21/127, 126, 113, 59; 46/16; D18/14, 13

[56]

References Cited

U.S. PATENT DOCUMENTS

D. 167,386	8/1952	Berman	D21/59
D. 202,390	9/1965	Arndt	D18/14
D. 227,167	6/1973	Maul	D18/14

Primary Examiner—Donald B. Moyer
Attorney, Agent, or Firm—Morton Amster

[57]

CLAIM

The ornamental design for a duplicator, as shown and described.

DESCRIPTION

FIG. 1 is a front elevational view of a duplicator showing my new design;
 FIG. 2 is a back elevational view;
 FIG. 3 is a top plan view;
 FIG. 4 is a bottom plan view;
 FIG. 5 is a left side elevational view, the right side being a mirror image thereof;
 FIG. 6 is a cross sectional view, along a line 6—6 in FIG. 3; and
 FIG. 7 is a cross sectional view, along a line 7—7 in FIG. 3, thereof.

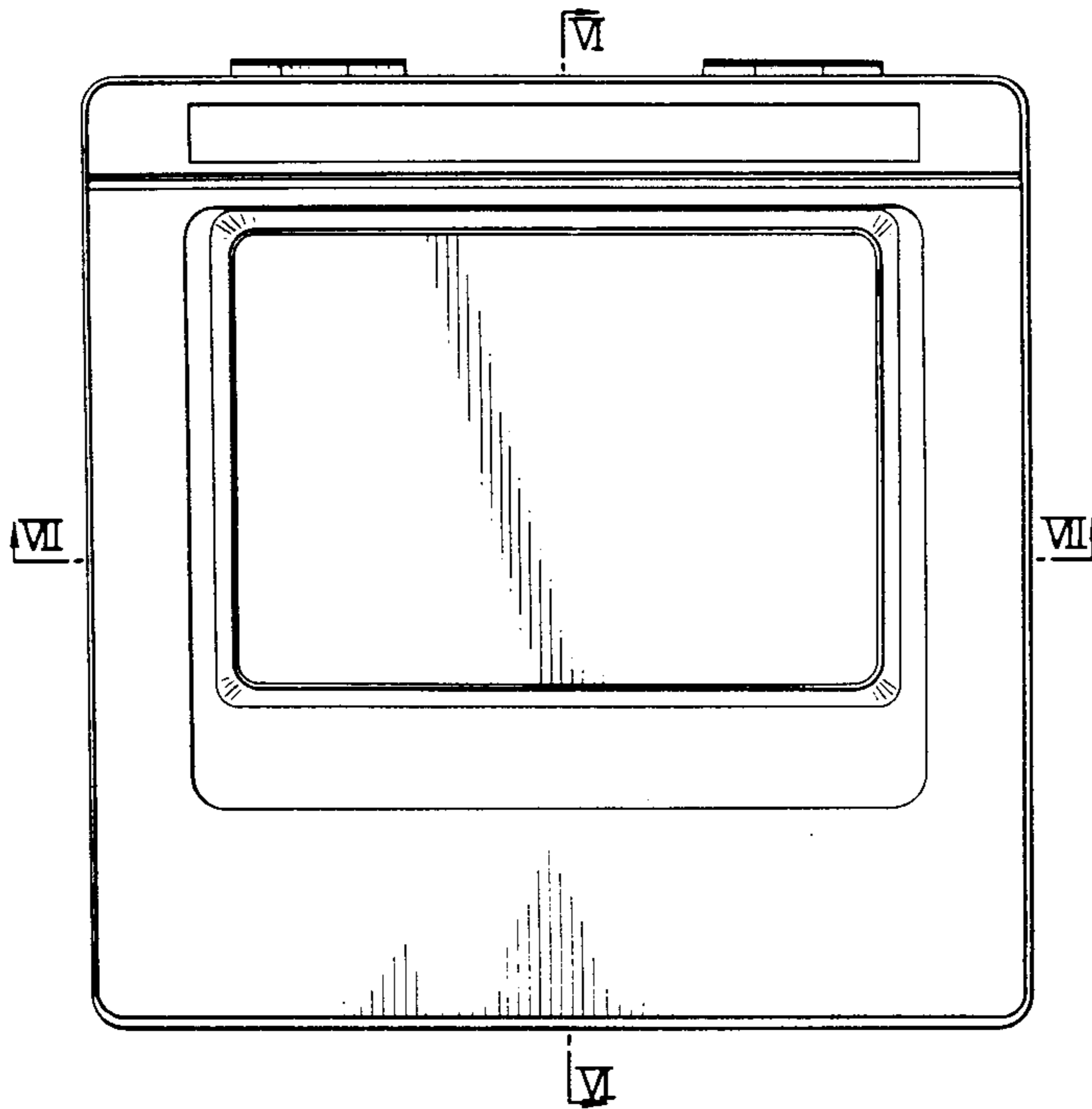


FIG. 1

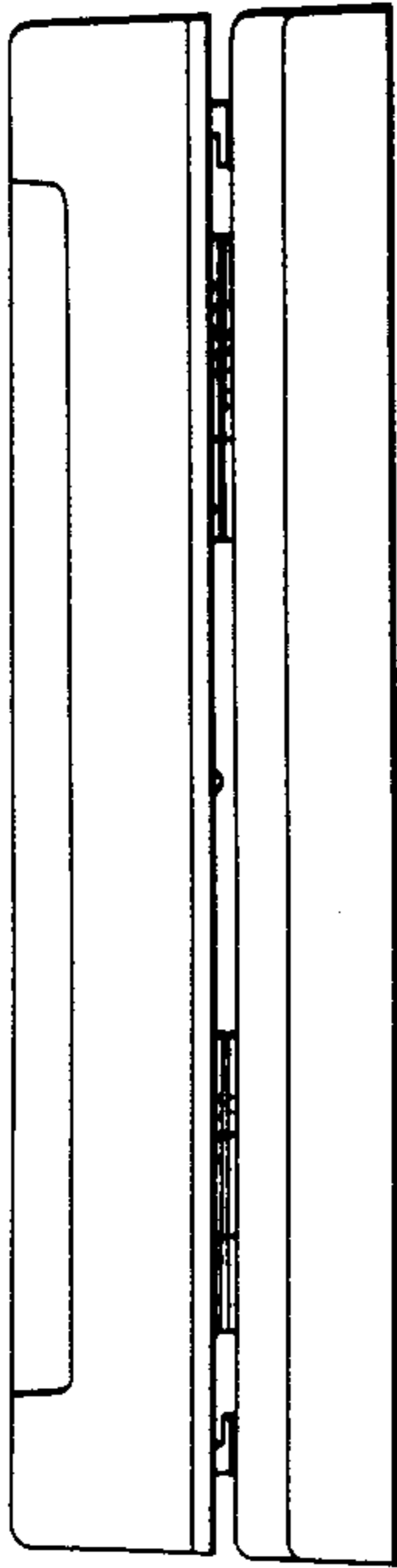


FIG. 2

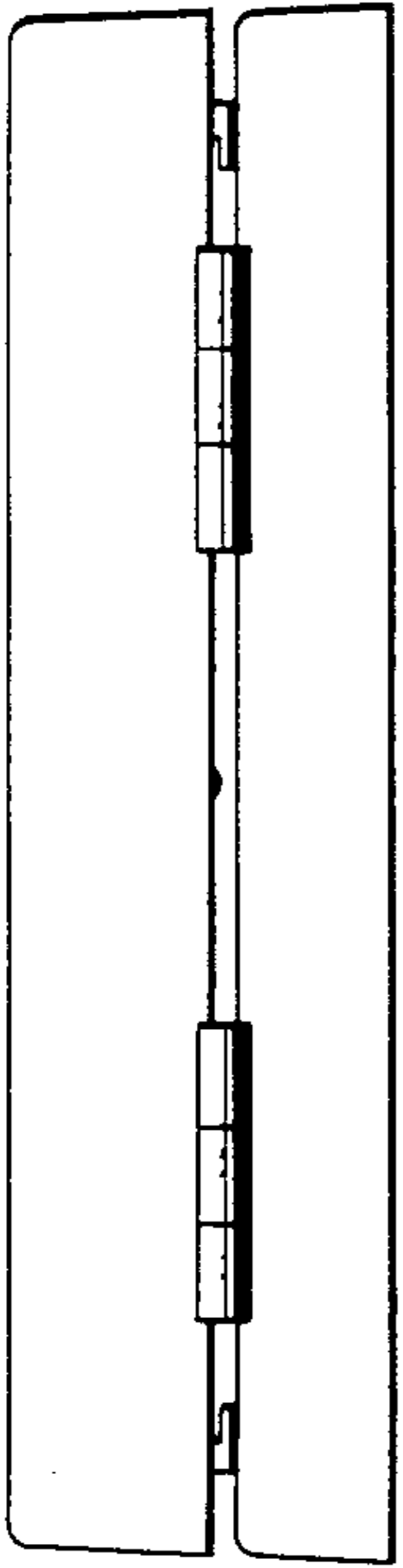


FIG. 3

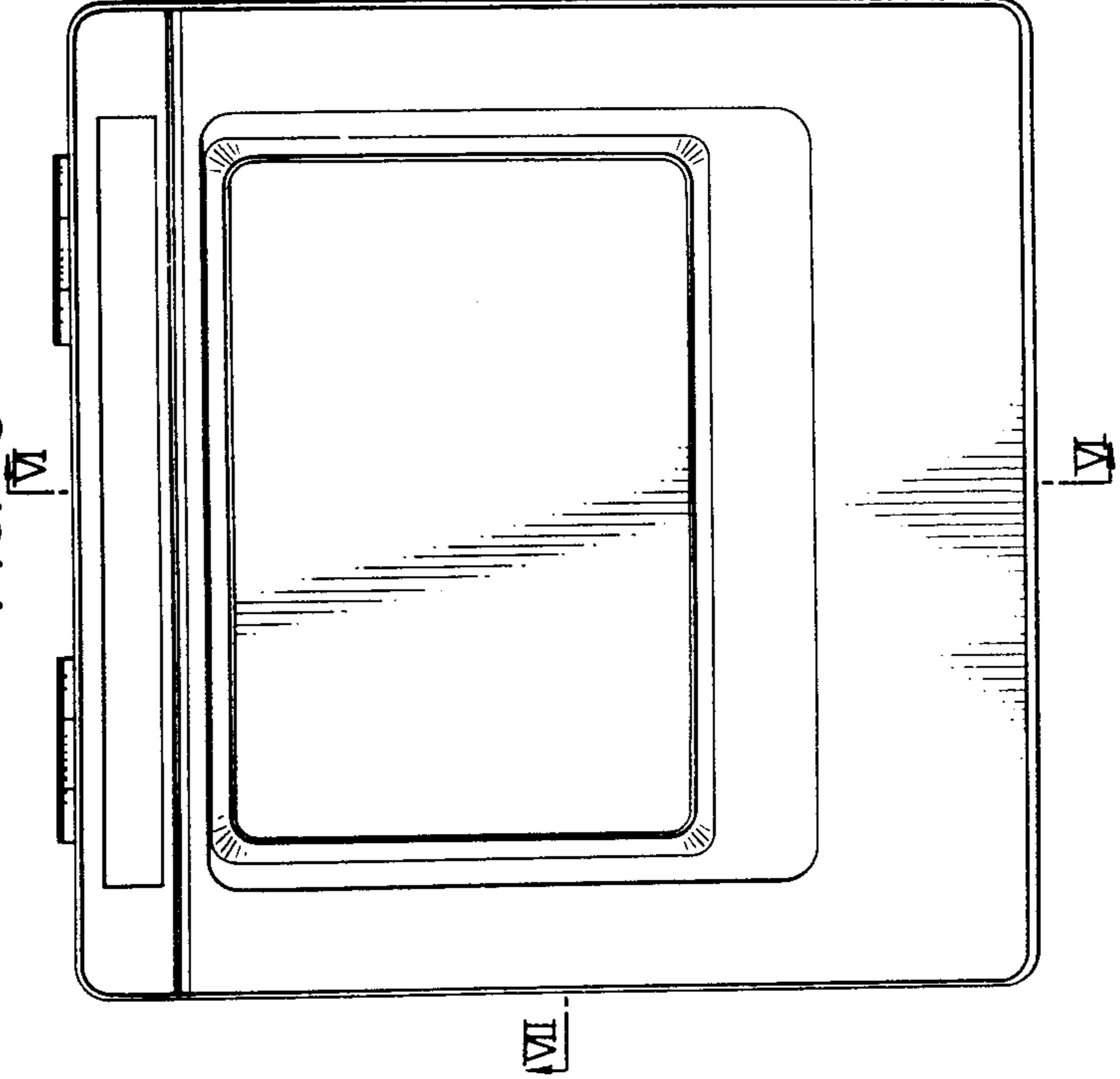


FIG. 4

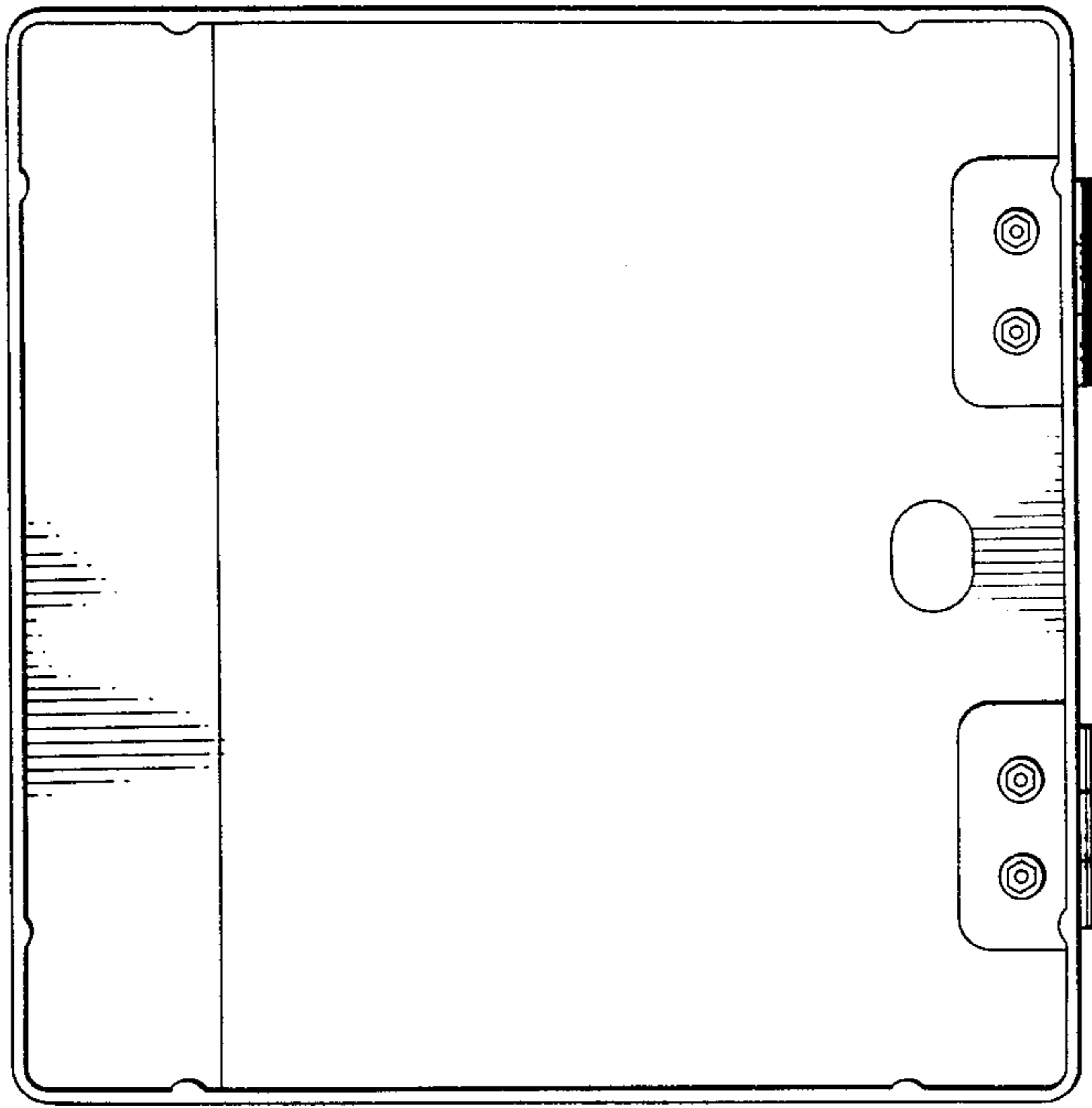


FIG. 5

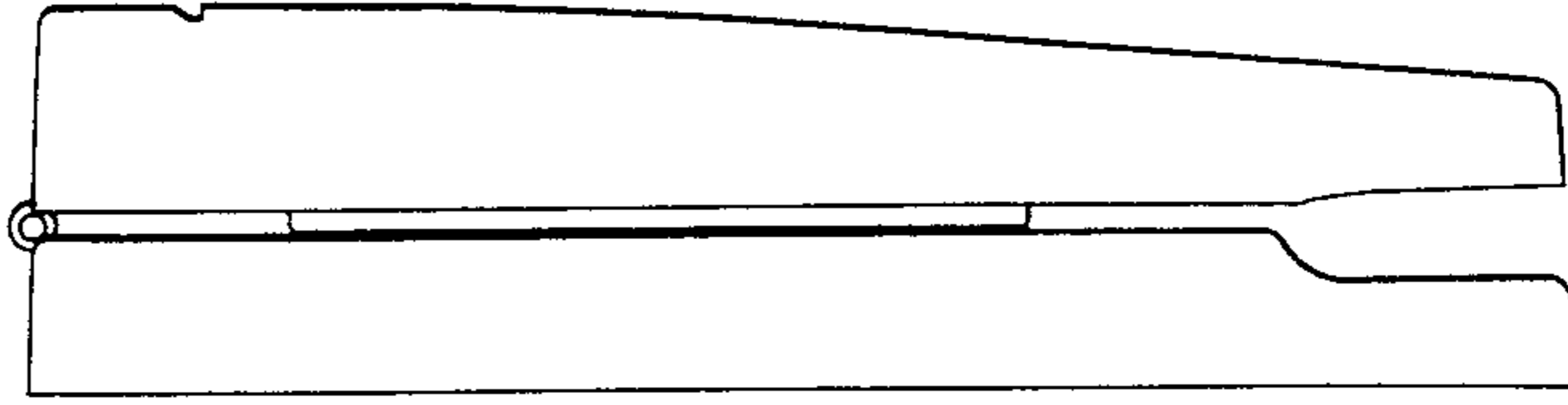


FIG. 6

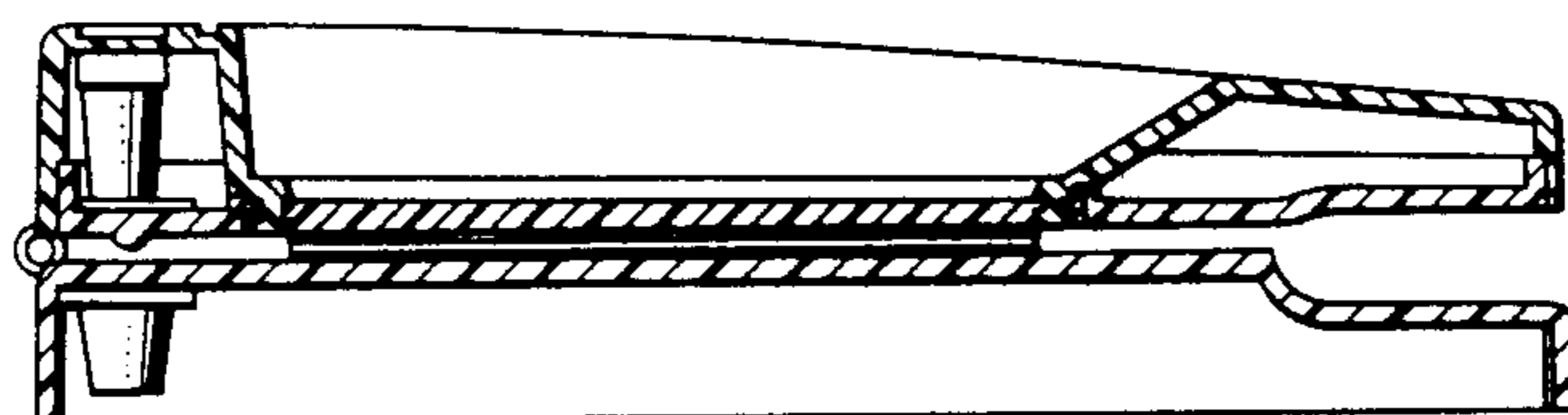


FIG. 7

