

[54] LIFT TRUCK

[75] Inventor: Bernard E. Erlacher, Washington, Ill.

[73] Assignee: Caterpillar Tractor Co., Peoria, Ill.

[**] Term: 14 Years

[21] Appl. No.: 45,572

[22] Filed: Jun. 4, 1979

Related U.S. Application Data

[63] Continuation of Ser. No. 823,364, Aug. 10, 1977, abandoned.

[51] Int. Cl. D12-05

[52] U.S. Cl. D12/57

[58] Field of Search D12/57; 187/9 R, 9 E

[56] References Cited

PUBLICATIONS

Modern Materials Handling, 2/76, P105, Lift truck, center of page.

Primary Examiner—James M. Gandy
Attorney, Agent, or Firm—Frank L. Hart

[57] CLAIM

The ornamental design for a lift truck, substantially as shown and described.

DESCRIPTION

FIG. 1 is a right side elevational view of a lift truck embodying my new design;
FIG. 2 is a left side elevational view thereof;
FIG. 3 is a front elevational view thereof;
FIG. 4 is a back elevational view thereof;
FIG. 5 is a top plan view thereof;
FIG. 6 is a bottom plan view thereof; and
FIG. 7 is a perspective view thereof.

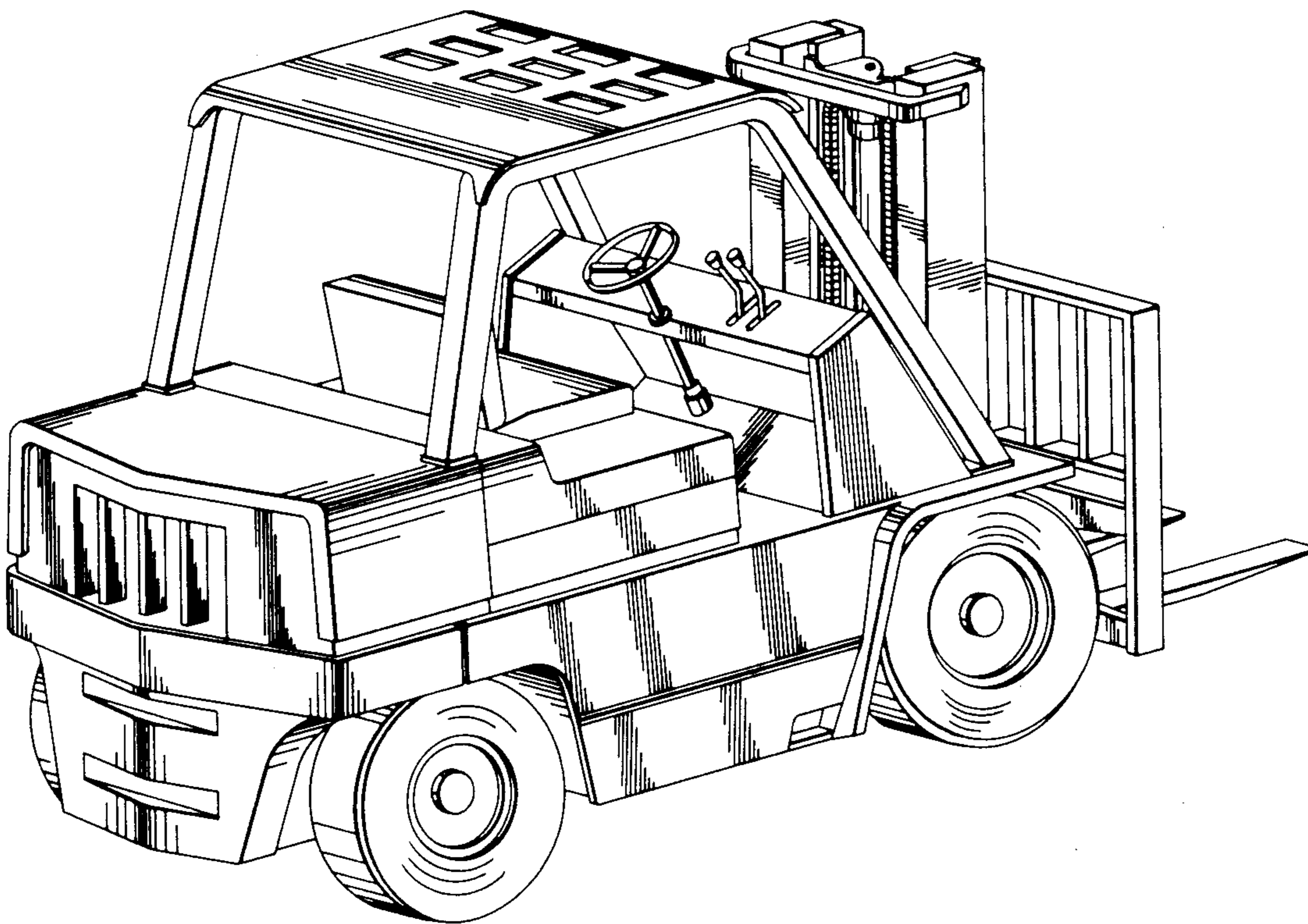


FIG. 1.

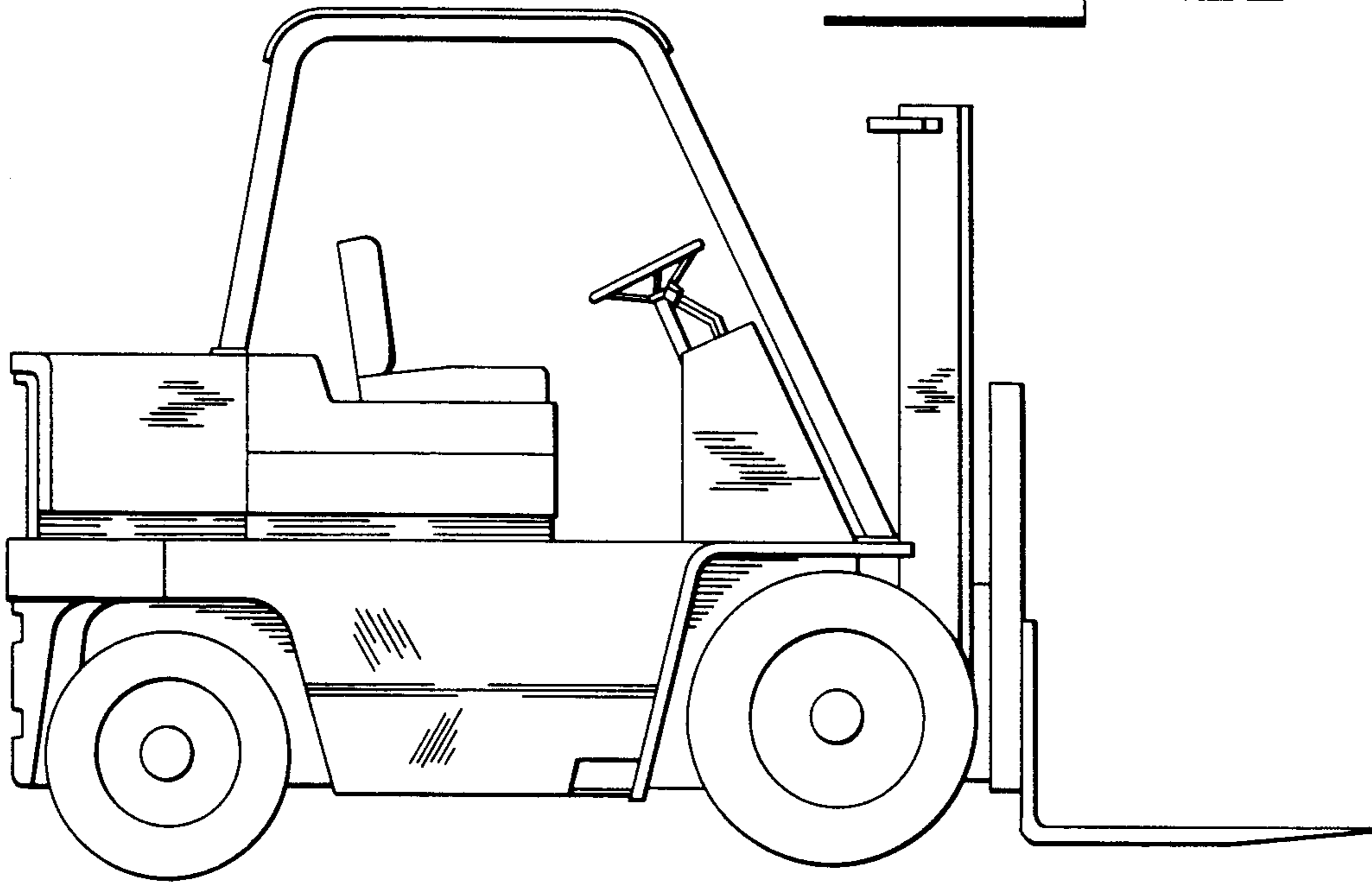


FIG. 2.

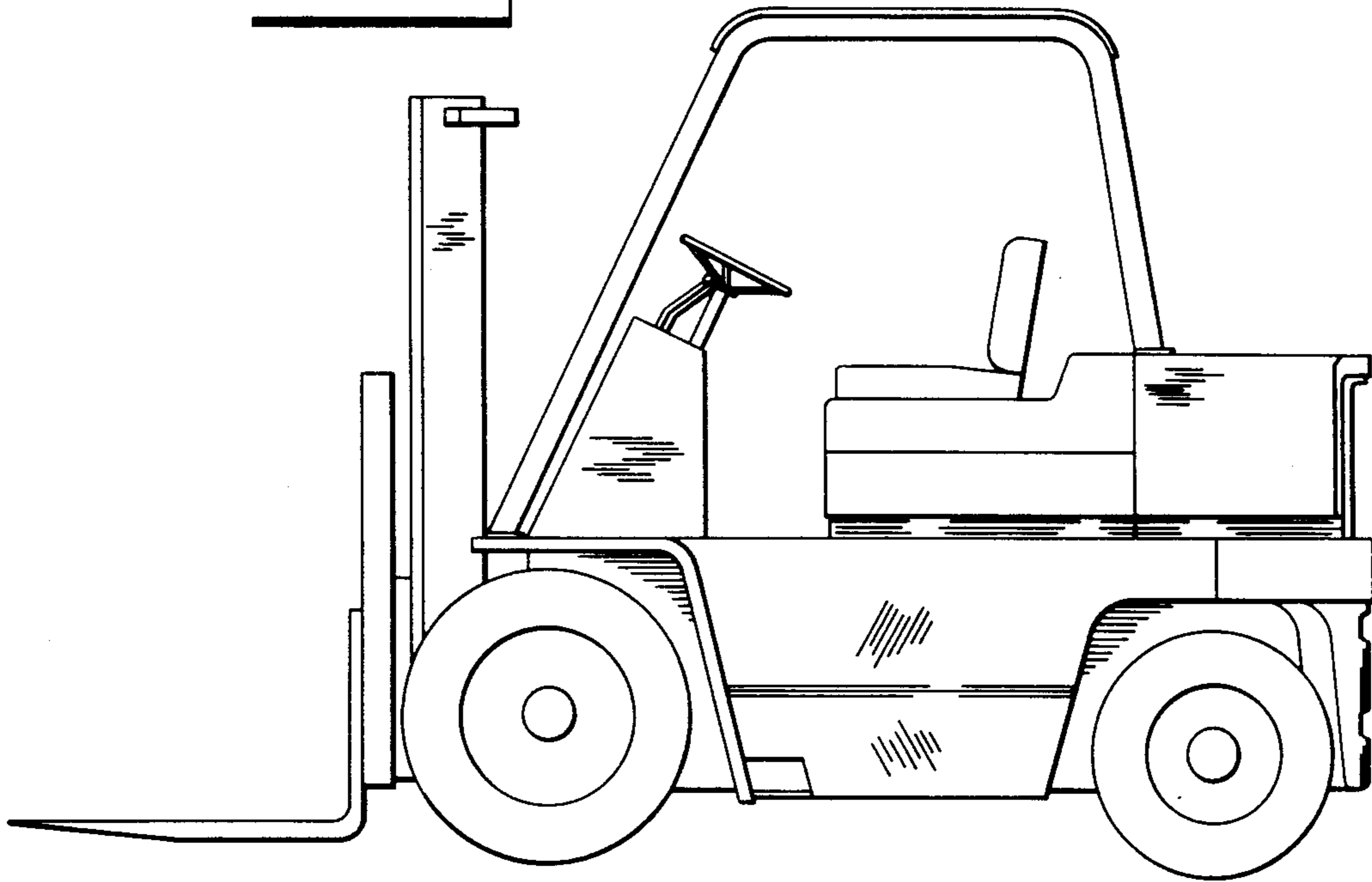


FIG. 3.

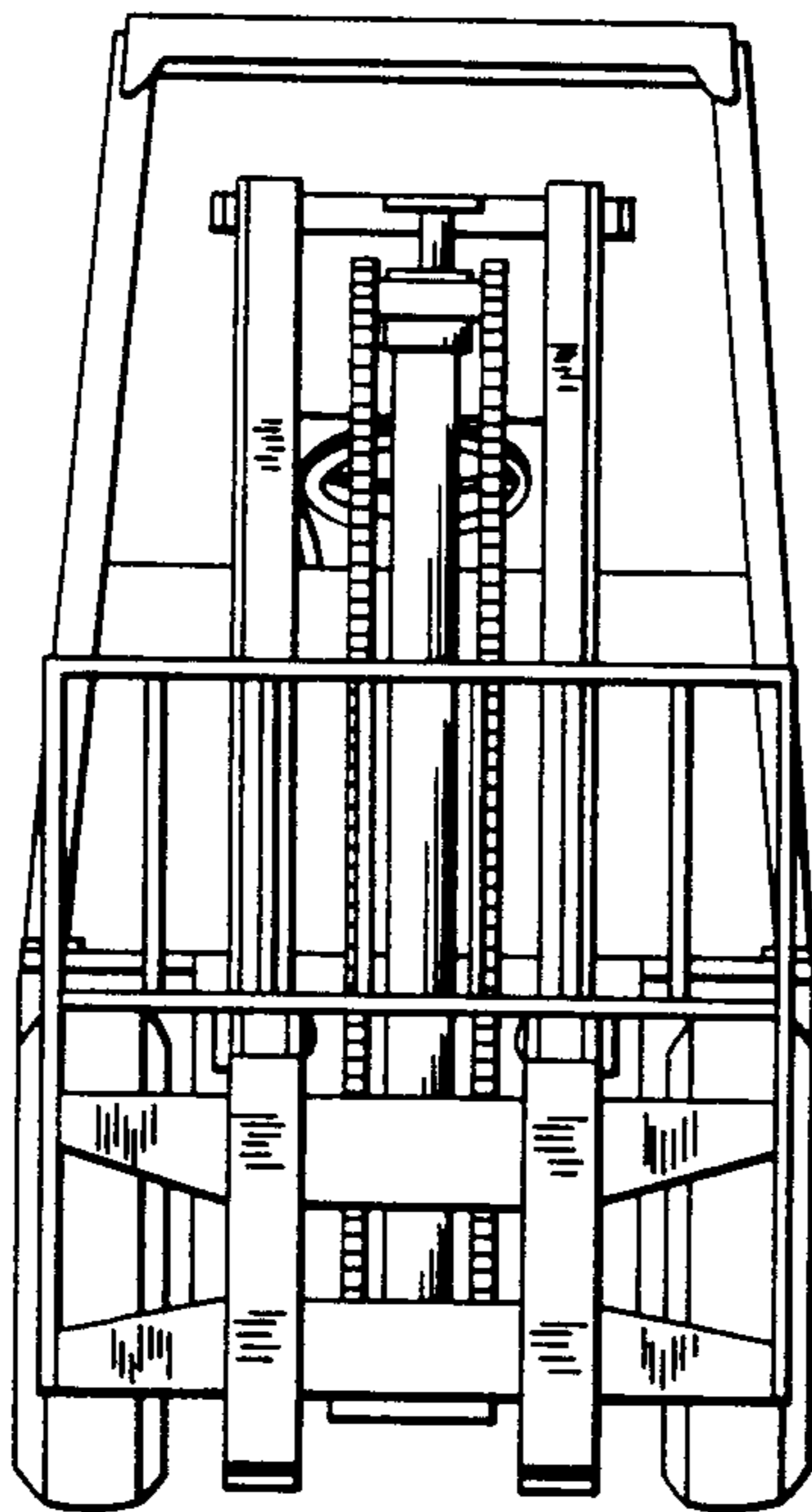


FIG. 4.

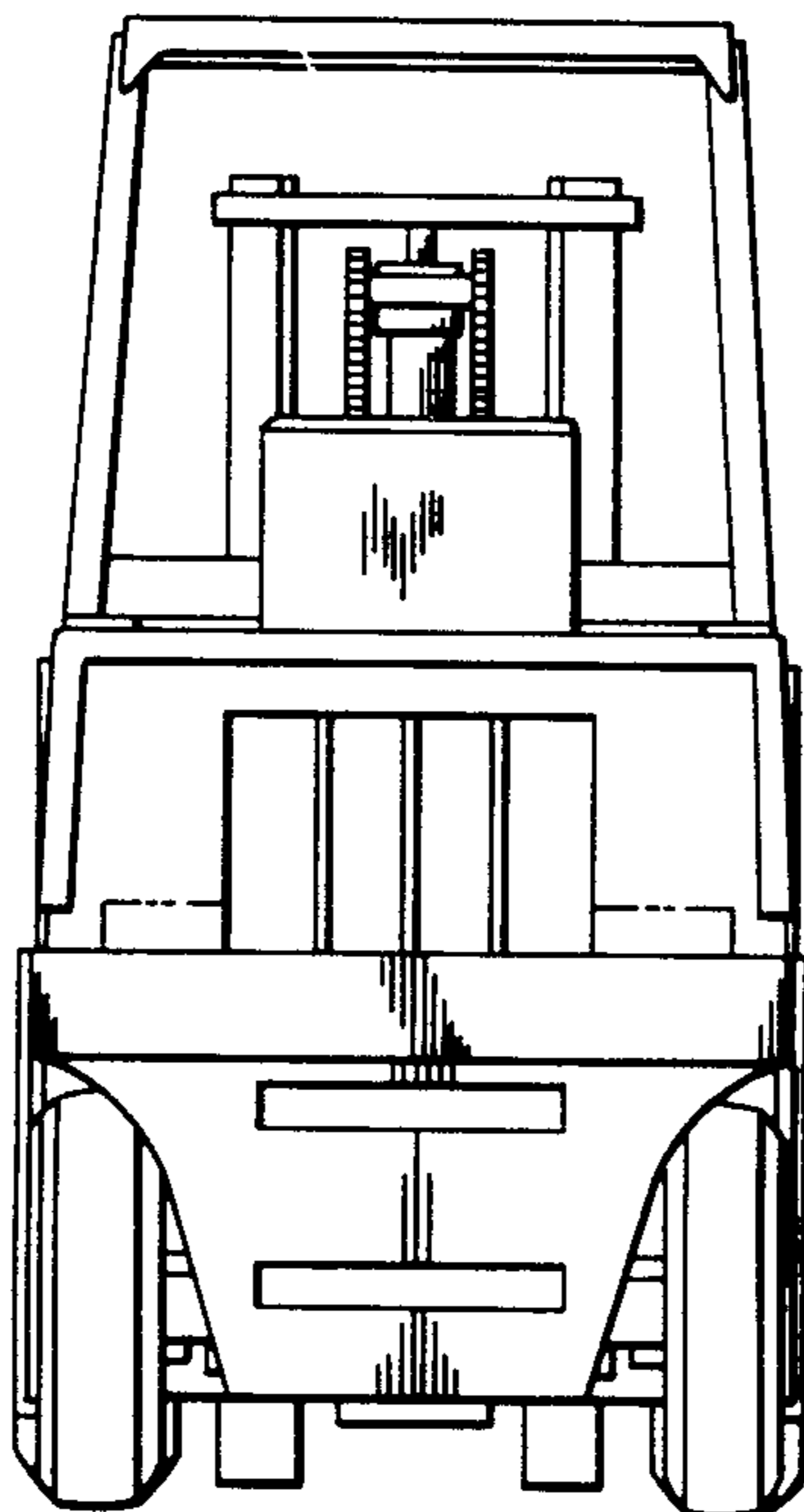


FIG. 5

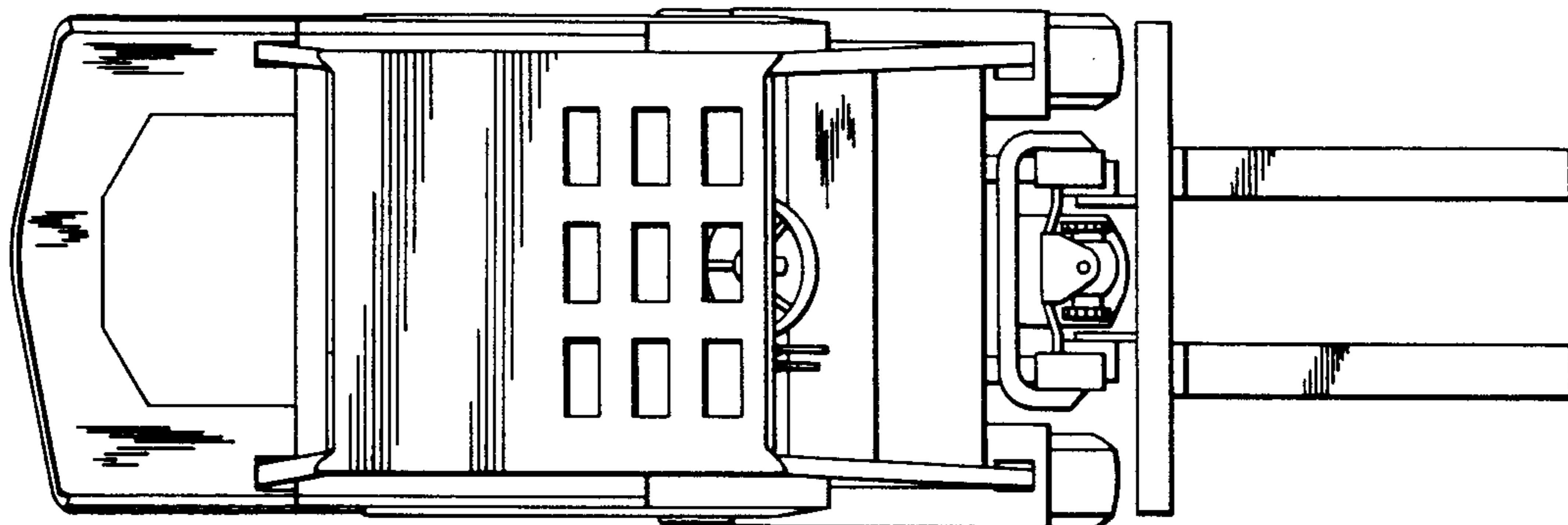
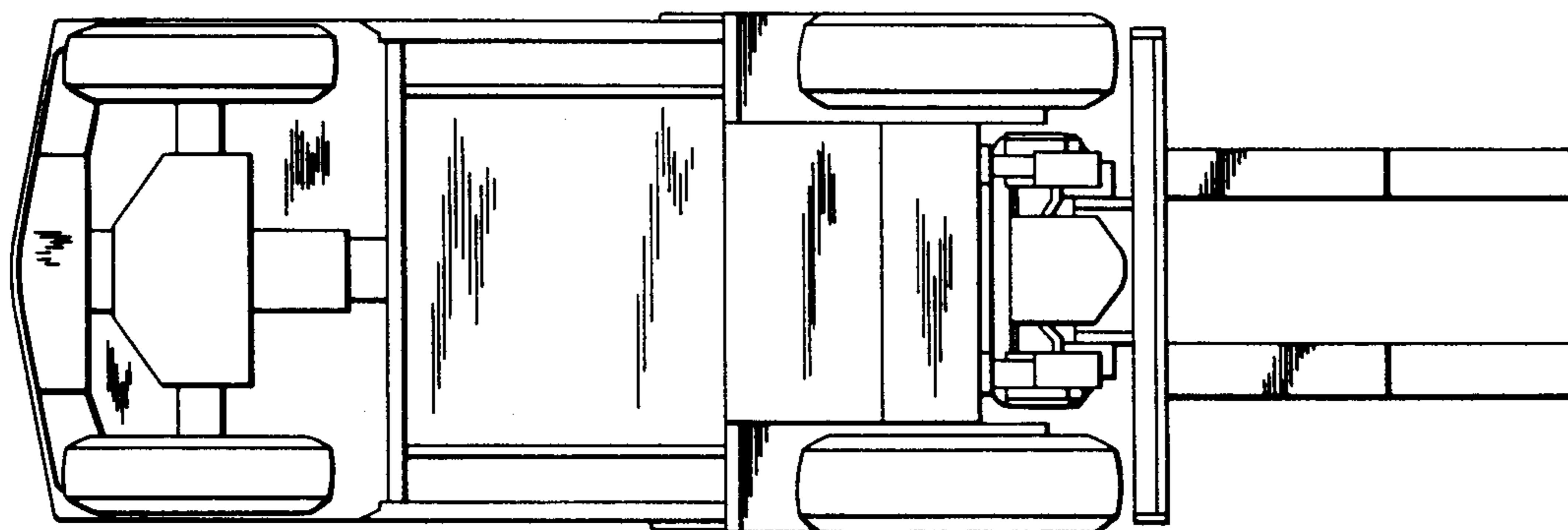


FIG. 6



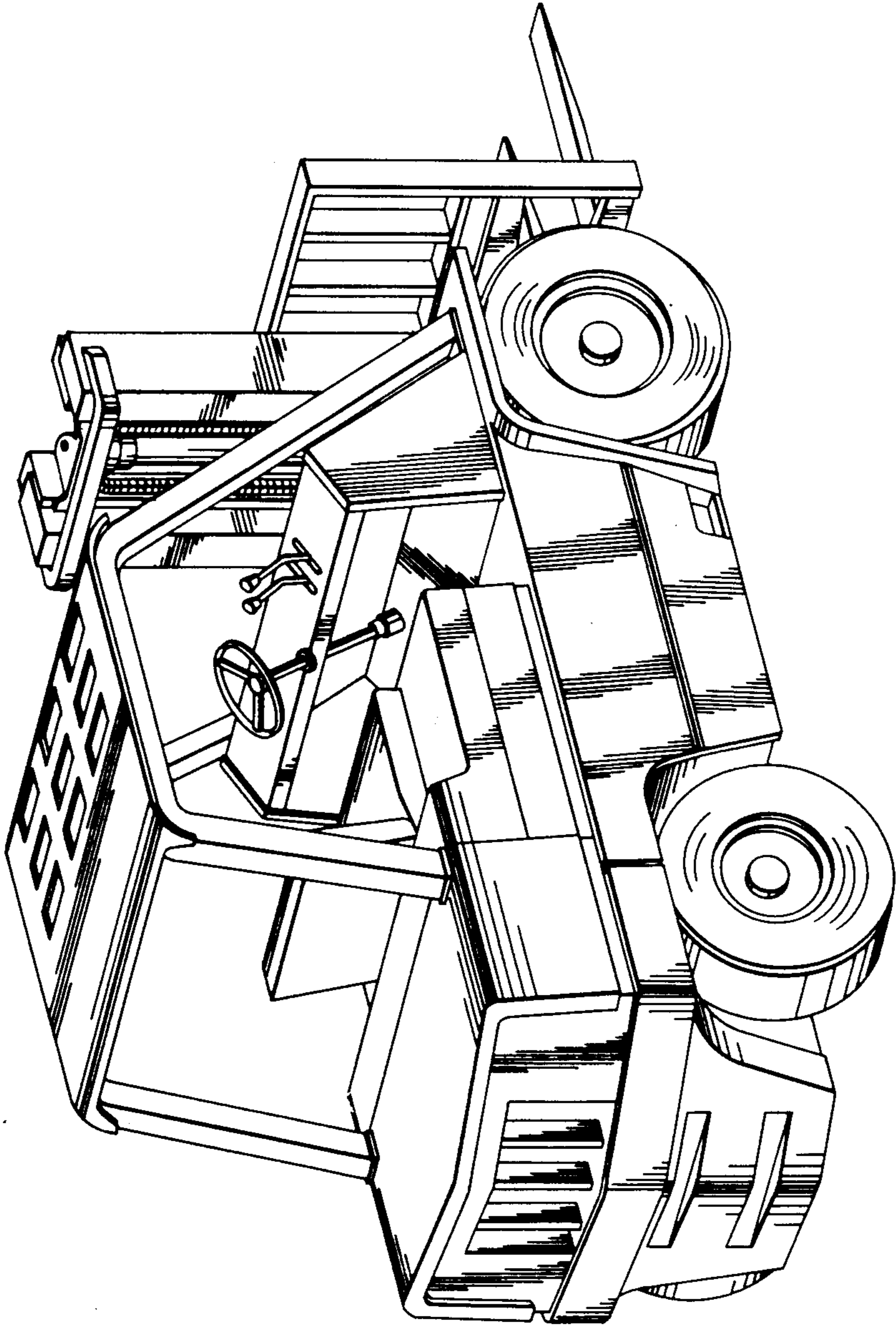


FIG. 7