

[54] COMBINED WINCH MOUNT AND FRONT END GUARD

[75] Inventor: Victor F. Hickey, Ventura, Calif.

[73] Assignee: W. R. Grace & Co.

[\*\*] Term: 14 Years

[21] Appl. No.: 943,409

[22] Filed: Sep. 18, 1978

[51] Int. Cl. .... D12-05; D12-16

[52] U.S. Cl. .... D12/60; D12/171

[58] Field of Search ..... D12/60, 167, 171, 54; 293/142, 114, 117, DIG. 1; 242/86.5 R; 254/166

[56] References Cited

U.S. PATENT DOCUMENTS

D. 154,744	8/1949	Browneye et al. ....	D12/171
3,929,555	12/1975	Sanders .....	254/166
4,149,733	4/1979	Grooss .....	293/117

Primary Examiner—James M. Gandy  
Attorney, Agent, or Firm—William Kovensky

[57] CLAIM

The ornamental design for a combined winch mount and front end guard, as shown and described.

DESCRIPTION

FIG. 1 is a rear perspective view of a combined winch mount and front end guard showing my new design; FIG. 2 is a front elevational view thereof; FIG. 3 is a top plan view thereof; FIG. 4 is a side elevational view thereof looking from the left side of FIG. 3; and FIGS. 5 and 6 are cross sectional views thereof taken along lines 5-5 and 6-6 of FIG. 1.

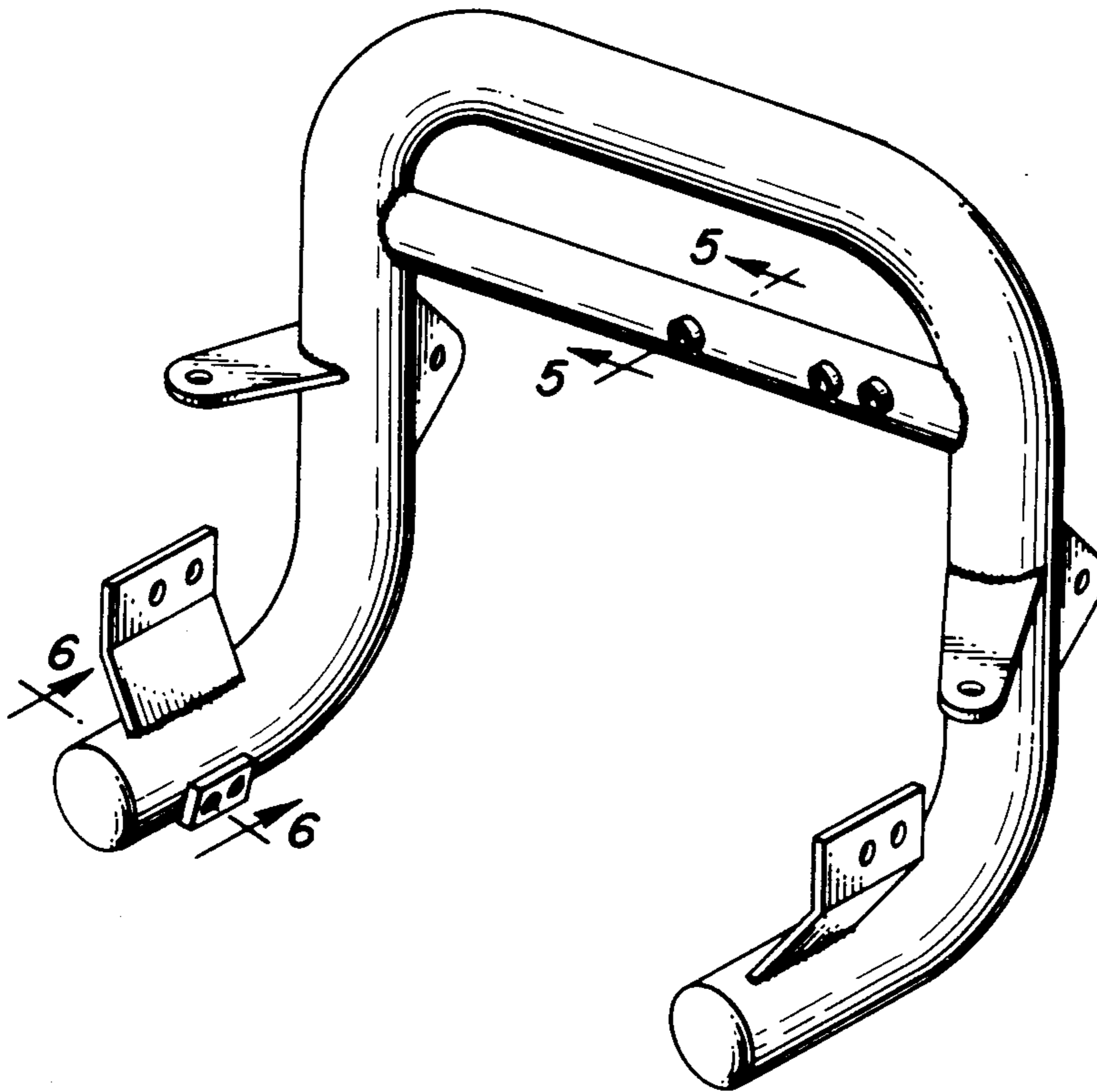


FIG. 1.

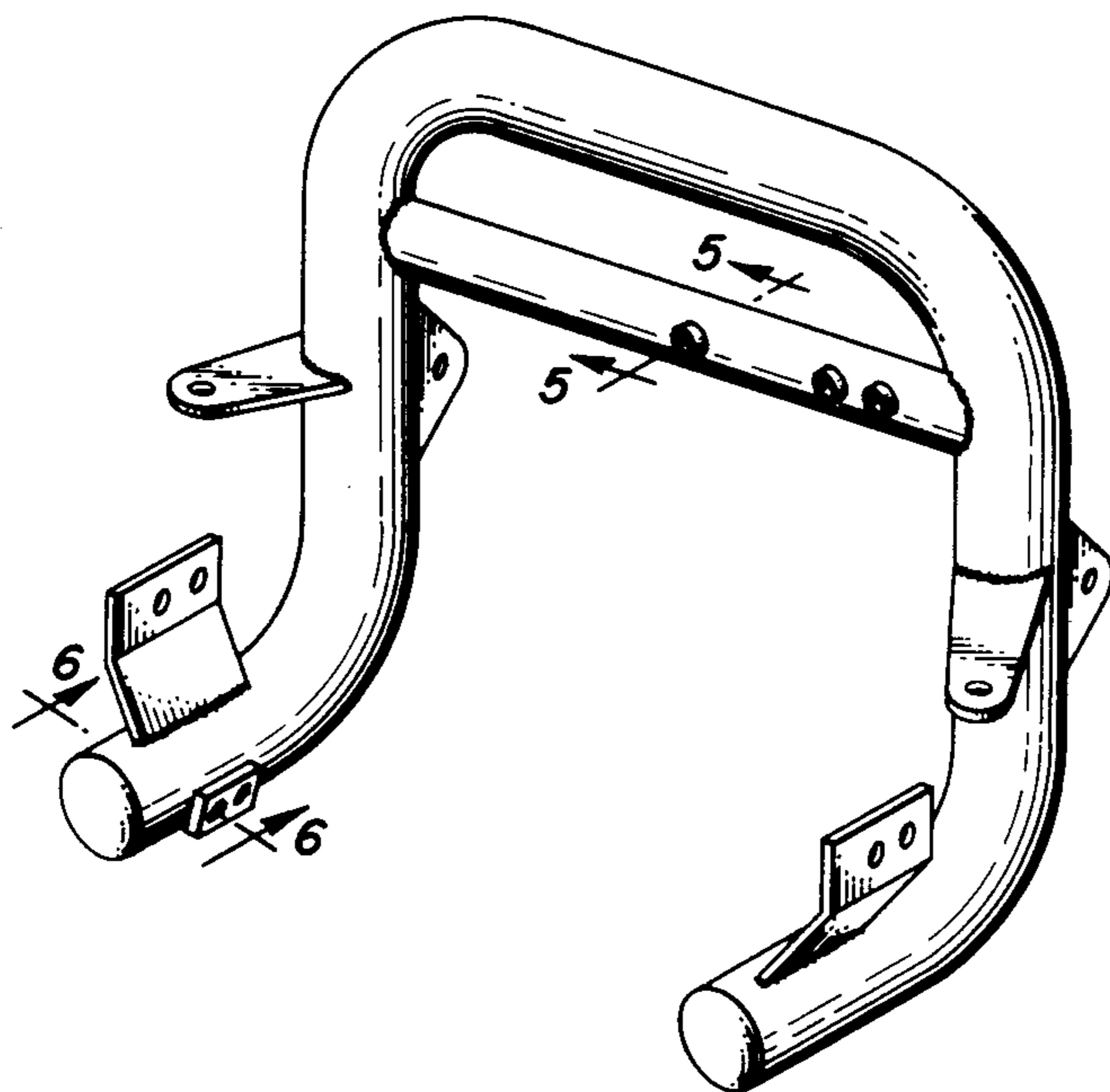


FIG. 2.

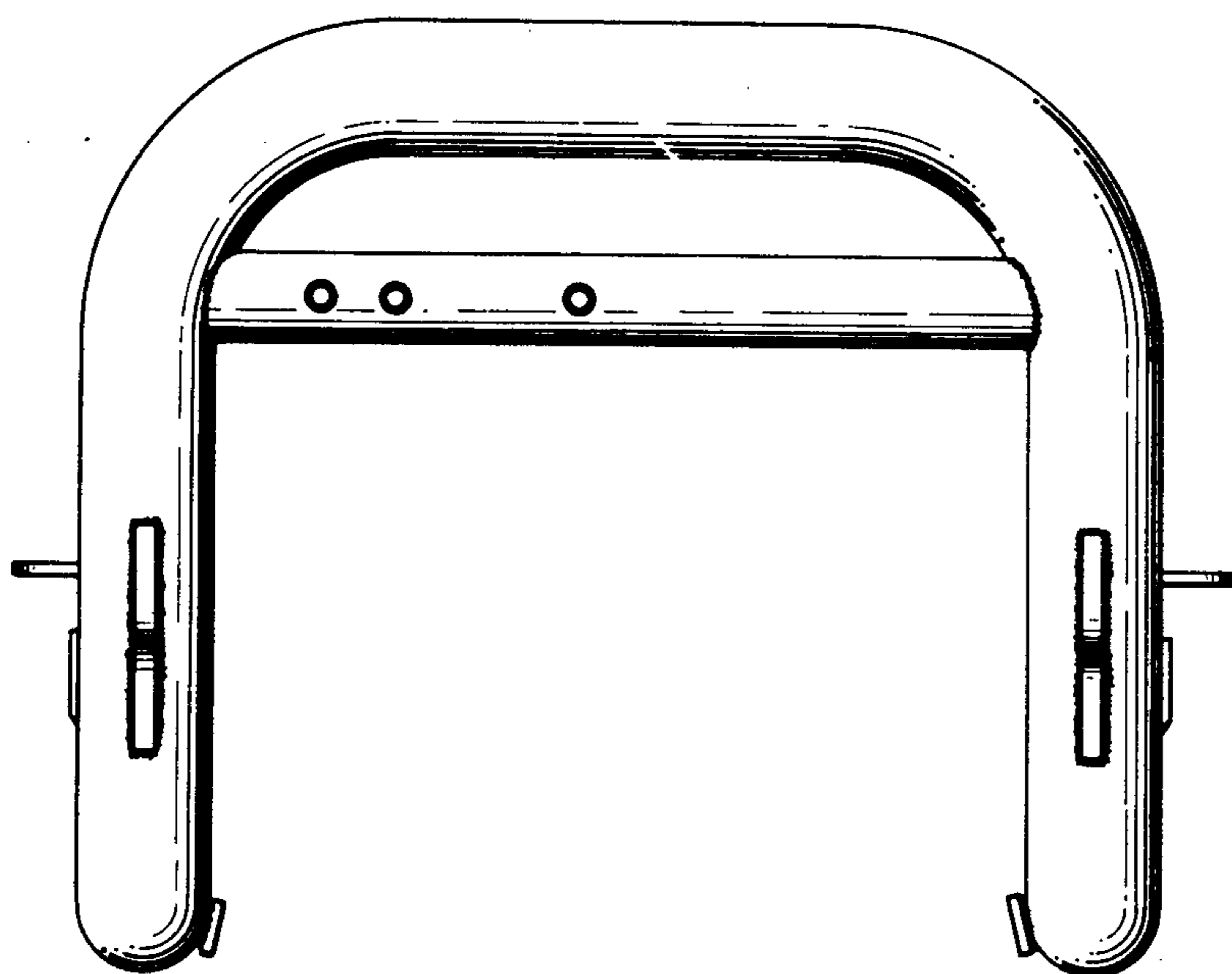


FIG. 3.

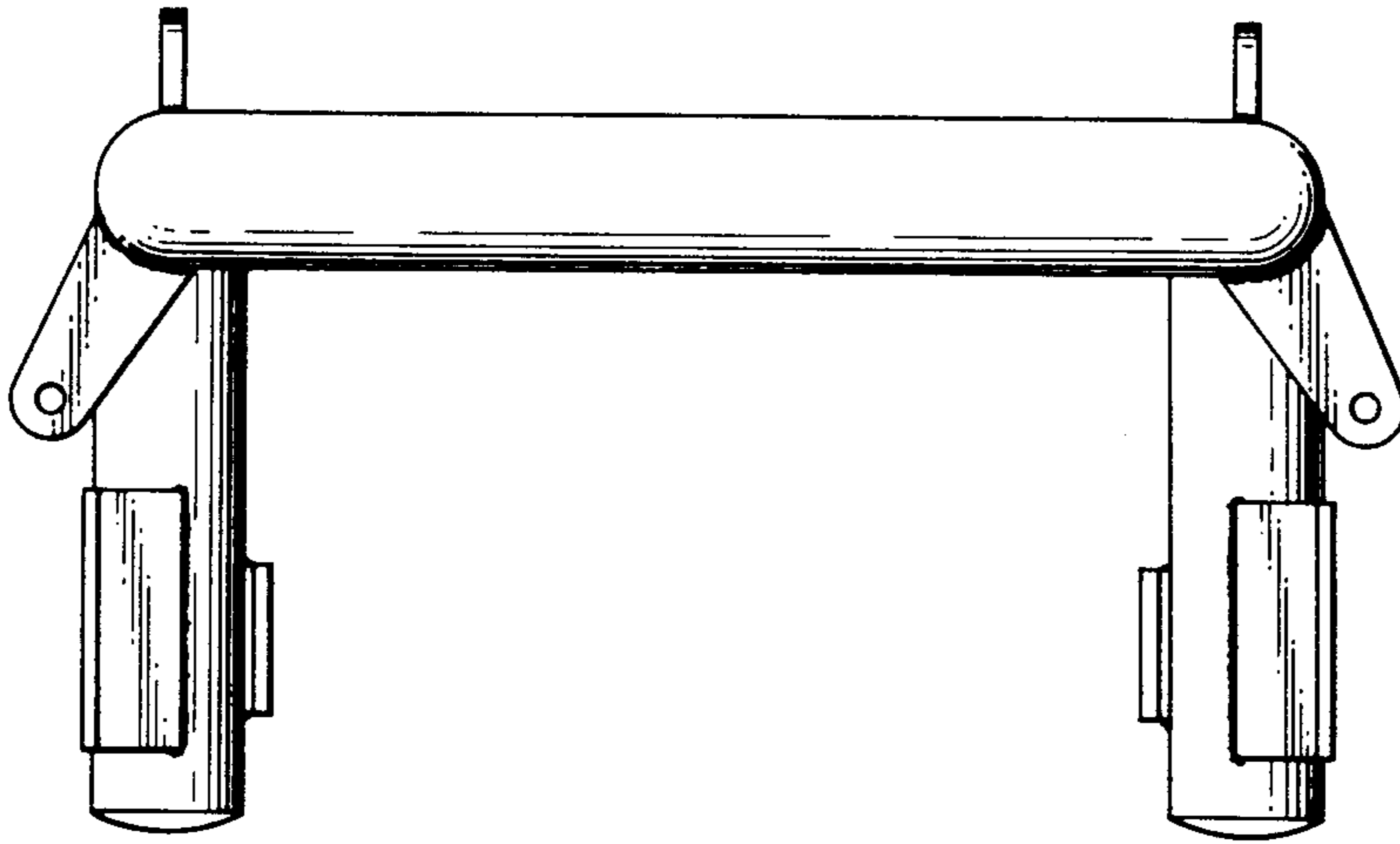


FIG. 4.

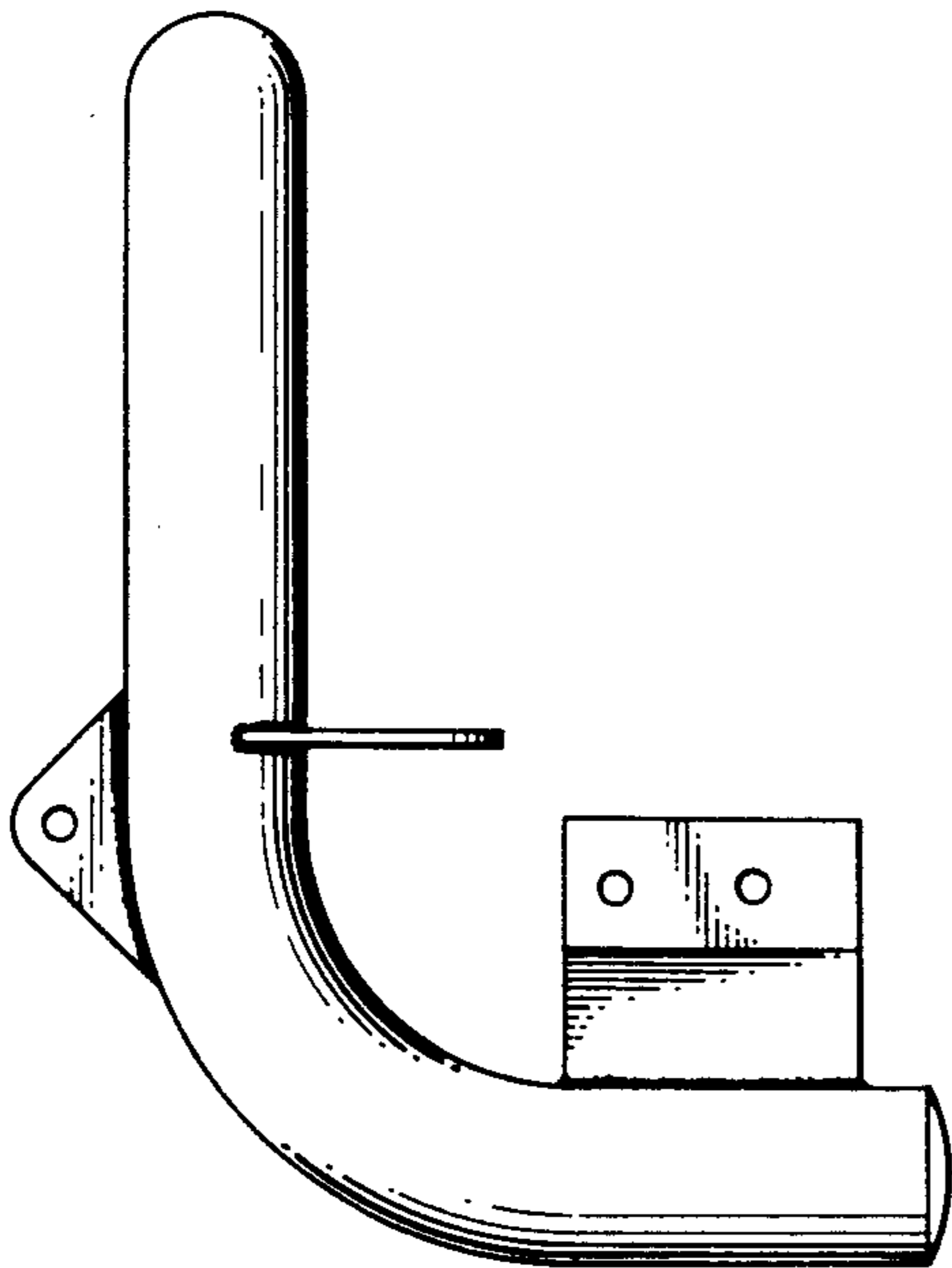


FIG. 5.

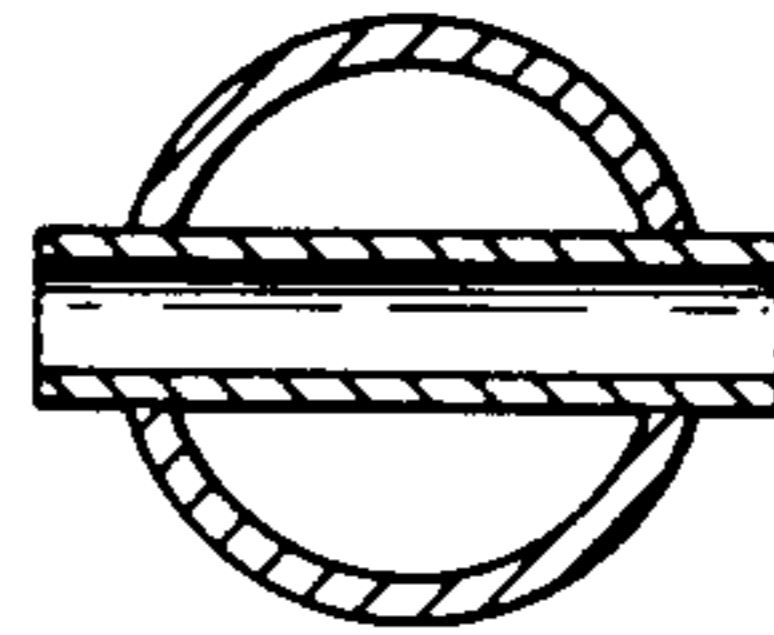


FIG. 6.

