

[54] **ELECTRONIC THERMOMETER**

[75] **Inventor:** Joseph J. Manno, La Jolla, Calif.  
[73] **Assignee:** IVAC Corporation, San Diego, Calif.  
[\*\*] **Term:** 14 Years  
[21] **Appl. No.:** 23,333  
[22] **Filed:** Mar. 23, 1979

[51] **Int. Cl.** ..... D10-04  
[52] **U.S. Cl.** ..... D10/57  
[58] **Field of Search** ..... D10/57, 58, 60, 103,  
D10/75, 78; 73/343 R, 362 AR, 362 SC

[56] **References Cited**  
**U.S. PATENT DOCUMENTS**

D. 236,814	9/1975	Sato .....	D10/57
D. 251,367	3/1979	Tucker .....	D10/78
D. 254,189	2/1980	Prosby .....	D10/57
3,139,753	7/1964	Brudner .....	73/362 AR

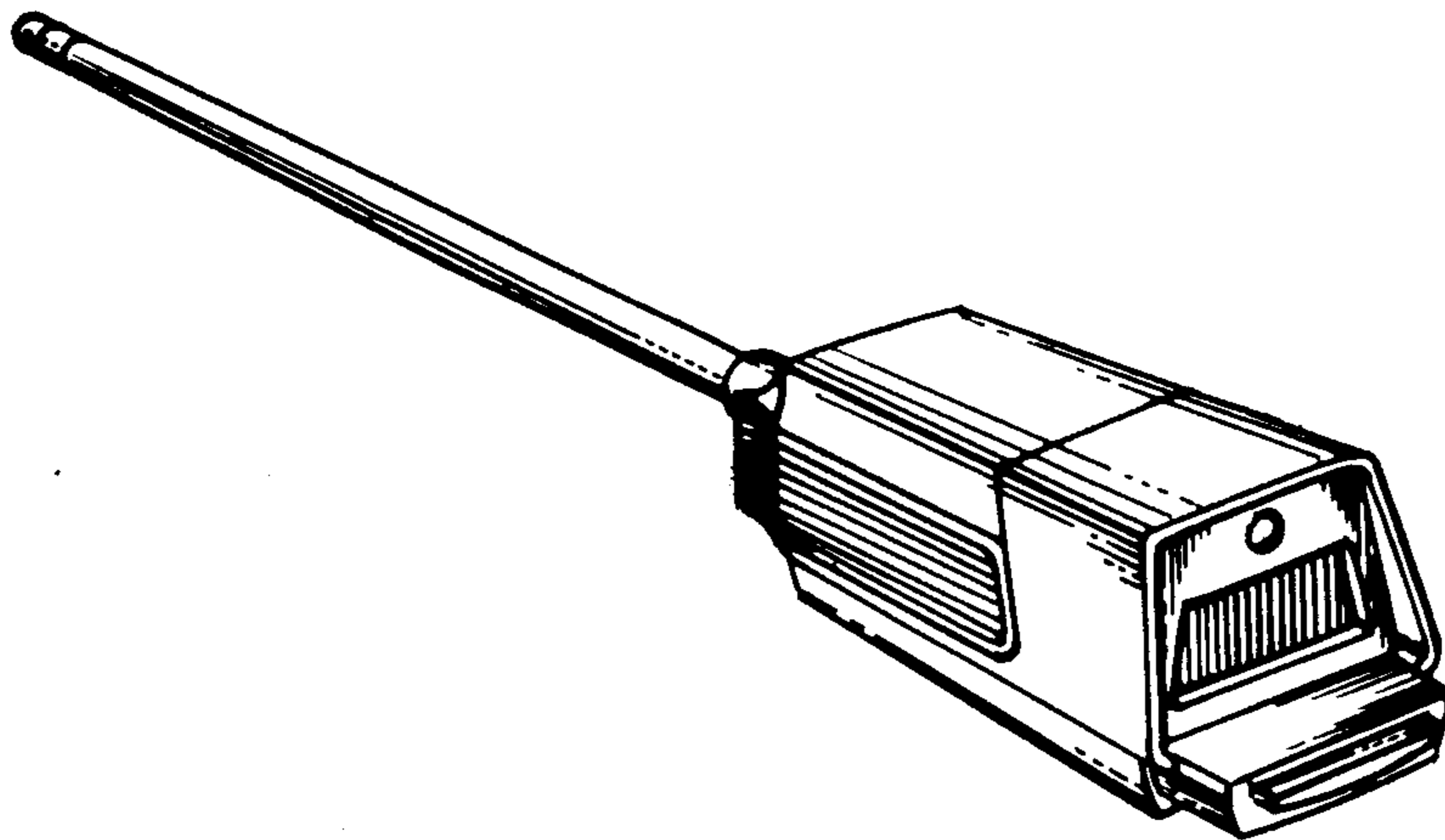
*Primary Examiner*—Nelson C. Holtje  
*Attorney, Agent, or Firm*—William G. Anderson

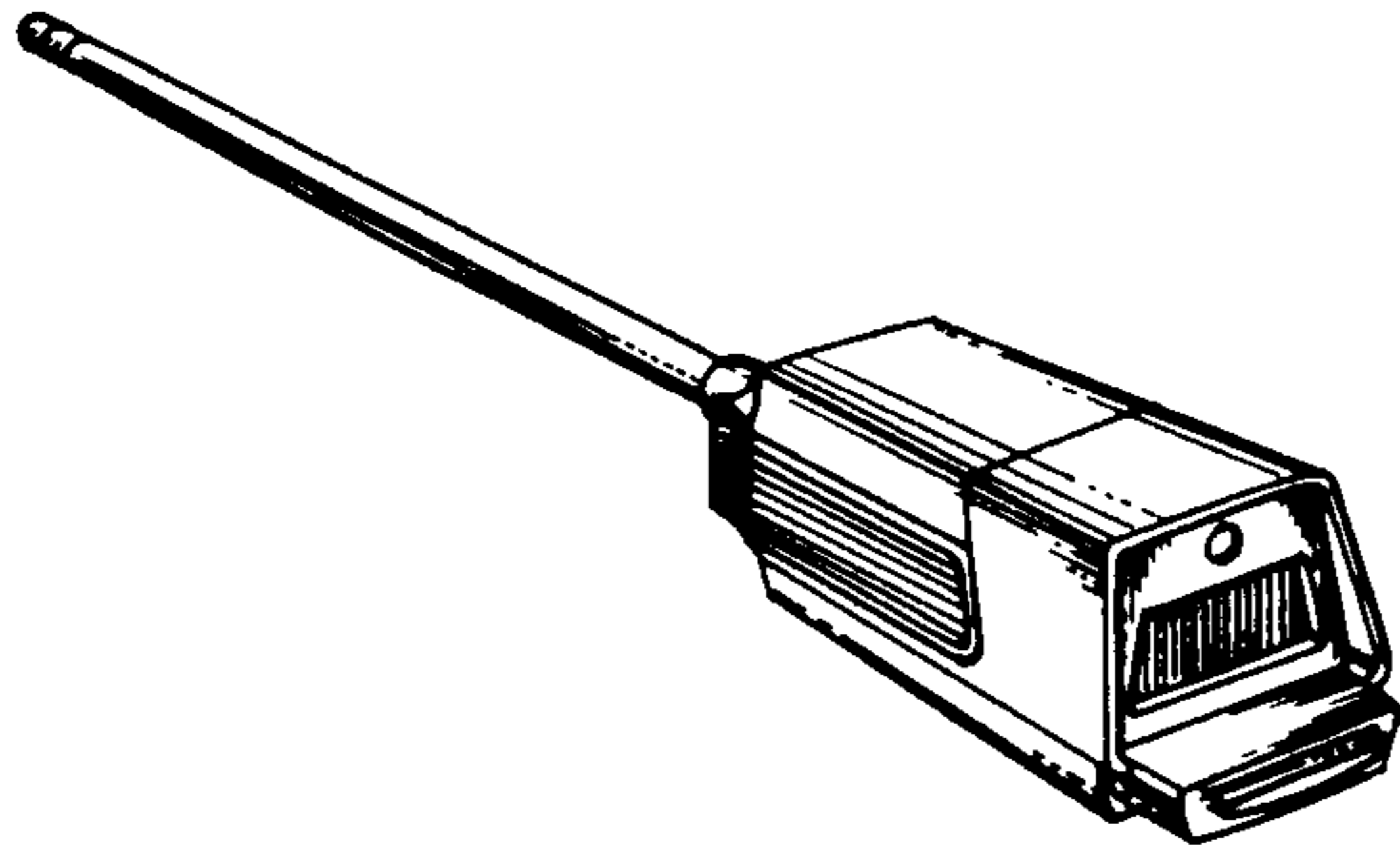
[57] **CLAIM**

The ornamental design for an electronic thermometer, as shown.

**DESCRIPTION**

FIG. 1 is a front perspective view of an electronic thermometer showing my new design;  
FIG. 2 is a right side elevational view thereof;  
FIG. 3 is a bottom plan view thereof; and  
FIG. 4 is a rear elevational view thereof.



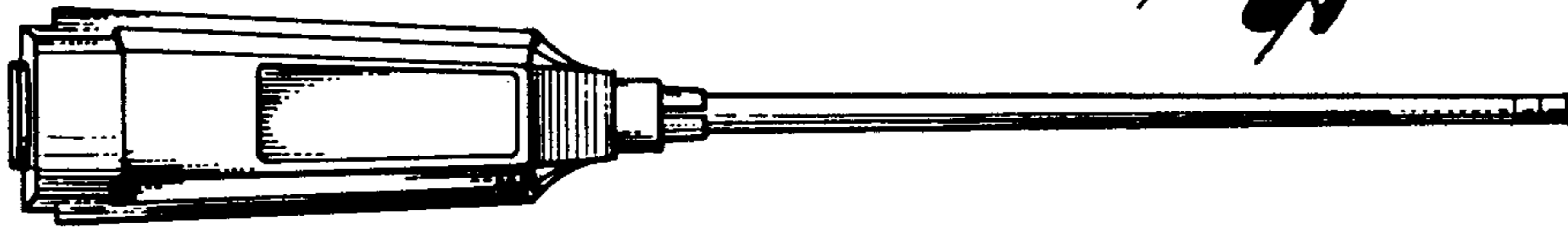


*Fig. 1*

*Fig. 2*



*Fig. 3*



*Fig. 4*