

[54] BEVERAGE BOTTLE OR THE LIKE  
 [75] Inventors: Kenneth R. Cooke; Alvin H. Schechter, both of New York, N.Y.  
 [73] Assignee: GCC Beverages, Inc., Miami, Fla.  
 [\*\*] Term: 14 Years  
 [21] Appl. No.: 966,481  
 [22] Filed: Dec. 4, 1978  
 [51] Int. Cl. .... D9-01  
 [52] U.S. Cl. .... D9/126  
 [58] Field of Search ..... D9/101-103, D9/111, 104, 125, 126, 108; 215/1 R, 1 C

D. 250,574 12/1978 Boyle ..... D9/108

OTHER PUBLICATIONS

Owens-Illinois, 1961 Stock and Franchise Beverage catalog p. 50, item G-18207, Bottle.

Primary Examiner—Robert C. Spangler  
Attorney, Agent, or Firm—Webster B. Harpman

[57] CLAIM

The ornamental design for a beverage bottle or the like, as shown and described.

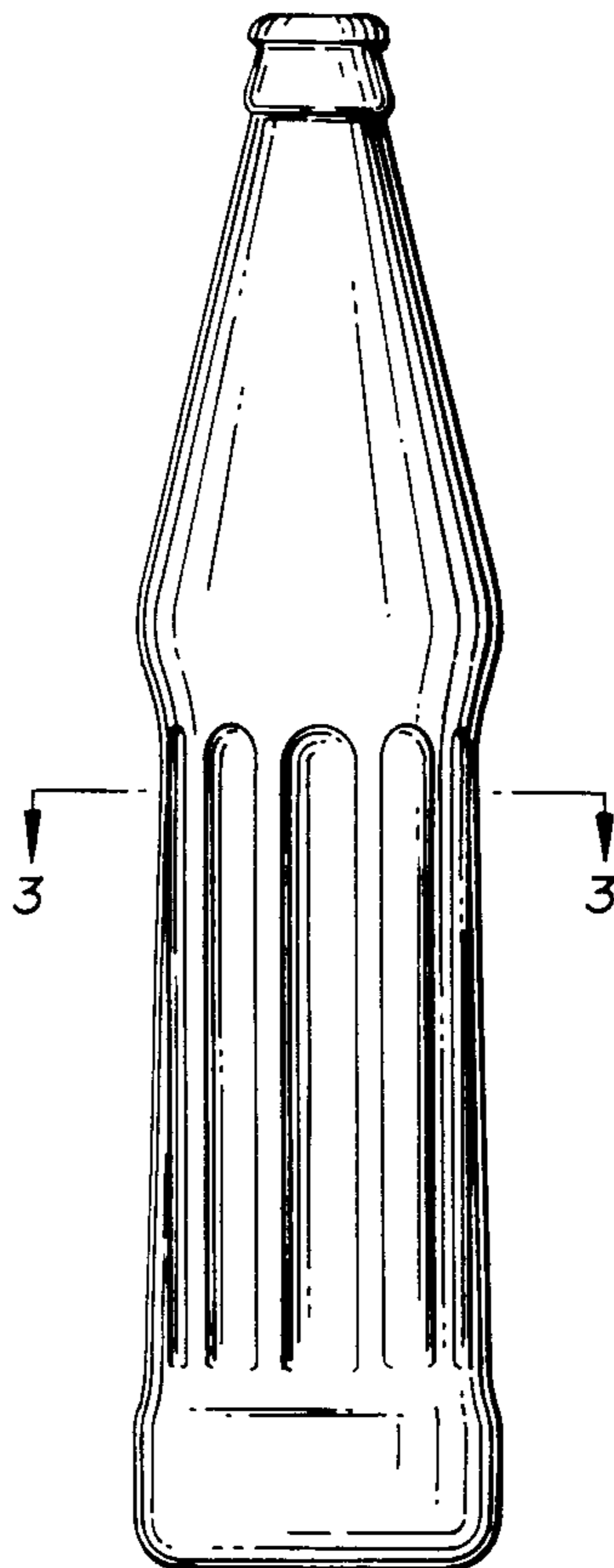
DESCRIPTION

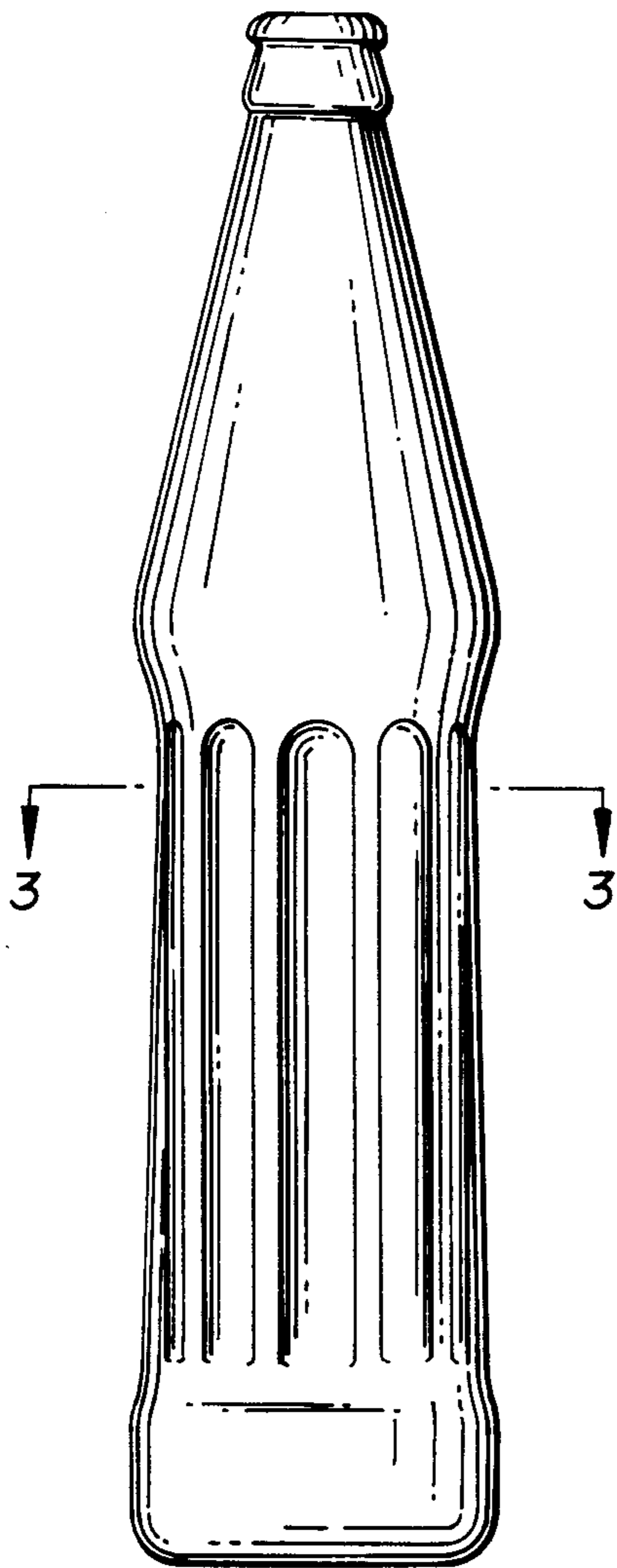
FIG. 1 is a front elevation of a beverage bottle or the like showing our new design; FIG. 2 is a side elevation; FIG. 3 is a section on line 3—3 of FIG. 1; and FIG. 4 is a top plan view thereof.

The bottom of the beverage bottle is substantially flat and unornamented.

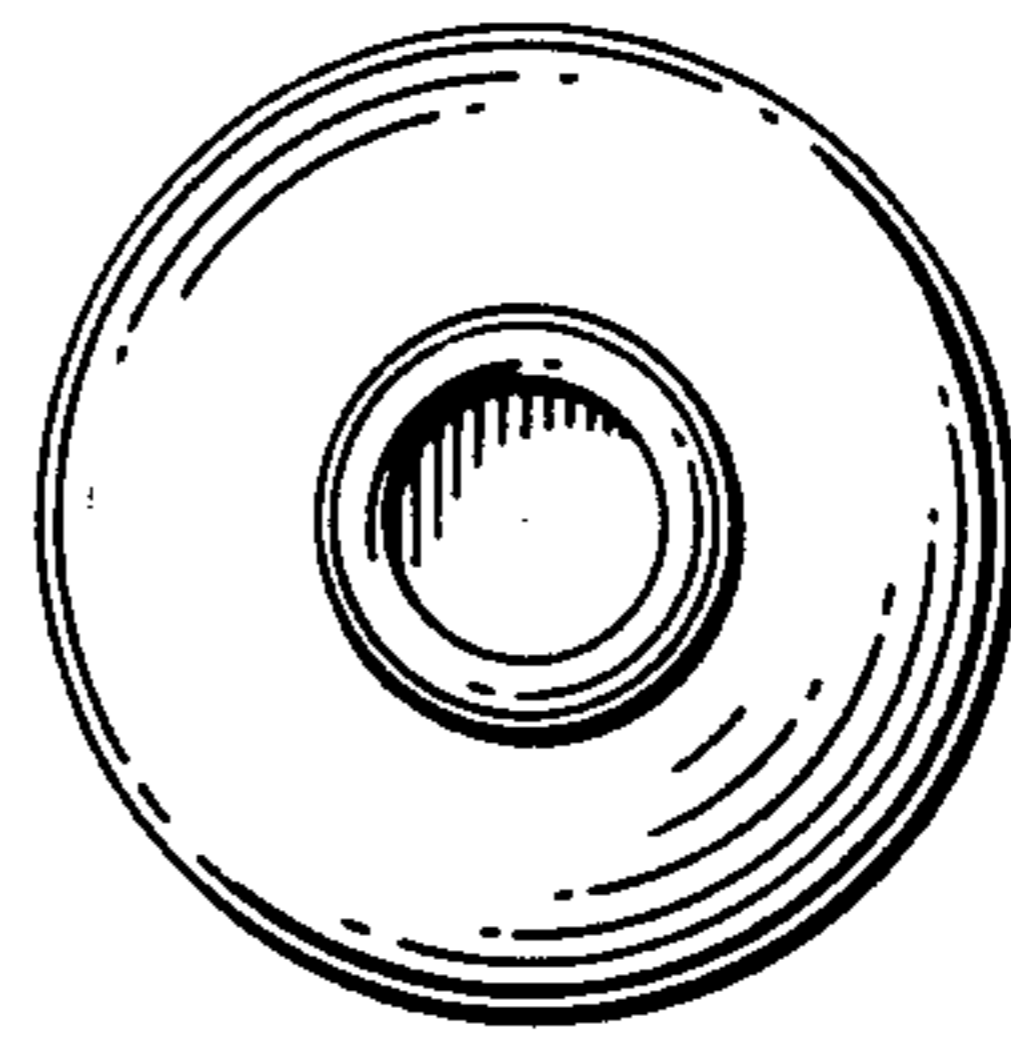
[56] References Cited  
U.S. PATENT DOCUMENTS

D. 170,533 10/1953 Hennessy ..... D9/104  
 D. 203,707 2/1966 Piergallini ..... D9/103

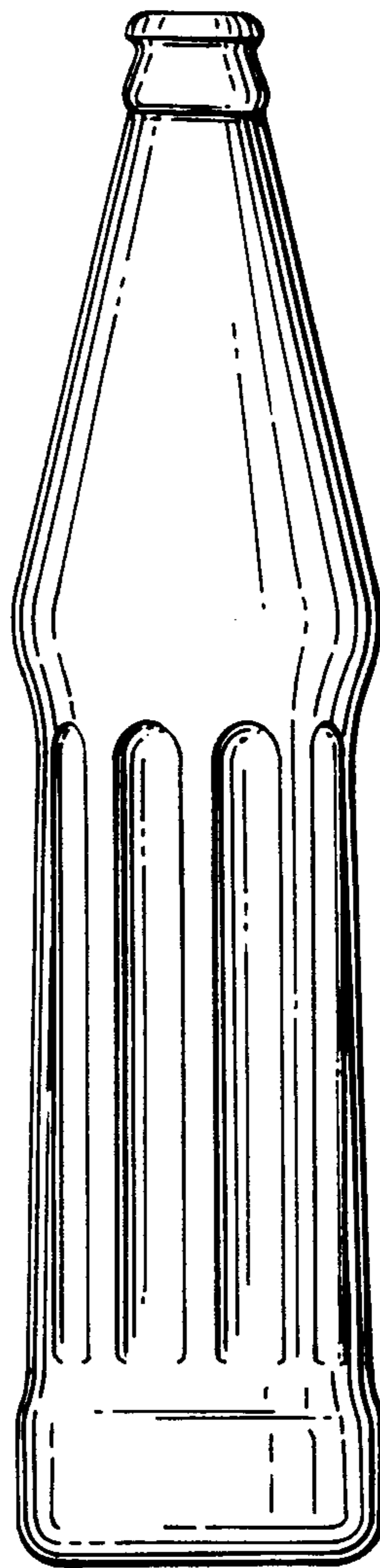




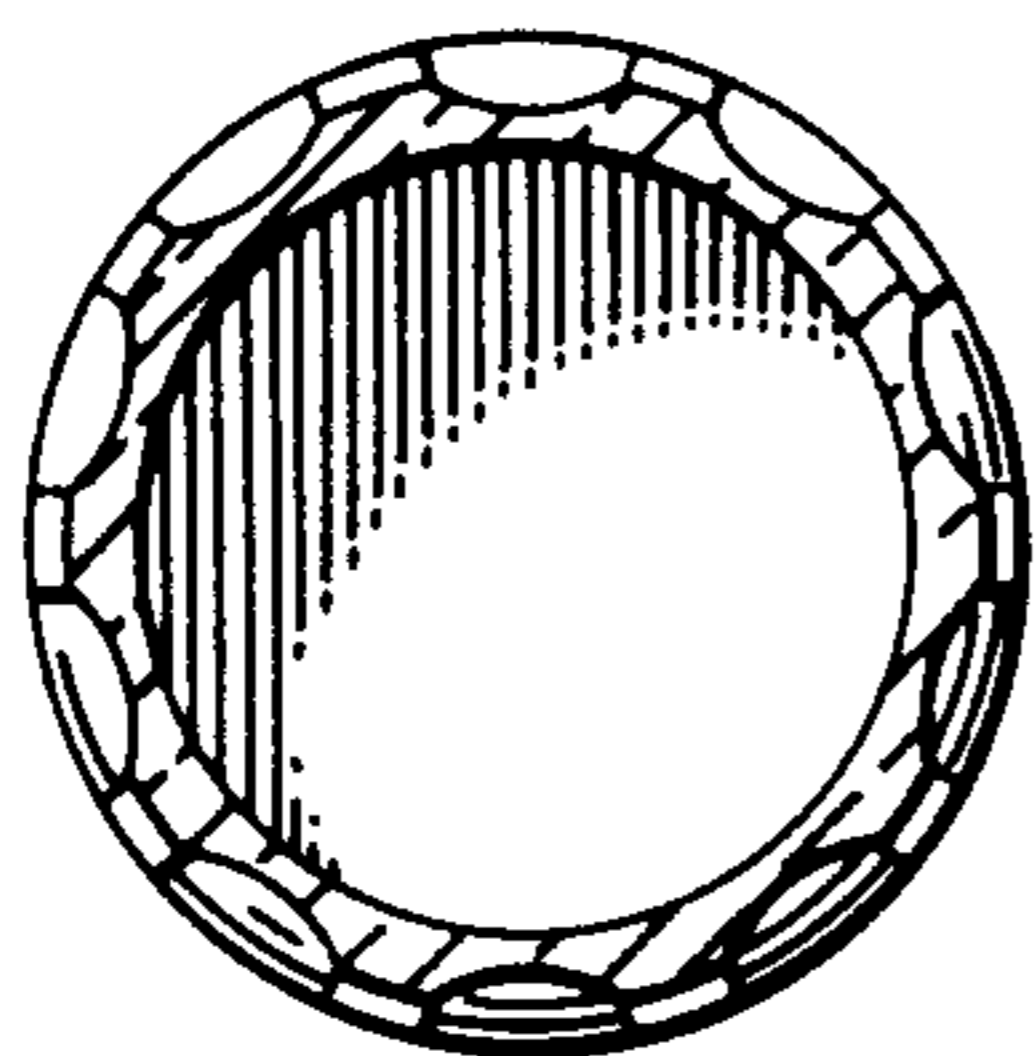
*FIG. 1*



*FIG. 4*



*FIG. 2*



*FIG. 3*