

[54] INTEGRATED CIRCUIT CARRIER

3,746,157 7/1973 P'Anson 206/331
3,988,648 10/1976 Robinson 361/403

[76] Inventor: Milton I. Ross, 400 College Ave.,
Haverford, Pa. 19041

Primary Examiner—Catherine E. Kemper
Attorney, Agent, or Firm—Walter B. Udell

[**] Term: 14 Years

[57] CLAIM

[21] Appl. No.: 858,675

The ornamental design for integrated circuit carrier, as
shown and described.

[22] Filed: Dec. 8, 1977

DESCRIPTION

[51] Int. Cl. D9-03

FIG. 1 is an isometric view of my new design for inte-
grated circuit carrier;

[52] U.S. Cl. D9/187

FIG. 2 is a top view of my new design for integrated
circuit carrier;

[58] Field of Search D13/40, 41, 99; D9/184,
D9/187; 206/328, 329, 330, 331, 332, 334;
361/393, 394, 397, 399, 403, 413, 415, 419, 420,
426; 174/52 R, 52 P; 339/17 CF, 119, 174

FIG. 3 is a bottom view of my new design for integrated
circuit carrier;

[56] References Cited

FIG. 4 is an end view of my new design for integrated
circuit carrier, the opposite end being a mirror image;

U.S. PATENT DOCUMENTS

FIG. 5 is a side view of my new design for integrated
circuit carrier as seen from the left of FIG. 2;

3,529,277	9/1970	Barnes	339/174	X
3,652,974	3/1972	Terns	361/403	X
3,711,625	1/1973	Dupuis	174/52	PE

FIG. 6 is a view of the side opposite that shown in FIG.
5.

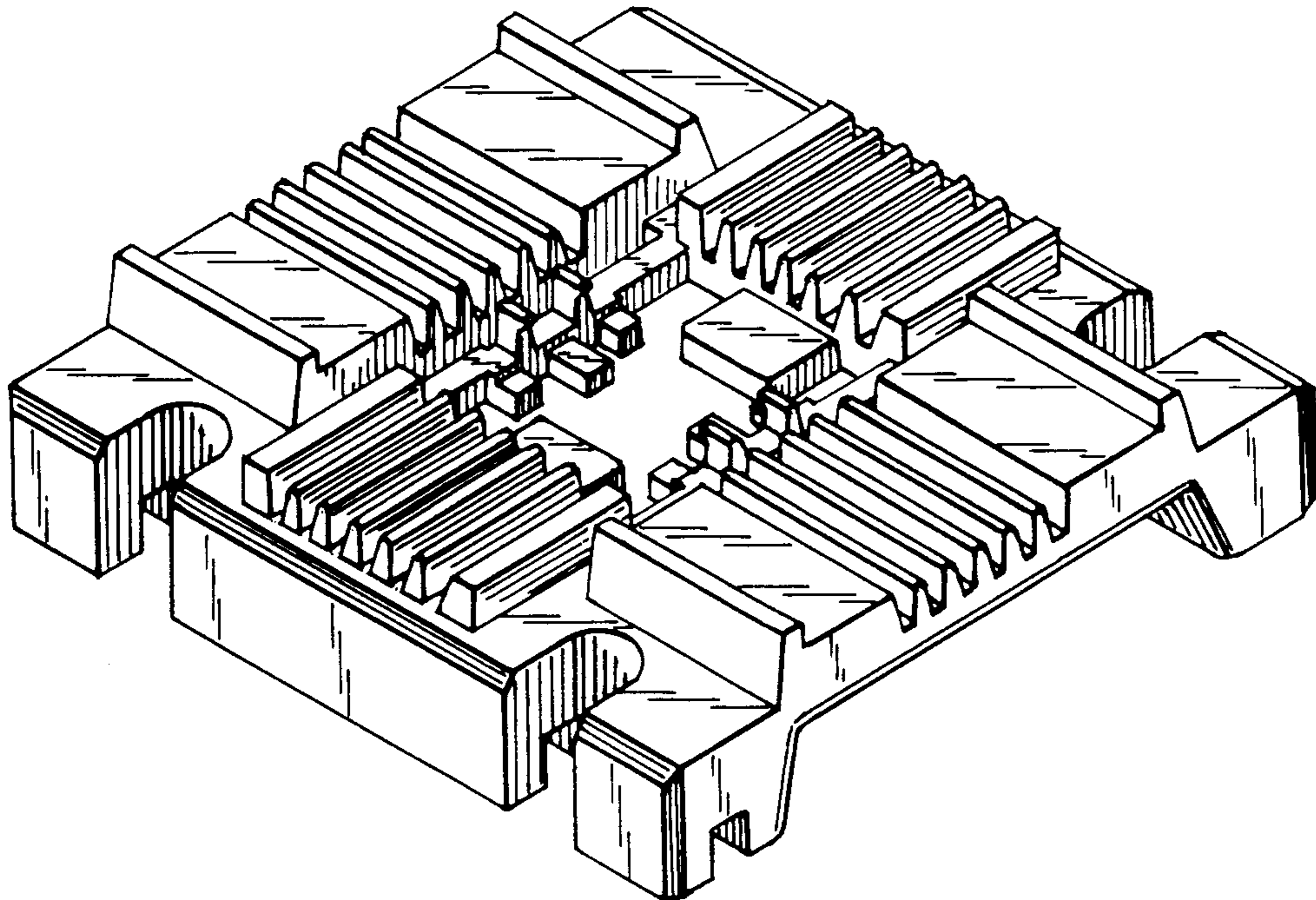


FIG. 1.

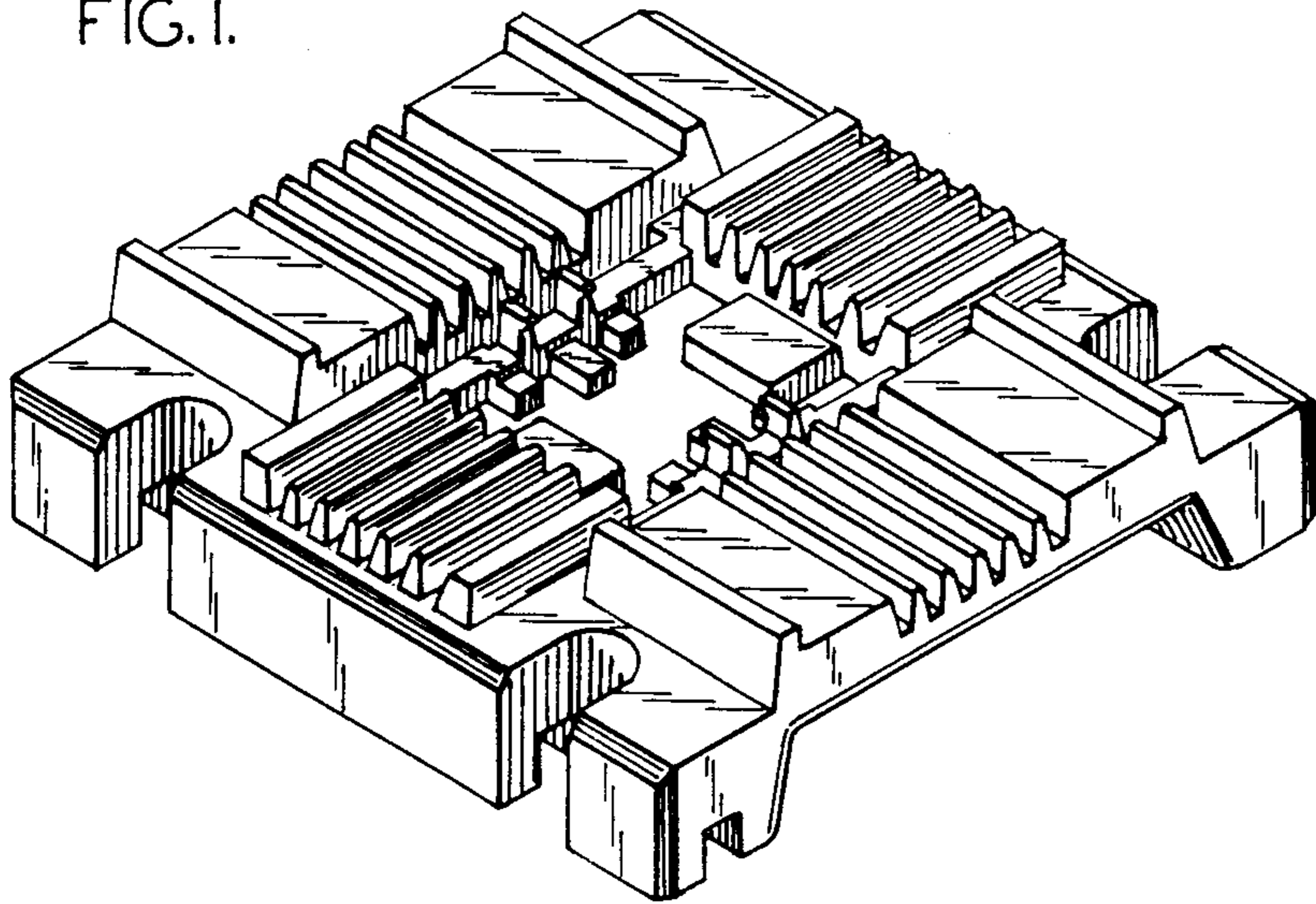


FIG. 2.

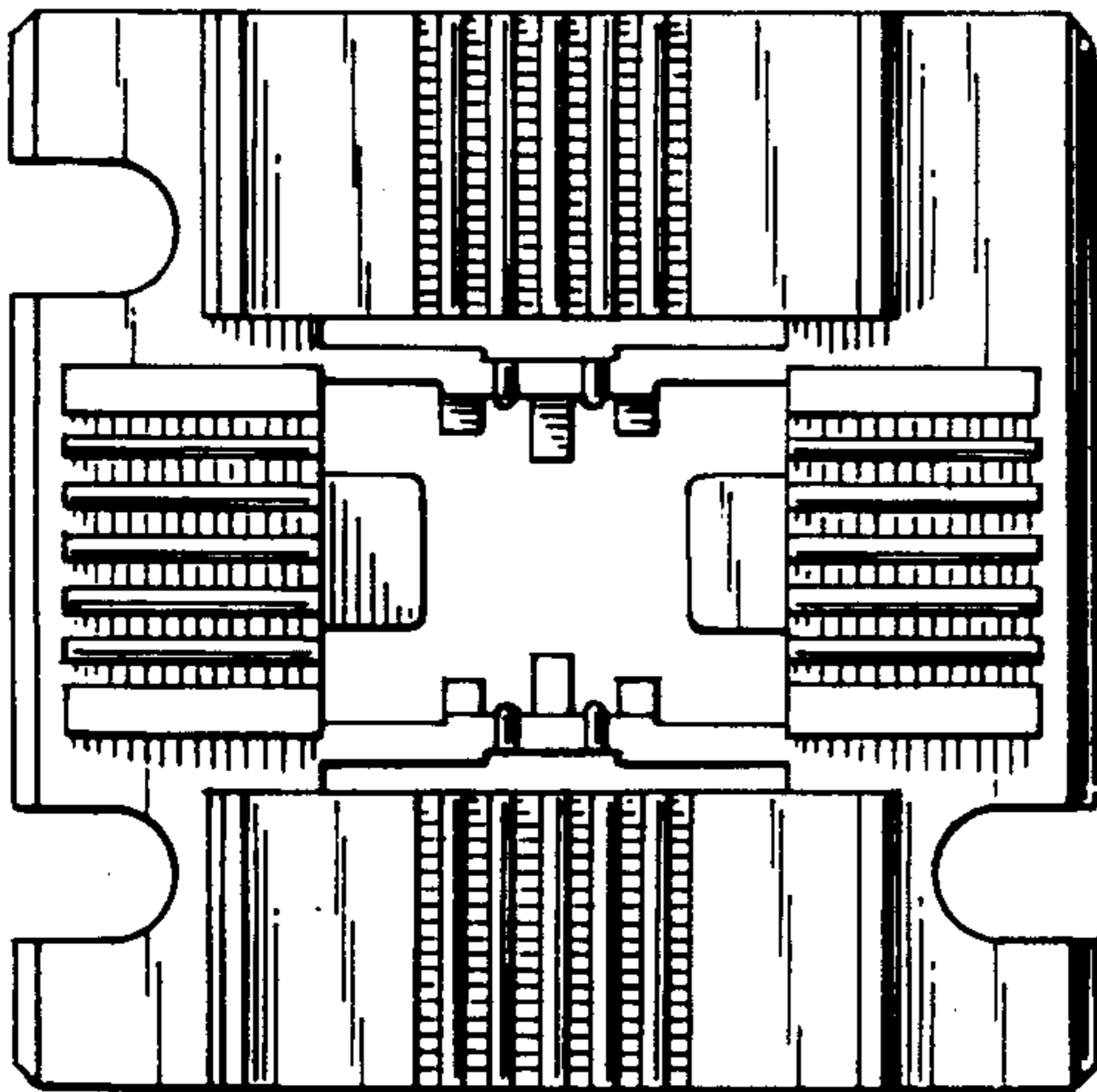


FIG. 3.

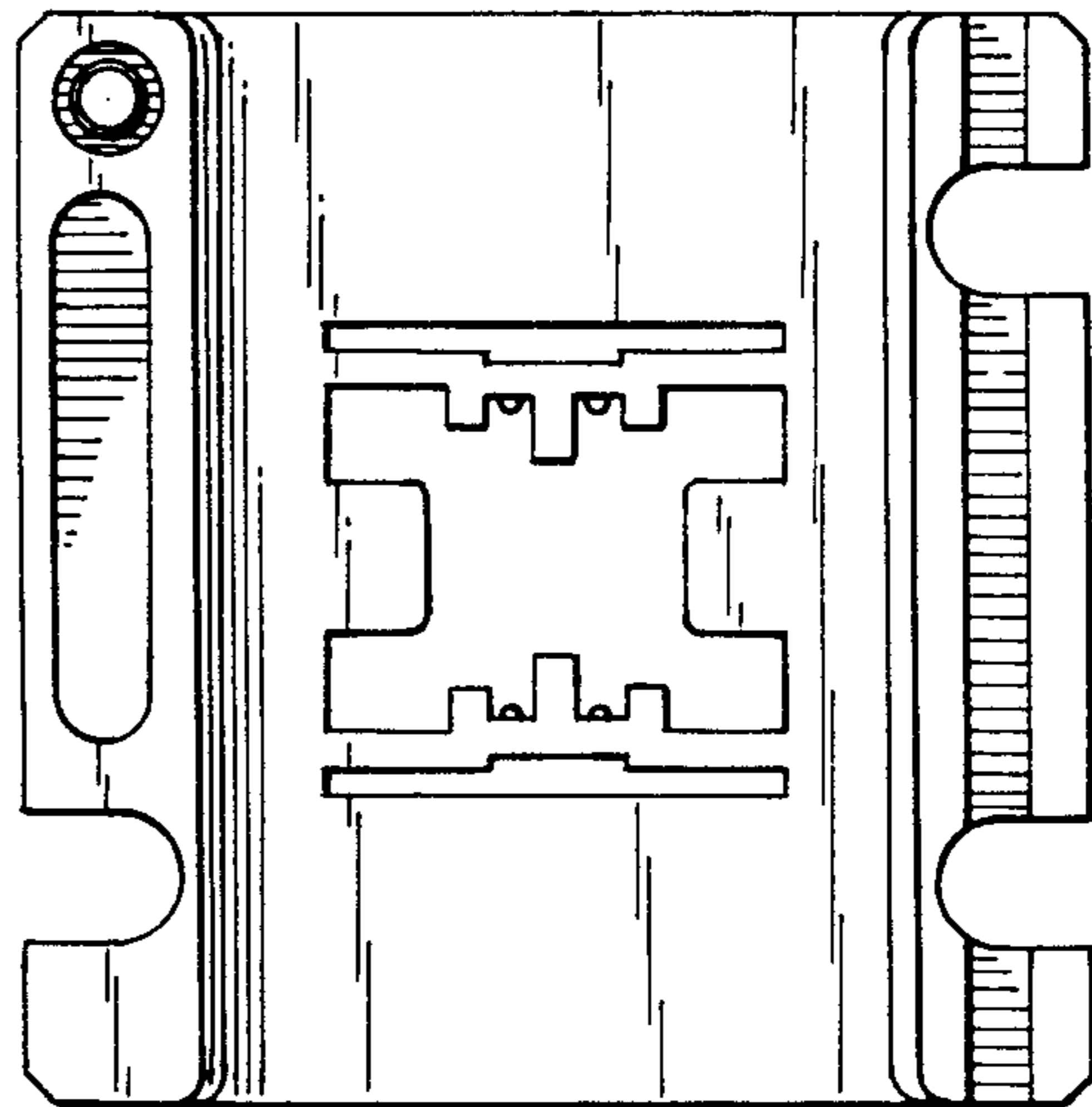


FIG. 4.

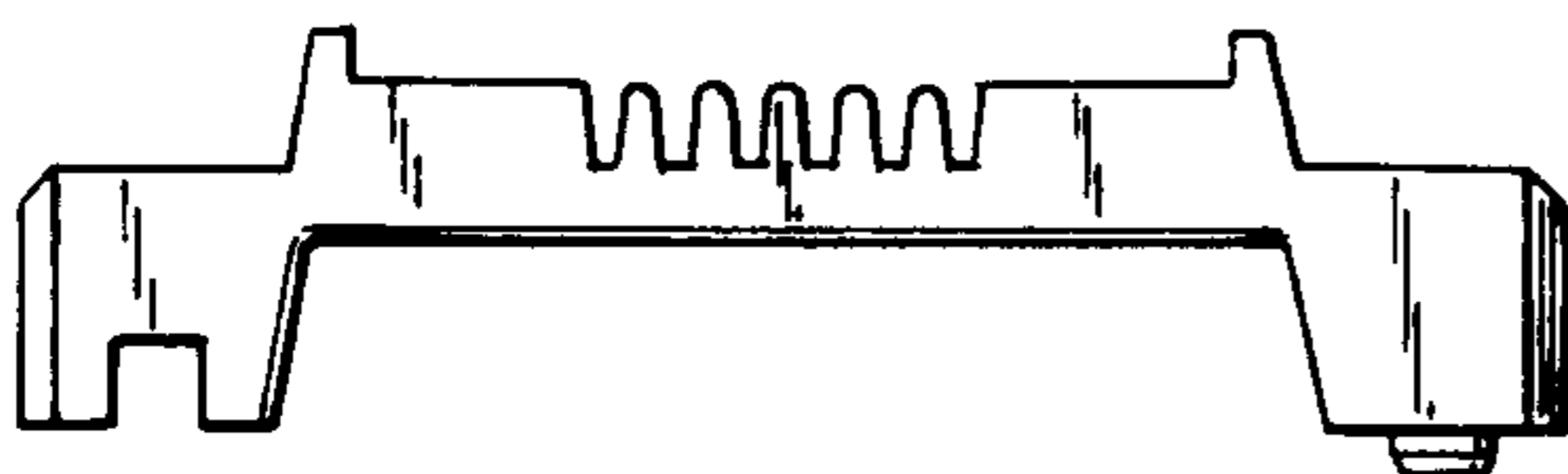


FIG. 5.

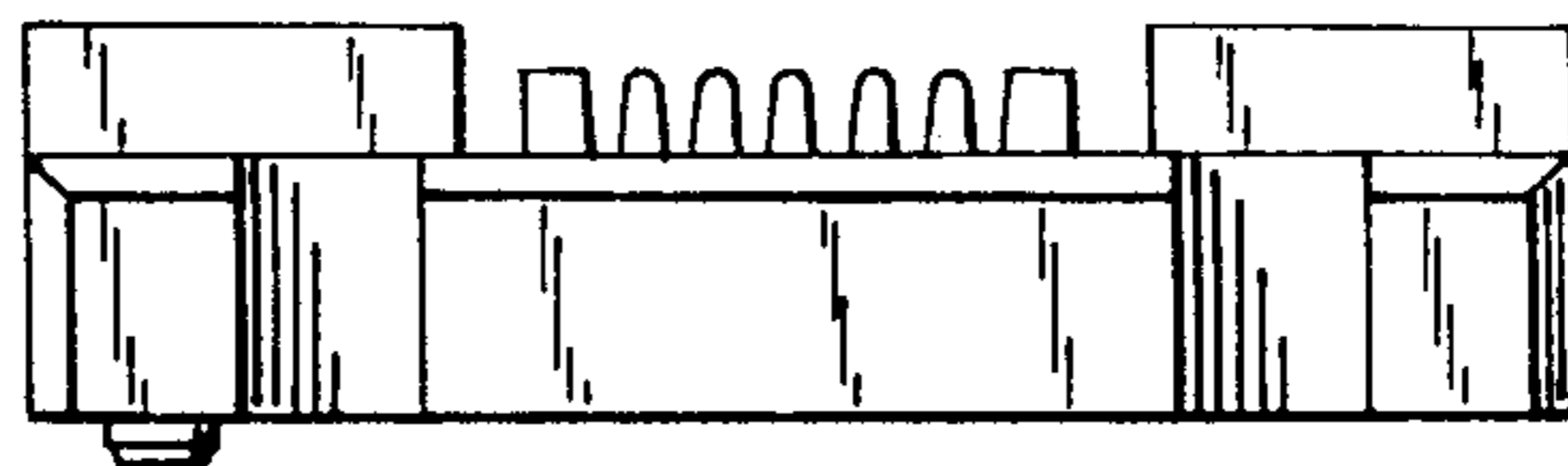


FIG. 6.

