

[54] LINE WINDER

892,349 6/1908 Bailey 242/96

[76] Inventor: Kurt A. Greber, 3732 Randy Ct., Cincinnati, Ohio 45239

Primary Examiner—Peter Feldman
Attorney, Agent, or Firm—Albert E. Strasser

[**] Term: 14 Years

[57] CLAIM

[21] Appl. No.: 959,717

The ornamental design for a line winder as shown and described.

[22] Filed: Nov. 13, 1978

DESCRIPTION

[51] Int. Cl. D8—05; D8—99

FIG. 1 is a reduced perspective view of a line winder showing my new design.

[52] U.S. Cl. D8/359

FIG. 2 is a top plan view thereof.

[58] Field of Search D8/358, 359; D22/25; 242/85, 85.1, 96, 100, 104

FIG. 3 is a side elevational view taken from the left side of FIG. 2.

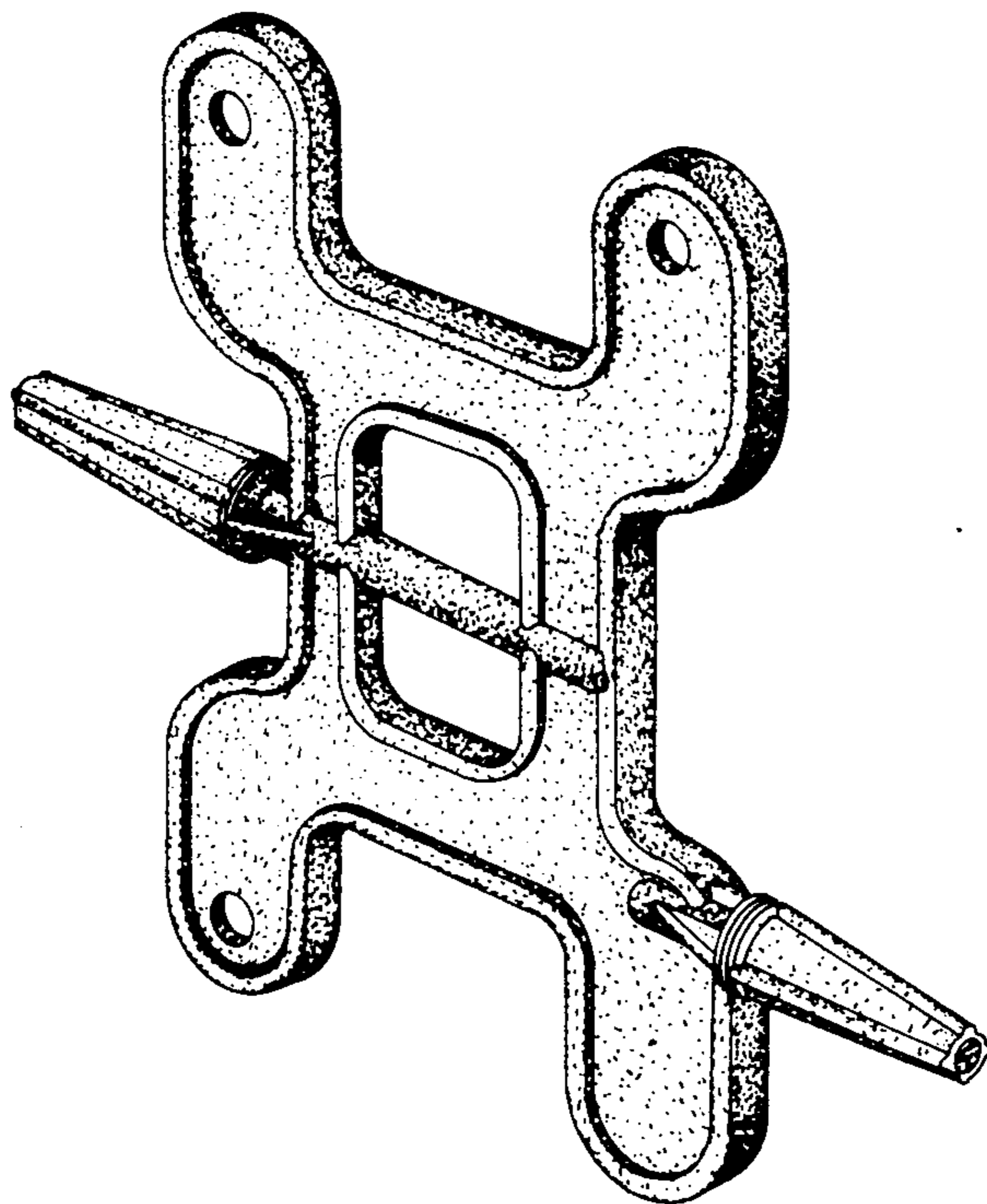
[56] References Cited

U.S. PATENT DOCUMENTS

FIG. 4 is a front elevational view of FIG. 1, the side opposite being a mirror image thereof.

D. 170,162 8/1953 Ogren D8/359

FIG. 5 is a side elevational view taken from the right side of FIG. 4.



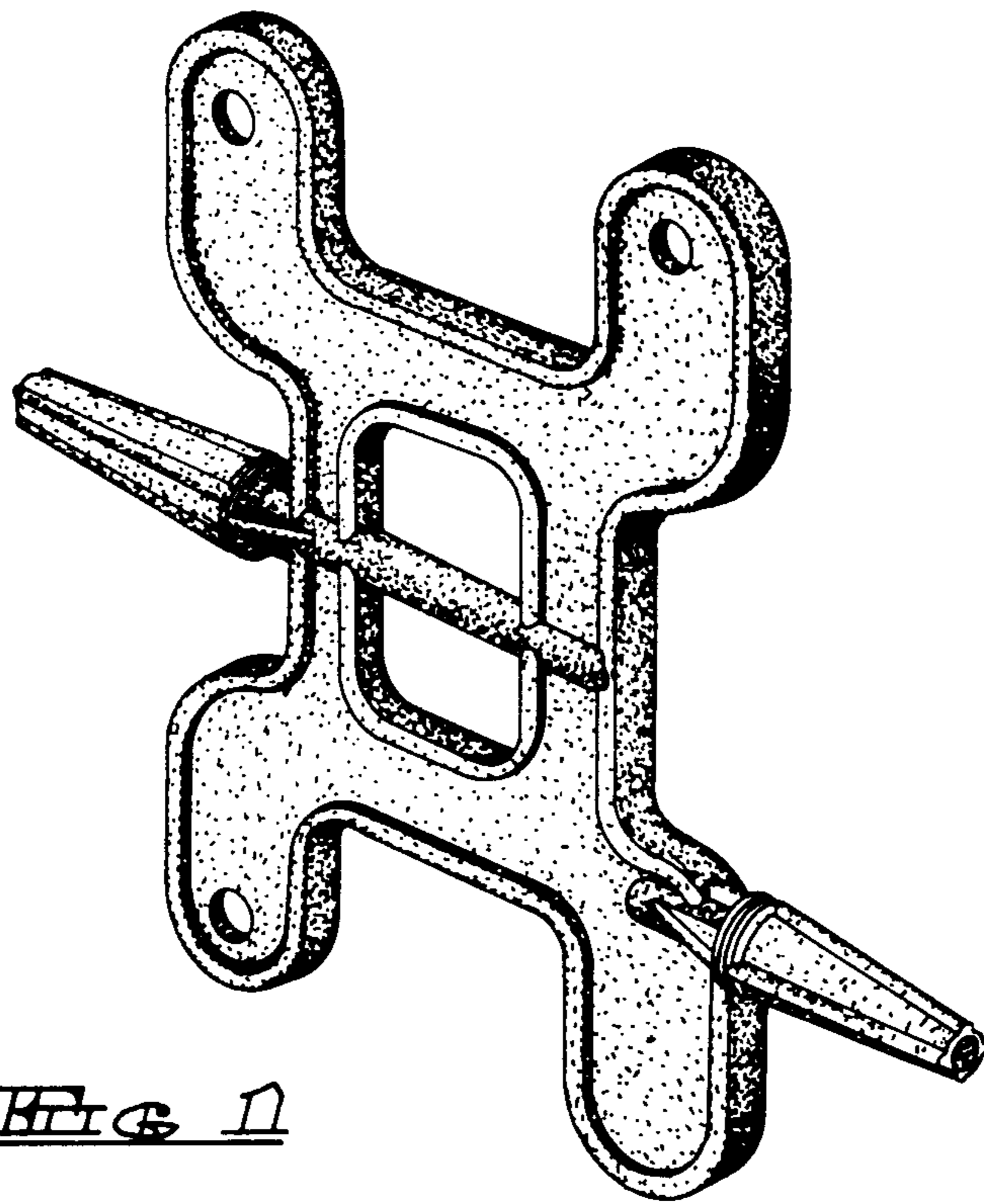


FIG 1



FIG 2



FIG. 2

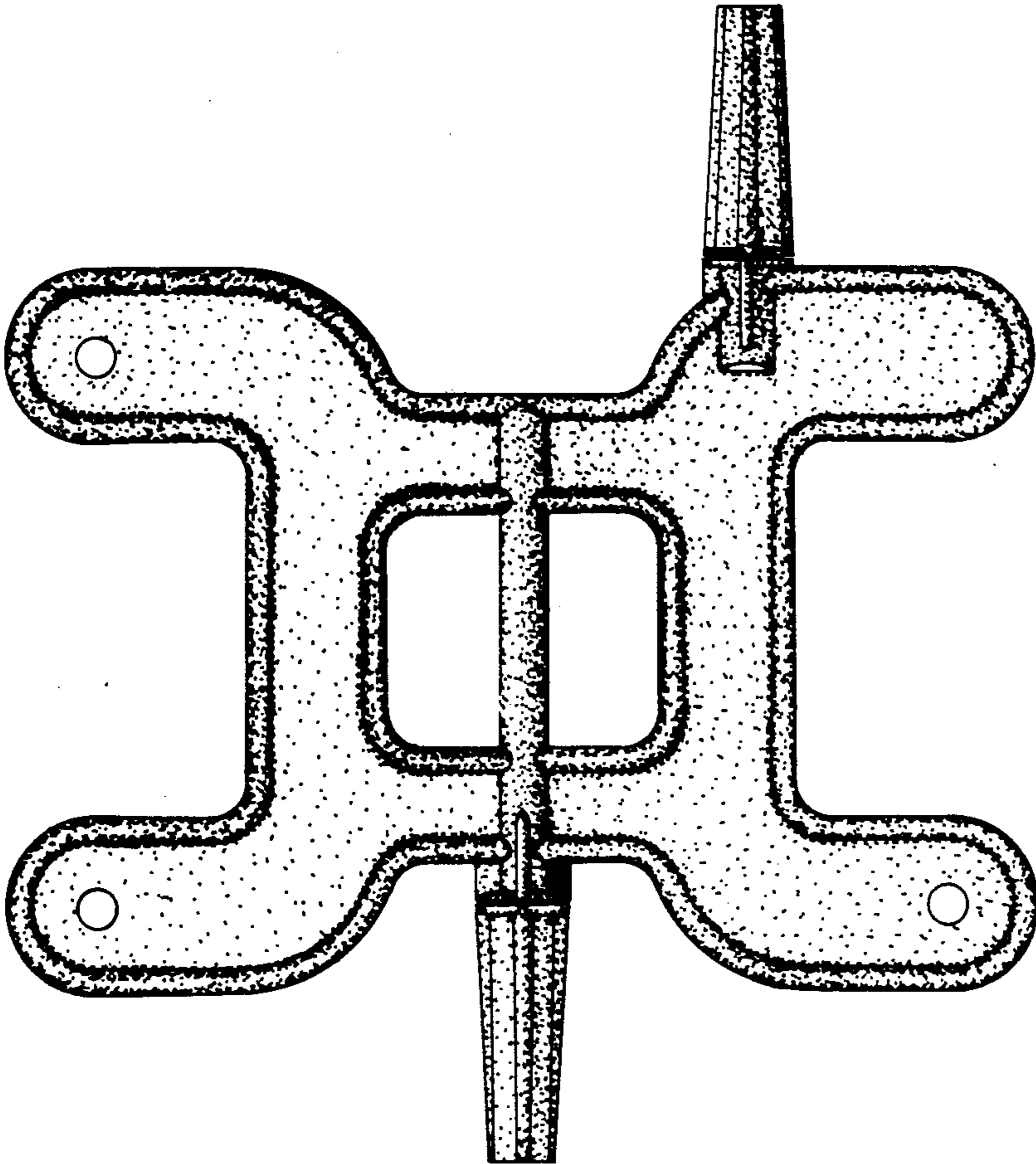


FIG. 4



FIG. 3