

[54] CLEAT

[76] Inventor: **Richard D. Cox**, 22533 Winfield,
Novi, Mich. 48050

[**] Term: **14 Years**

[21] Appl. No.: **953,430**

[22] Filed: **Oct. 23, 1978**

[51] Int. Cl. **D8—08**

[52] U.S. Cl. **D8/382; D8/356;
D8/358**

[58] Field of Search **D8/499, 382, 349, 354,
D8/356, 358, 383; 114/218, 210; 24/129 R, 129
B; 248/67.5, 72, 74 R, 225.3 R, 225.4, 231.1**

[56] **References Cited**
U.S. PATENT DOCUMENTS

1,328,985	1/1920	Cook et al.	114/218
2,208,358	7/1940	Chandler	248/72
3,905,322	9/1975	Peterman et al.	D8/382
4,078,512	3/1978	Rossini	114/210

Primary Examiner—Barbara J. Bullock
Attorney, Agent, or Firm—James M. Deimen

[57] **CLAIM**
The ornamental design for a cleat, as shown.

DESCRIPTION

FIG. 1 is a side view of a cleat showing my new design;
FIG. 2 is a top view thereof;
FIG. 3 is a bottom view thereof;
FIG. 4 is an end view taken from the left of FIG. 1;
FIG. 5 is an end view taken from the right of FIG. 1.

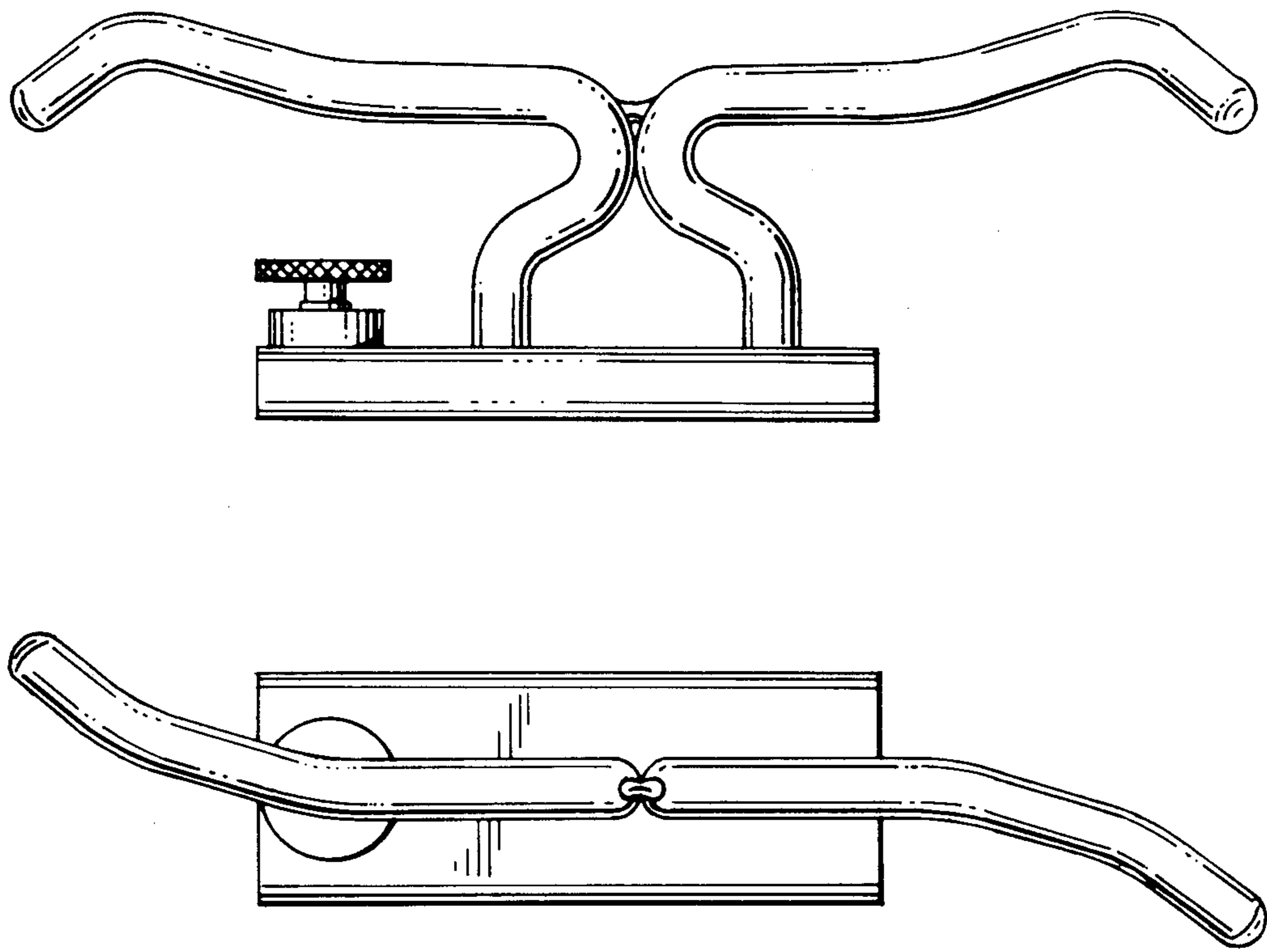


FIG. 1

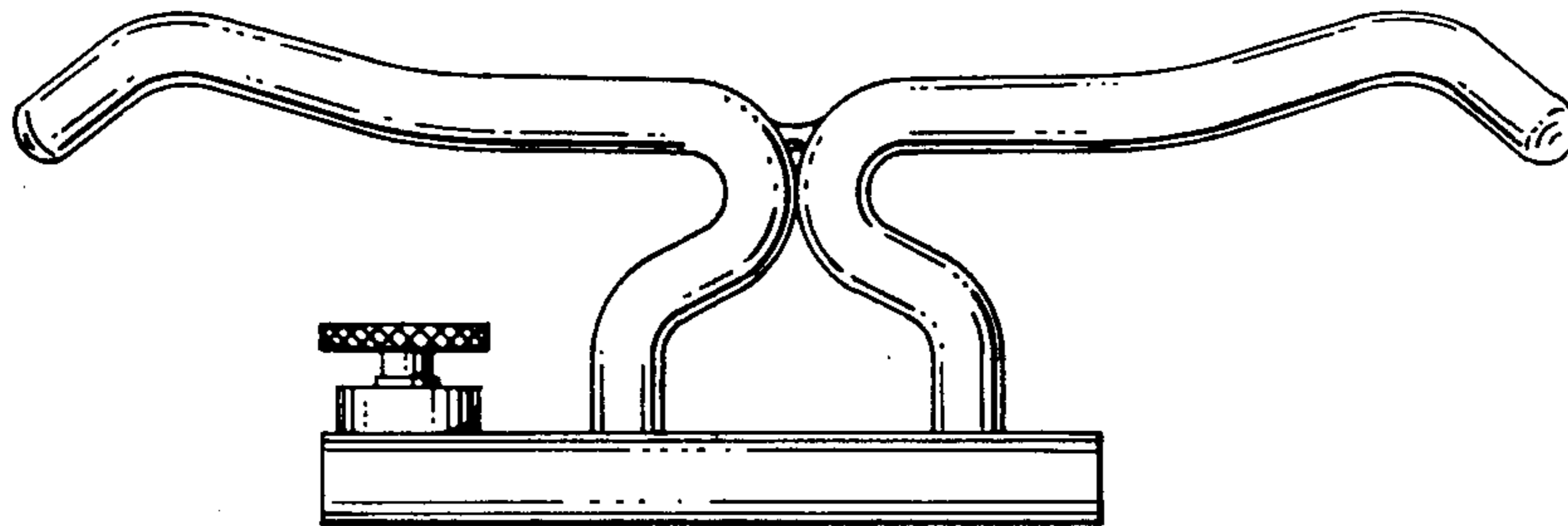


FIG. 2

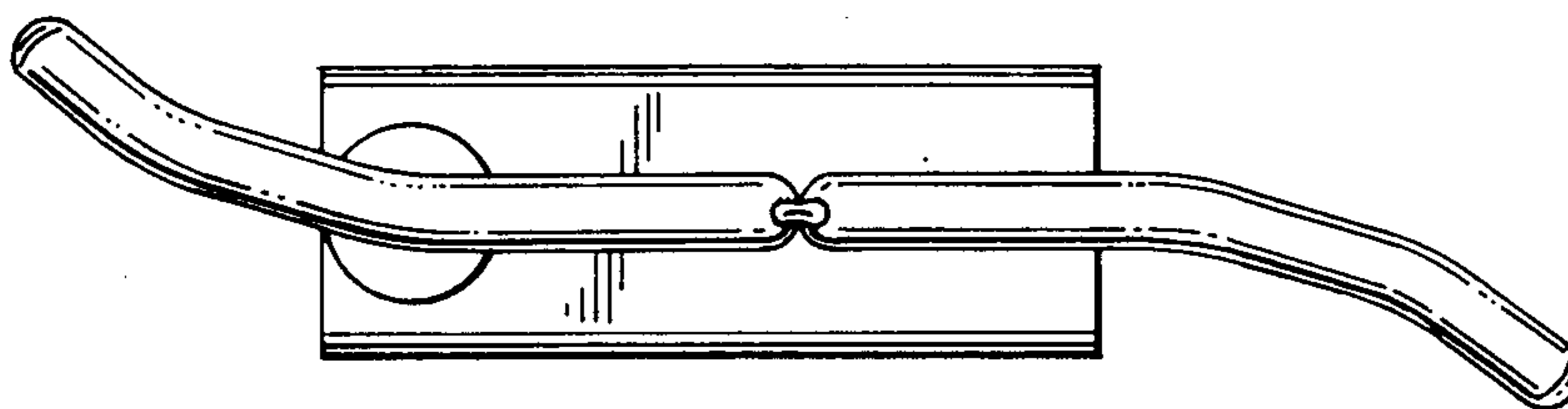


FIG. 3

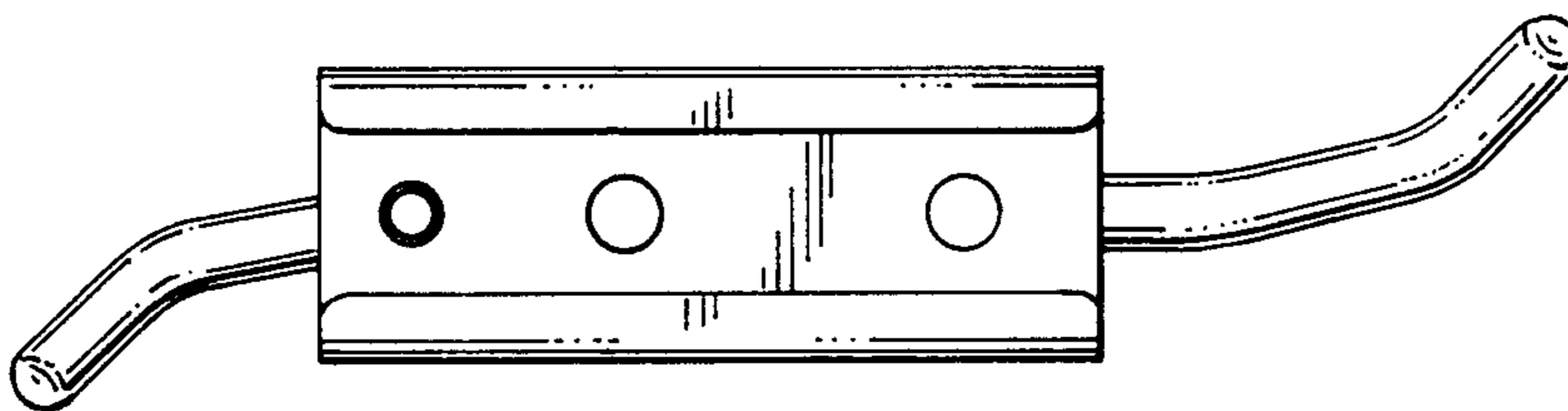


FIG. 4

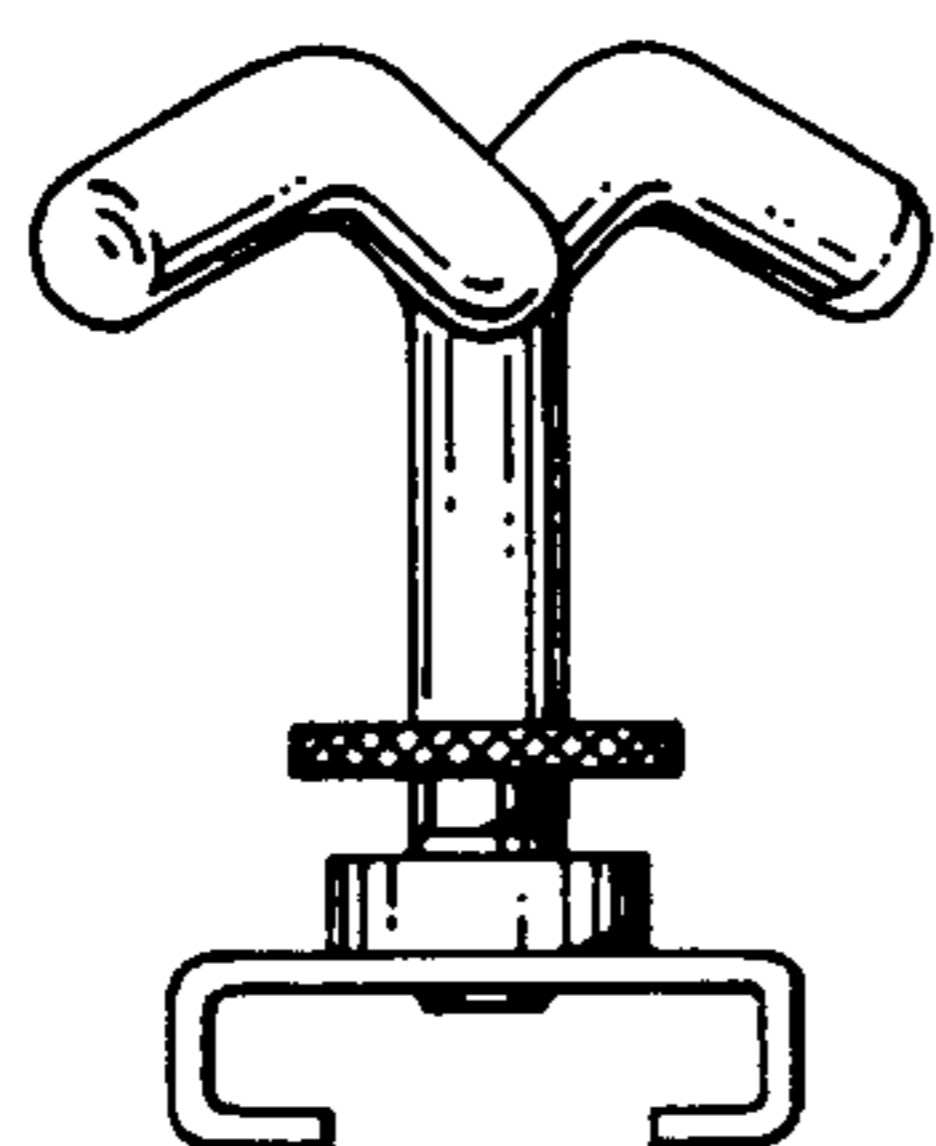


FIG. 5

