

[54] **COMBINED SOAP HOLDER AND SOAP BARS THEREFOR**

[76] Inventor: **Sumner Rosenthal**, 185 E. 85th St., New York, N.Y. 10028

[**] Term: **14 Years**

[21] Appl. No.: **52,758**

[22] Filed: **Jun. 28, 1979**

[51] Int. Cl. **D21-01; D23-02; D28-02**

[52] U.S. Cl. **D6/23; D6/89; D21/108; D28/8.1**

[58] Field of Search **D6/20, 23, 86, 88-94, D6/96-104; D28/8.1; 206/77.1; 211/13; D21/102-104, 108**

[56] **References Cited**

U.S. PATENT DOCUMENTS

D. 59,416	10/1921	Finger	D28/8.1
D. 95,797	6/1935	Berger	D6/20
D. 200,117	1/1965	Kolarik	D6/23
2,117,459	5/1938	Stanton	D6/94

OTHER PUBLICATIONS

Deltagram, vol. 21, No. 6, Nov.-Dec. 1952, p. 116, Stacking Blocks (upper right).

Primary Examiner—Barbara J. Bullock
Attorney, Agent, or Firm—Morris N. Reinisch

[57] **CLAIM**

The ornamental design for a combined soap holder and soap bars therefor, substantially as shown and described.

DESCRIPTION

FIG. 1 is a perspective view of a combined soap holder and soap bars therefor showing my new design; FIG. 2 is a top plan view of FIG. 1; FIG. 3 is a front elevational view of FIG. 1; FIG. 4 is a rear elevational view of FIG. 1; FIG. 5 is a bottom plan view of FIG. 1; FIG. 6 is a top plan view of a second embodiment of the design of FIG. 1; FIG. 7 is a side elevational view of FIG. 6; FIG. 8 is a bottom plan view of FIG. 6; FIG. 9 is a top plan view of a third embodiment of the design of FIG. 1; FIG. 10 is a side elevational view of FIG. 9; FIG. 11 is a bottom plan view of FIG. 9.

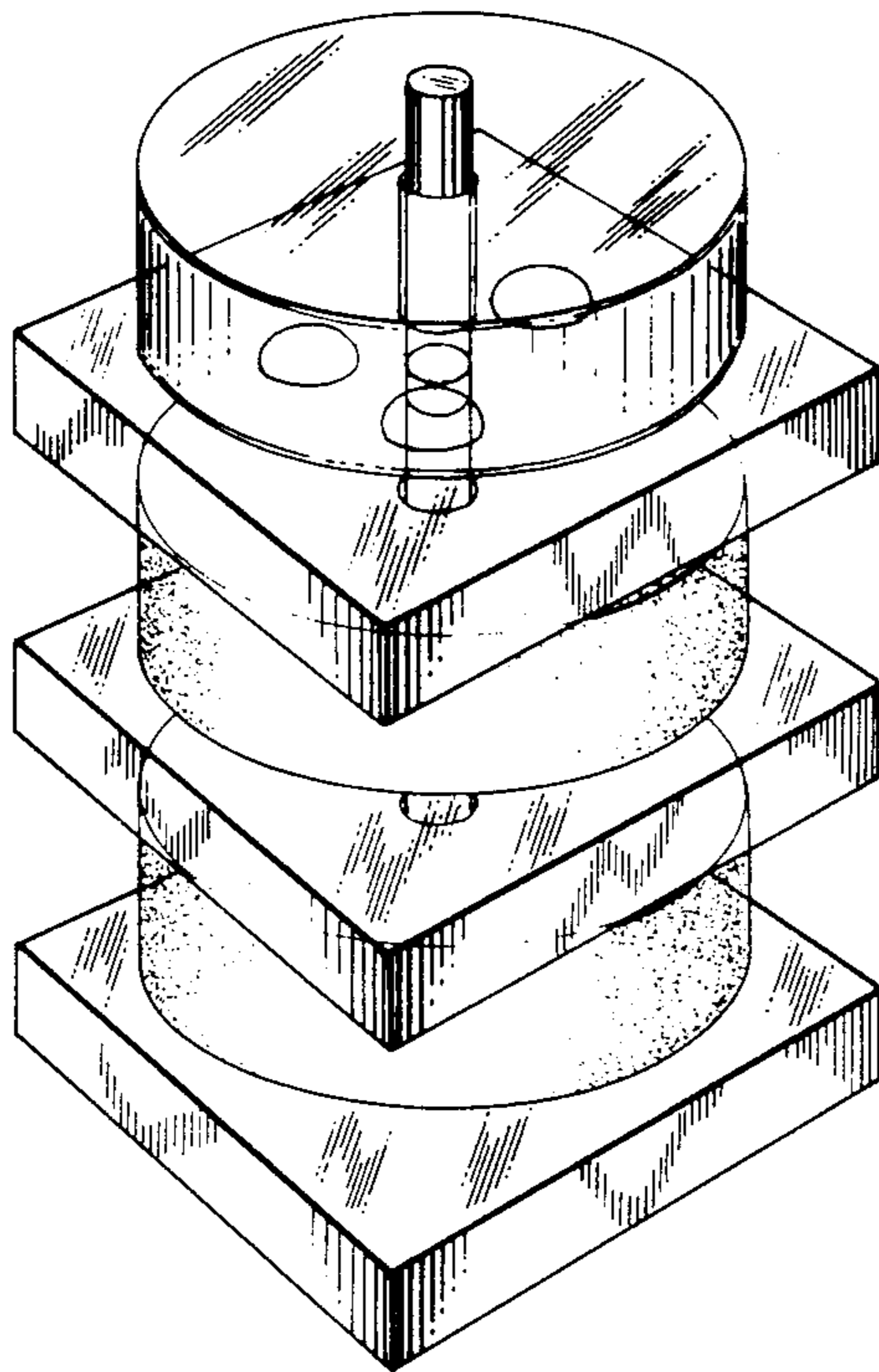


FIG. 1

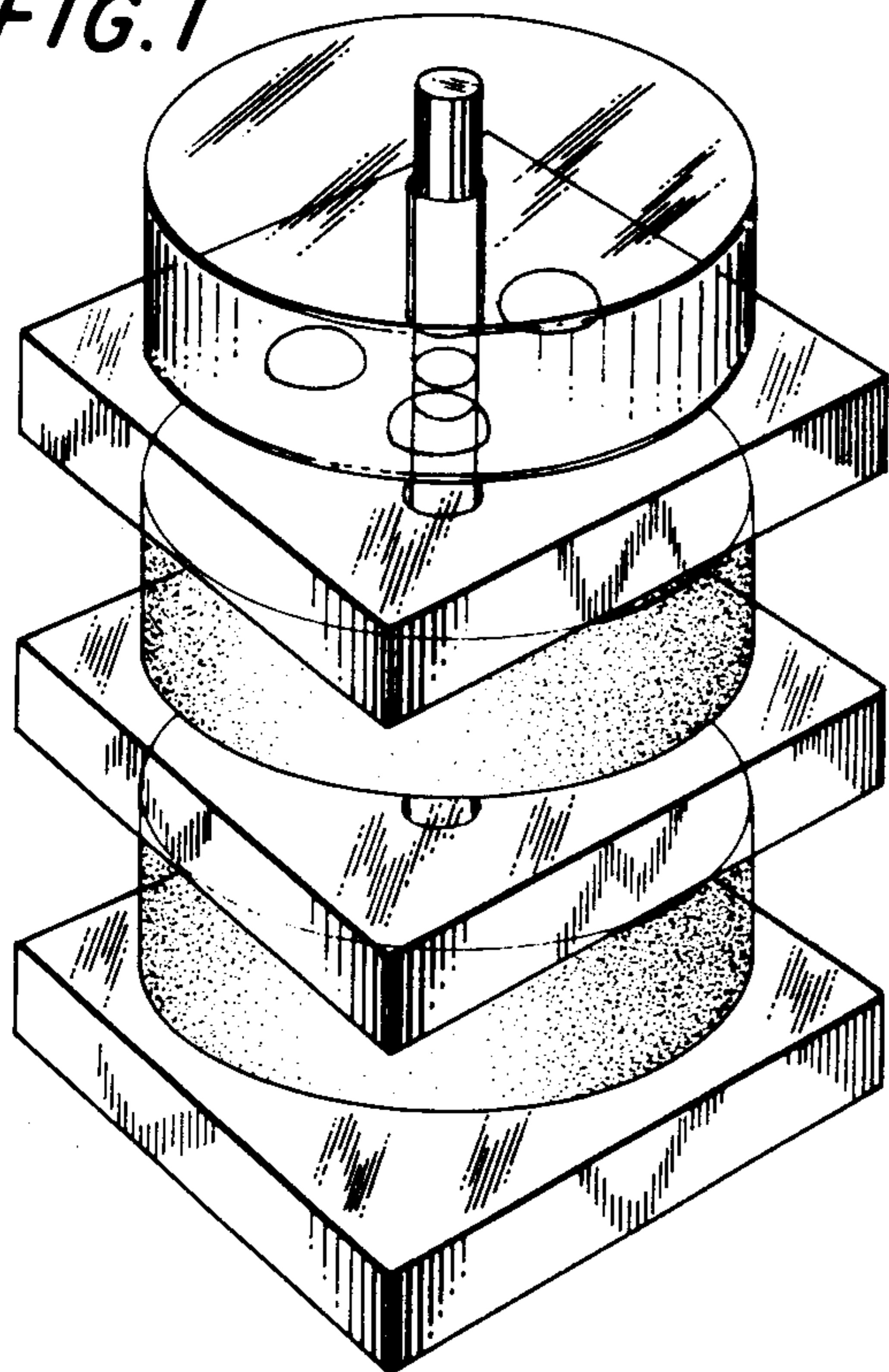


FIG. 2

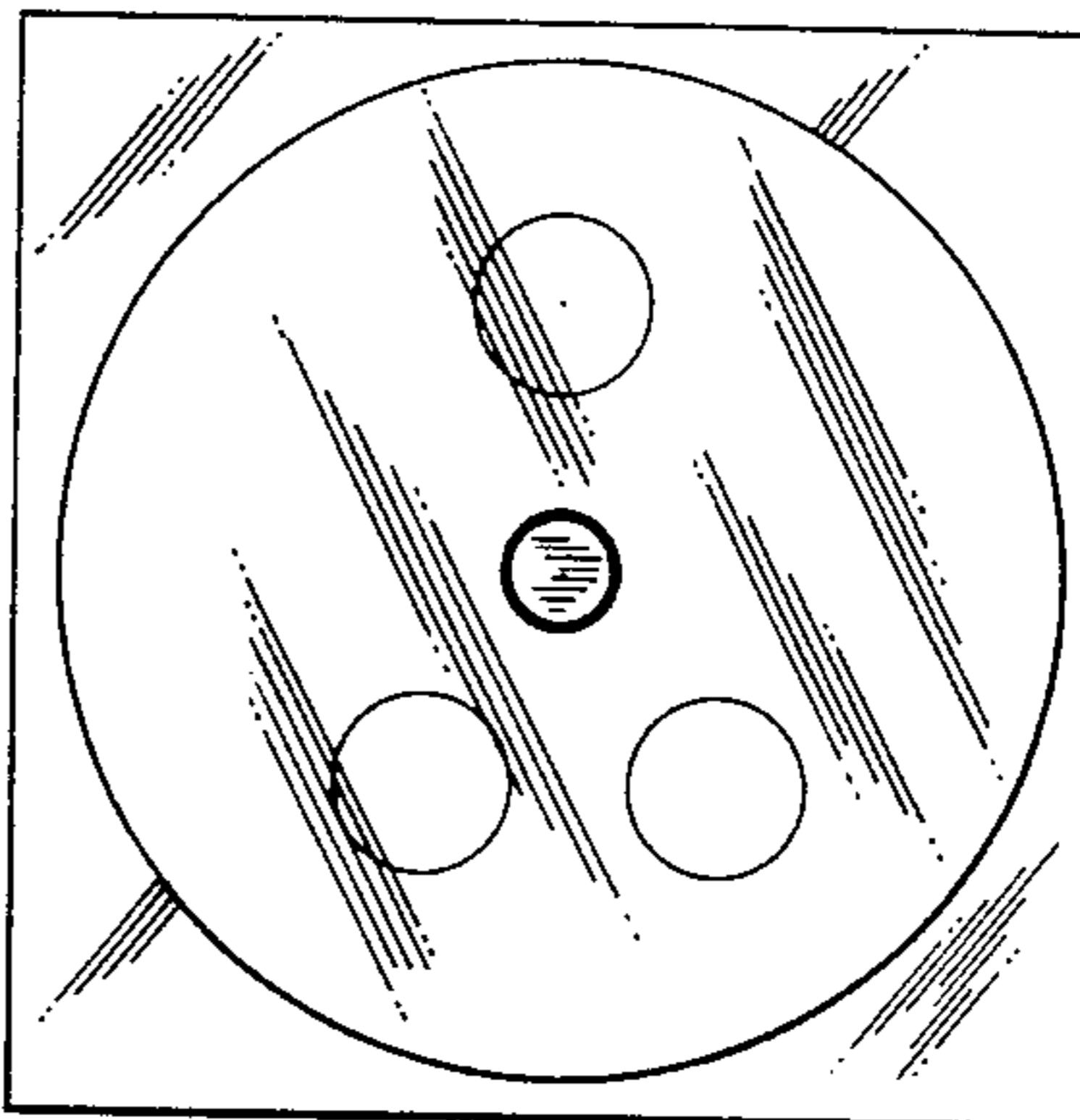


FIG. 3

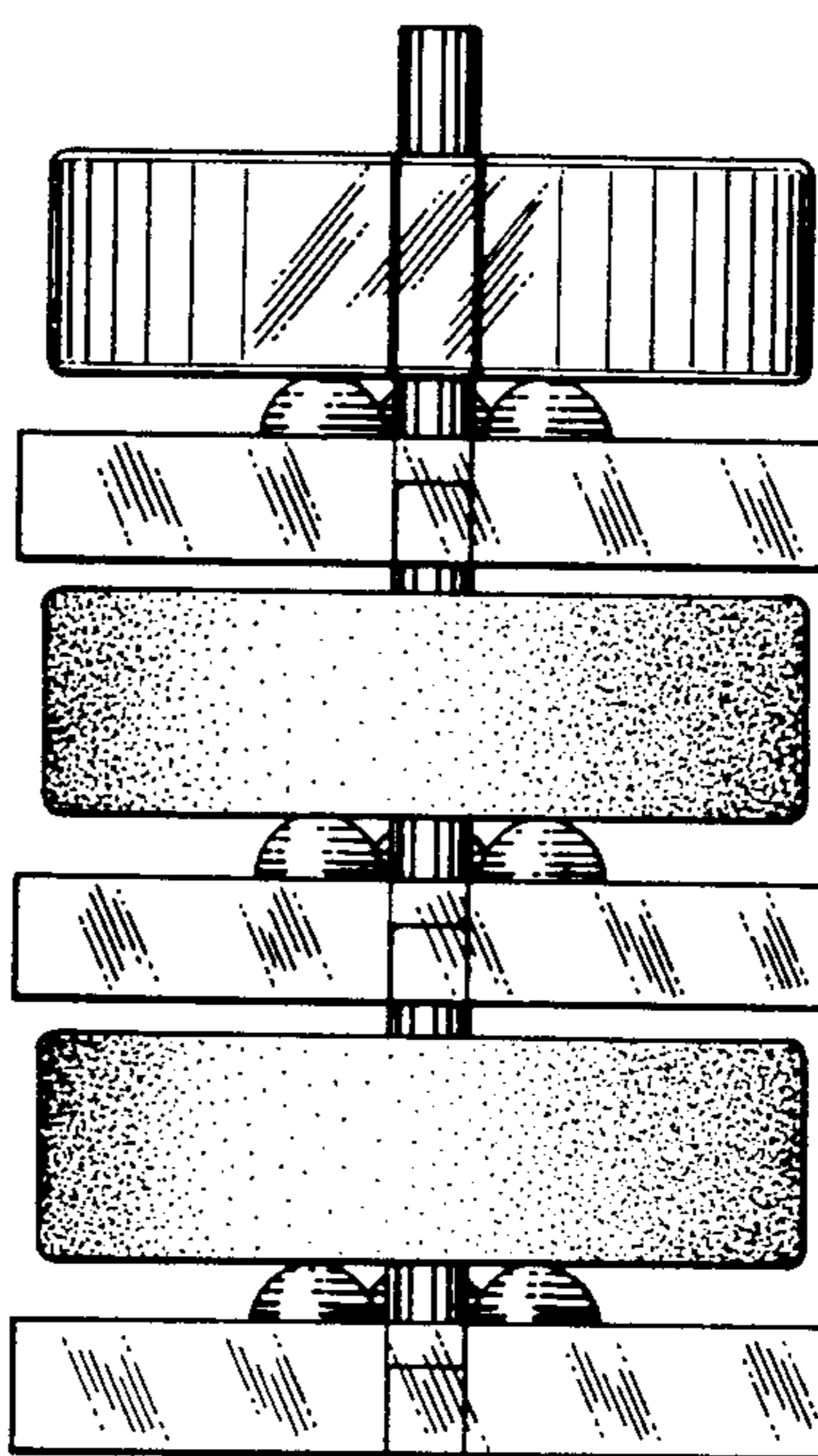


FIG. 4

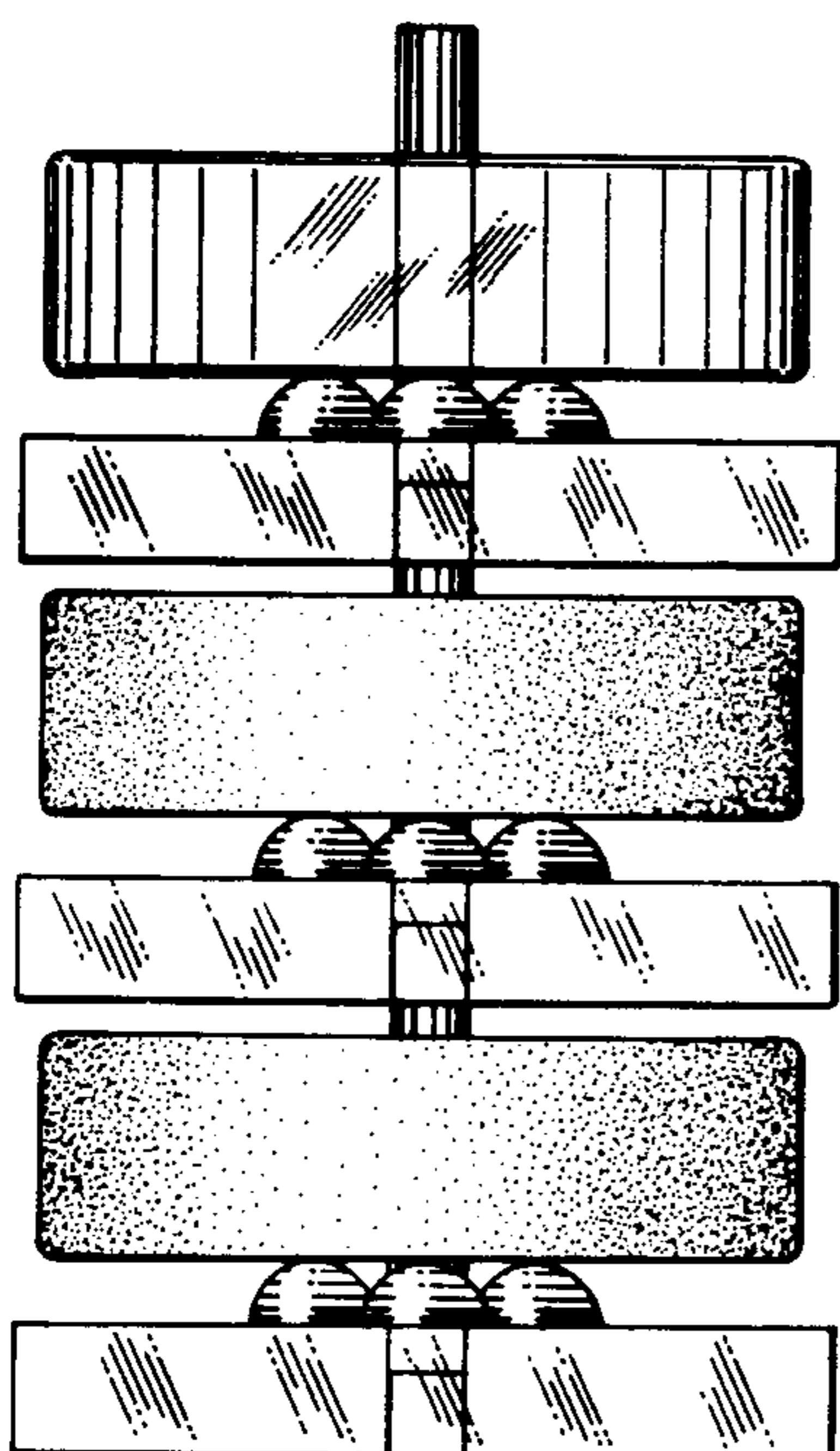


FIG. 5

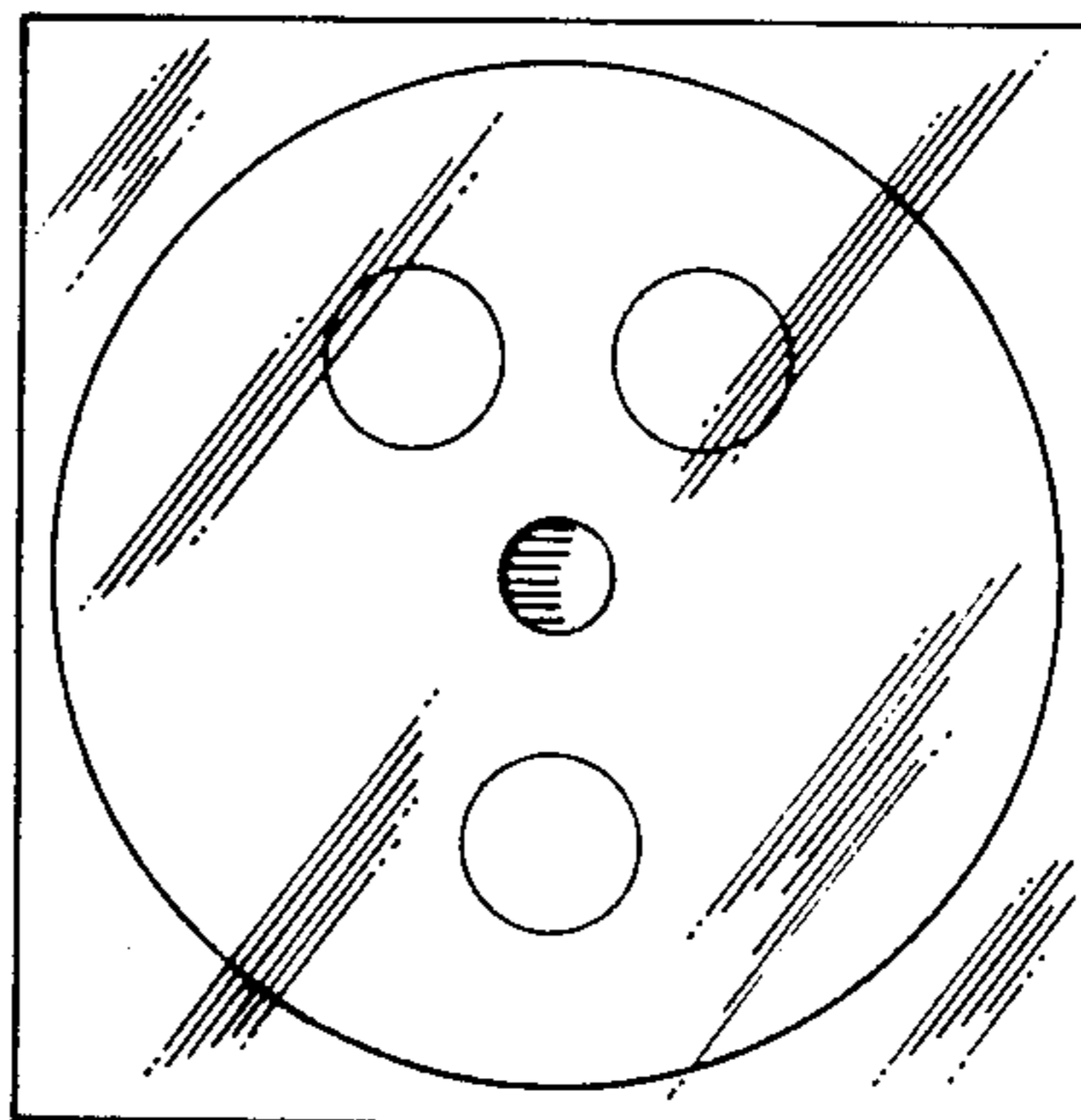


FIG. 6

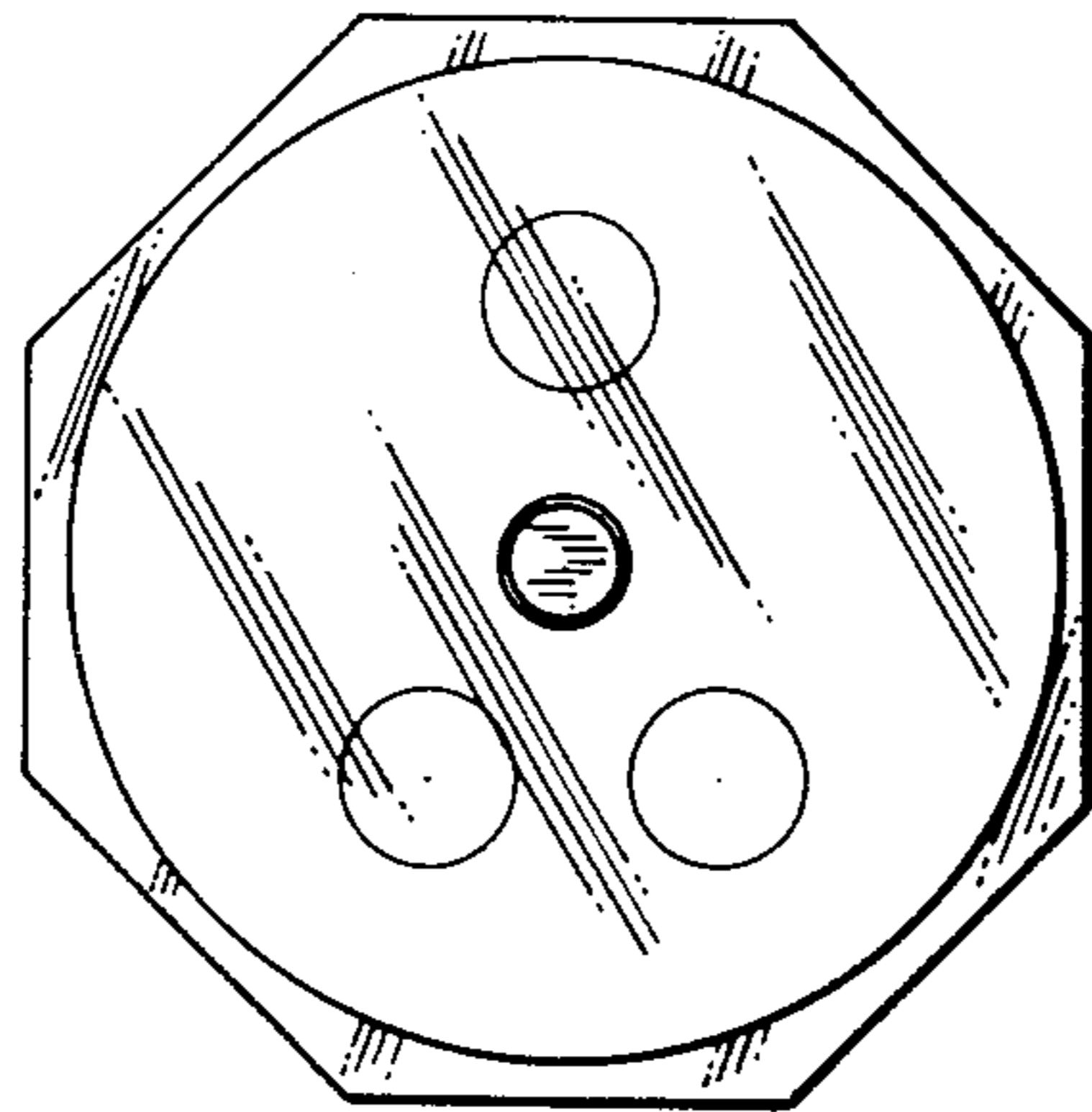


FIG. 7

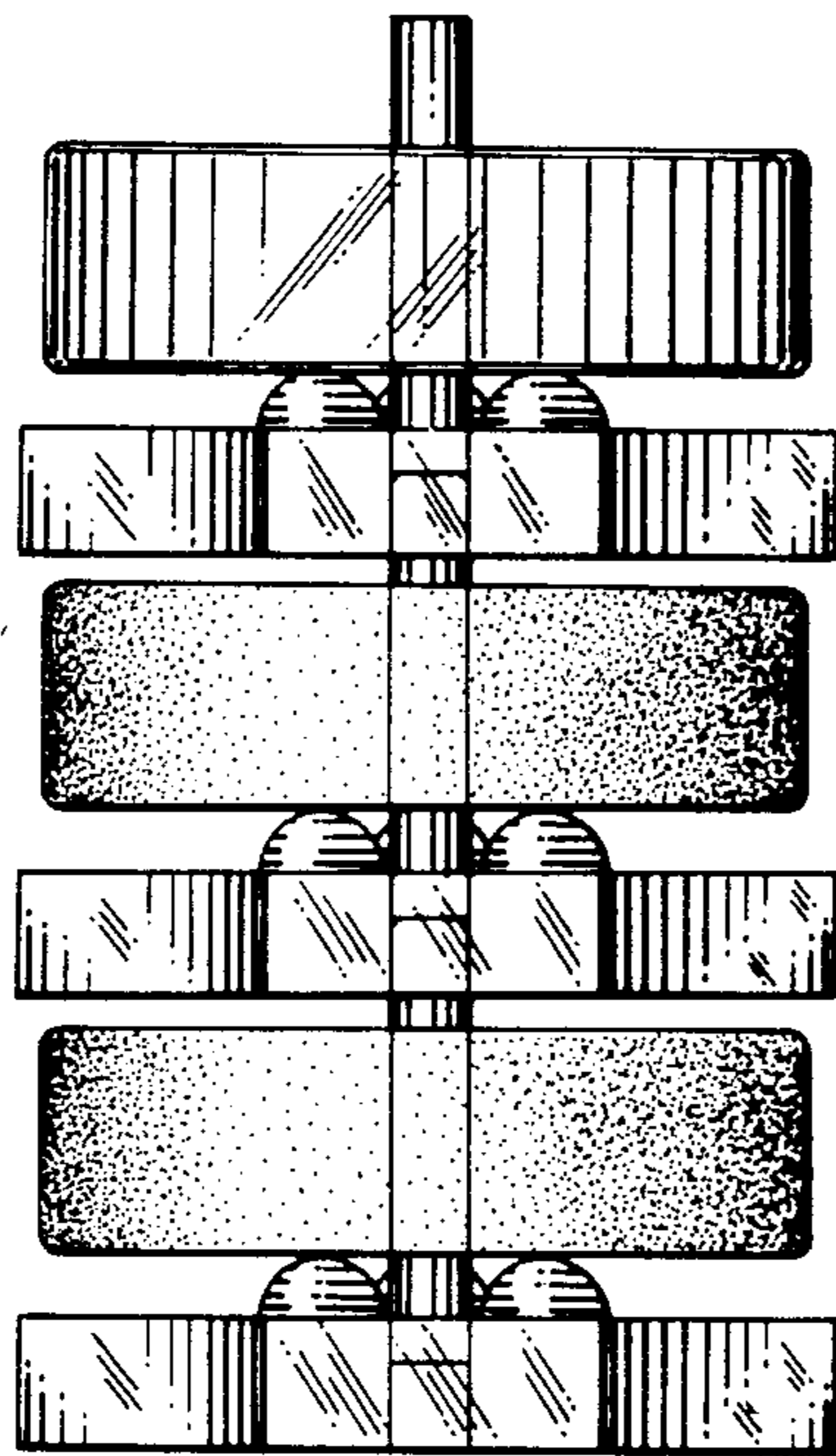


FIG. 8

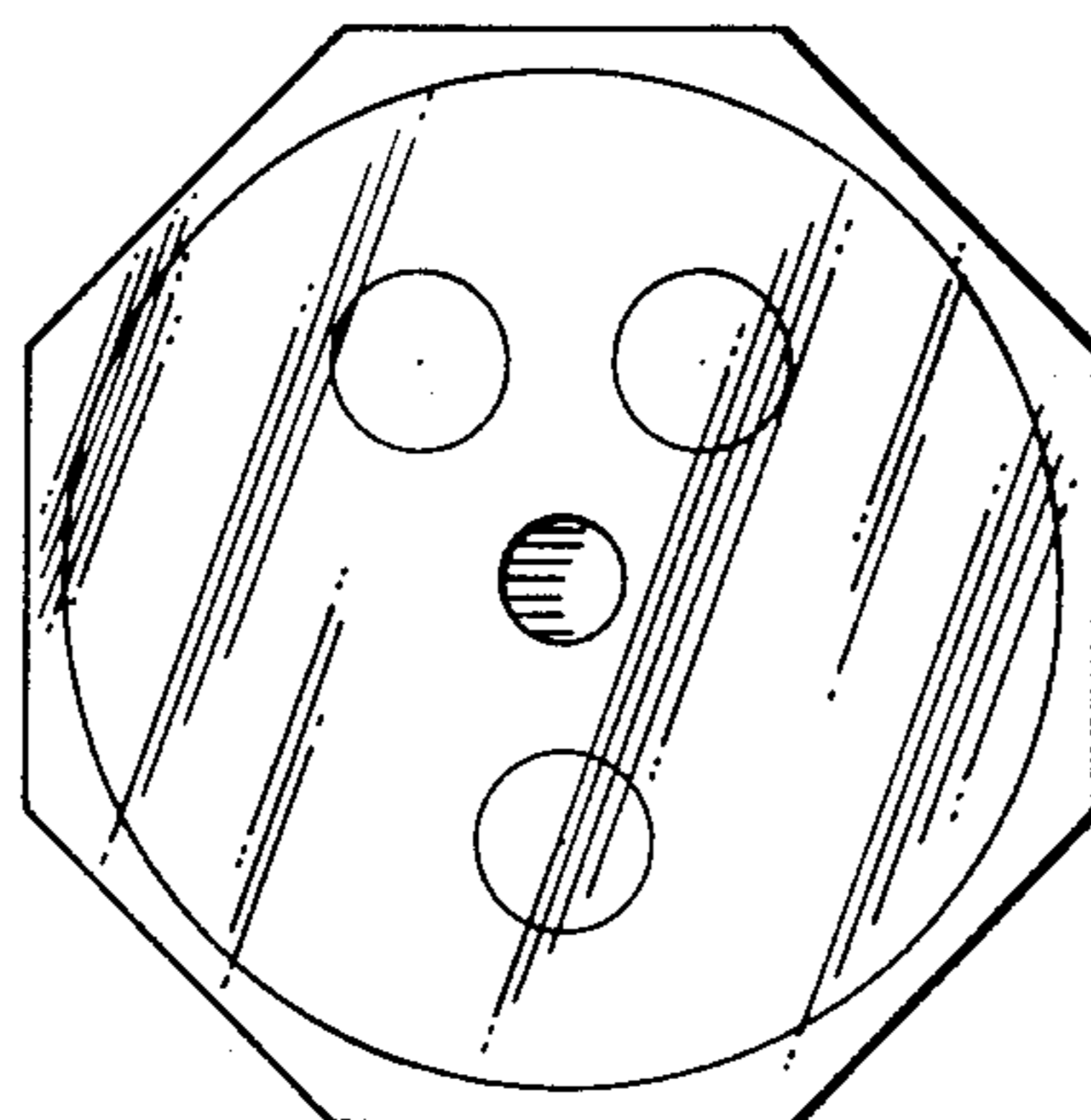


FIG. 9

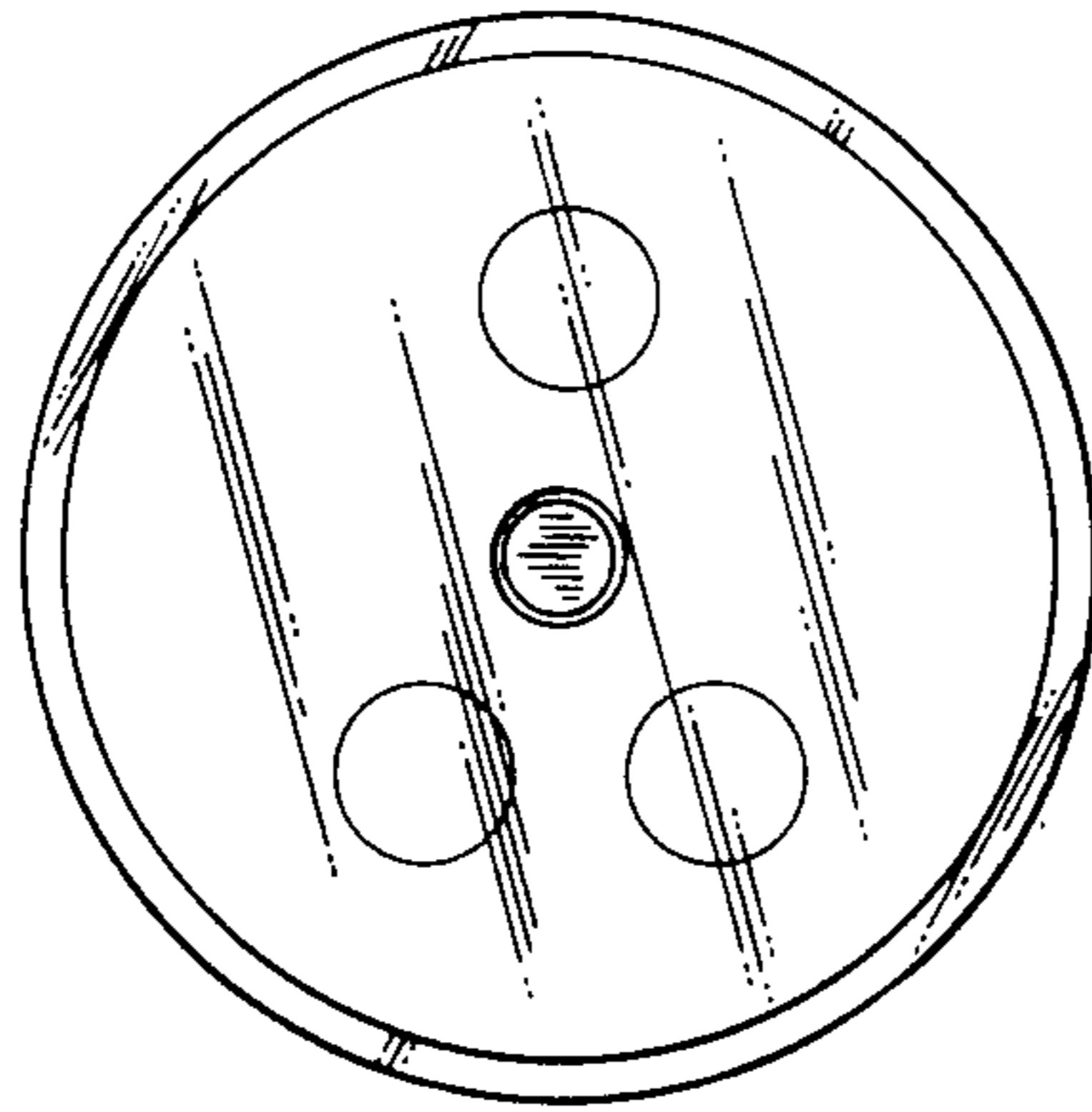


FIG. 10

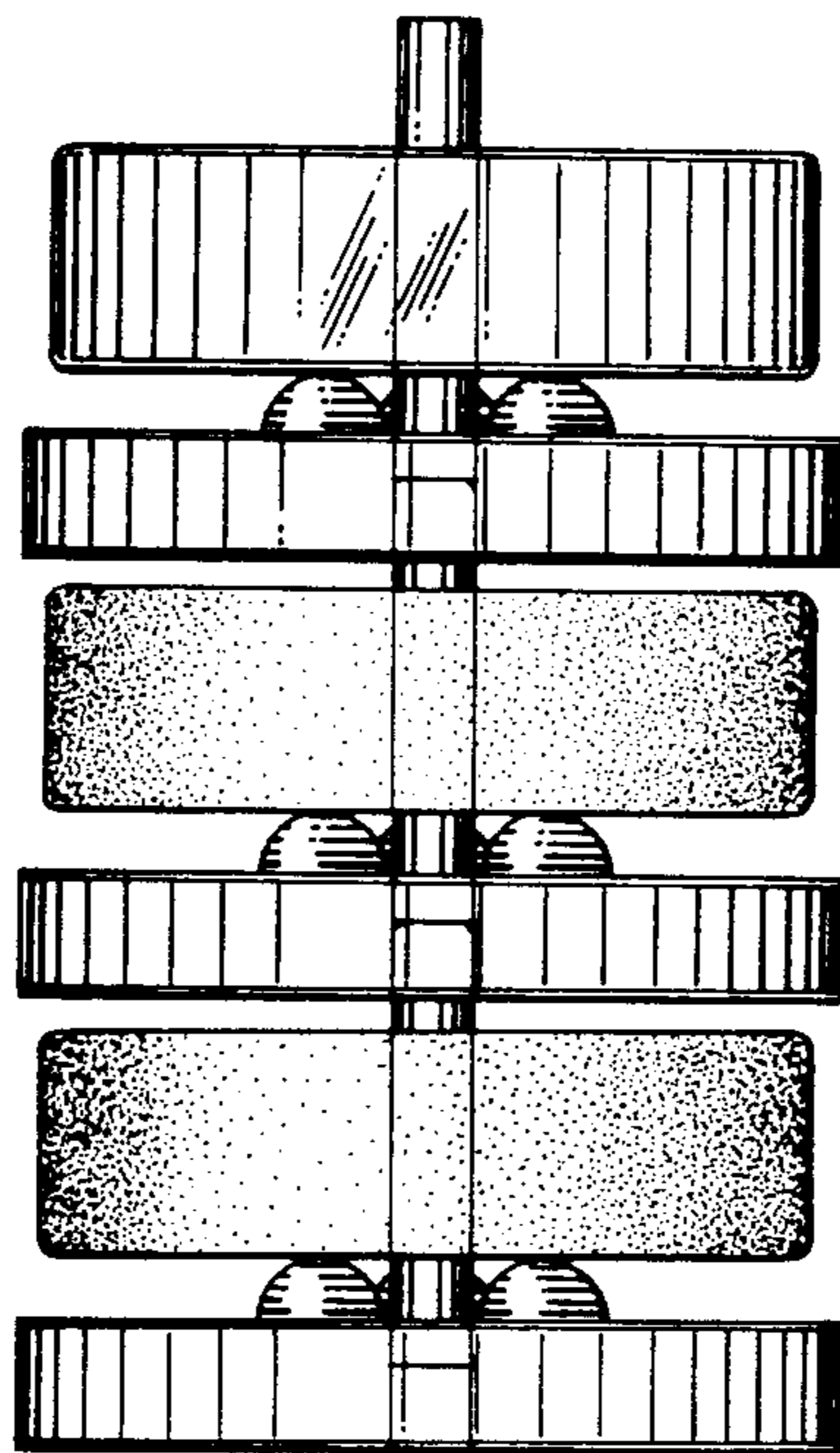


FIG. 11

