

[54] OVERHEAD TRACK LIGHT

[75] Inventor: John A. Tedesco, San Francisco, Calif.

[73] Assignee: The Phoebus Company, Inc.

[\*\*] Term: 14 Years

[21] Appl. No.: 927,023

[22] Filed: Jul. 24, 1978

[51] Int. Cl. .... D26-05

[52] U.S. Cl. .... D26/85

[58] Field of Search ..... 362/217, 220, 222, 223, 362/227, 235, 269, 285, 362, 368, 370, 375, 404, 410; D48/20 K, 20 E

[56] References Cited

U.S. PATENT DOCUMENTS

3,725,695 4/1973 Eversberg et al. .... D48/20 K X

FOREIGN PATENT DOCUMENTS

687609 6/1964 Canada ..... 362/404

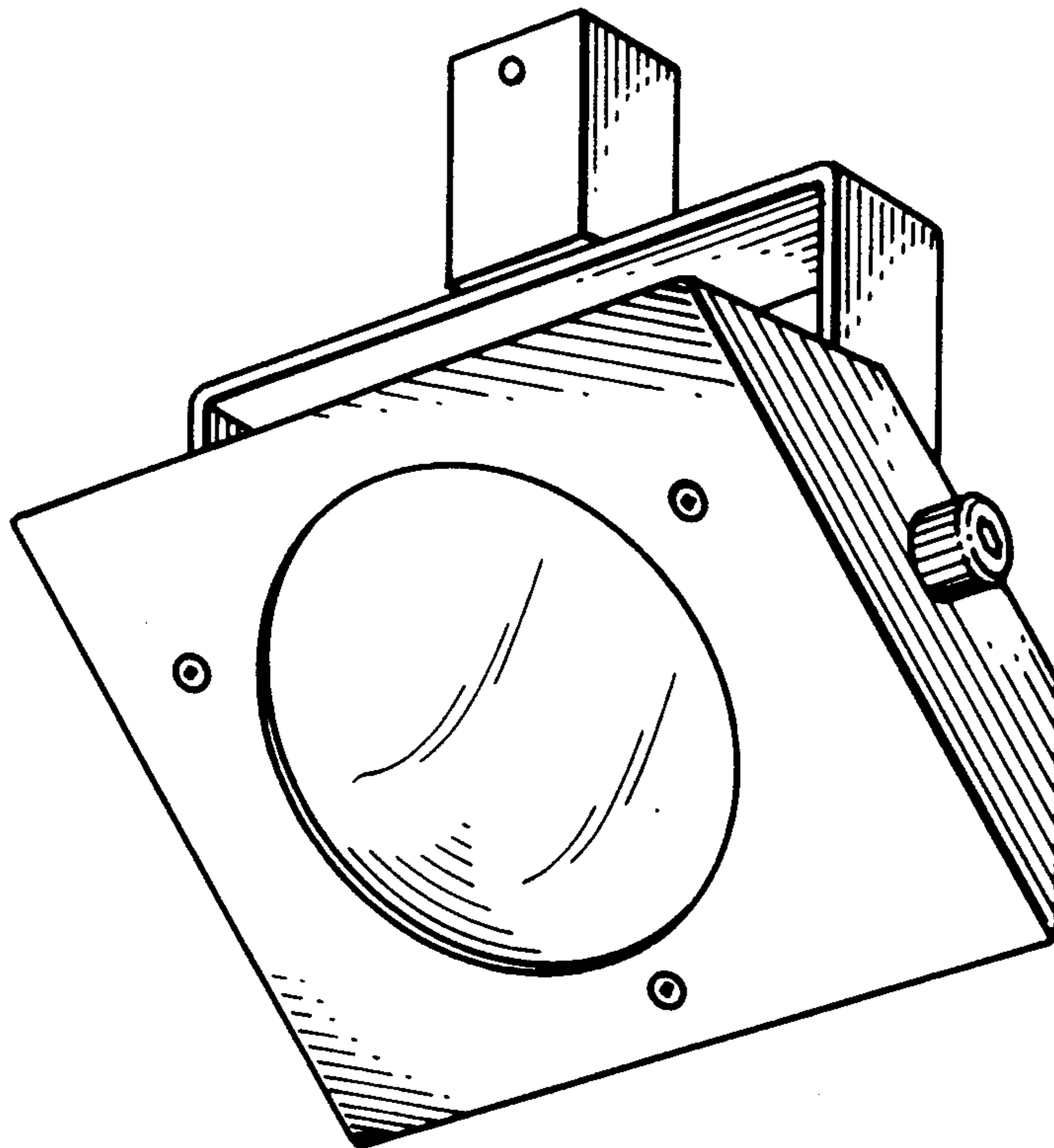
Primary Examiner—Catherine E. Kemper  
Attorney, Agent, or Firm—James F. Mitchell

[57] CLAIM

The ornamental design for an overhead track light, as shown.

DESCRIPTION

FIG. 1 is a perspective view of an overhead track light showing my new design; FIG. 2 is a front elevational view; FIG. 3 is a side elevational view; FIG. 4 is a bottom plan view; and FIG. 5 is a rear view thereof.



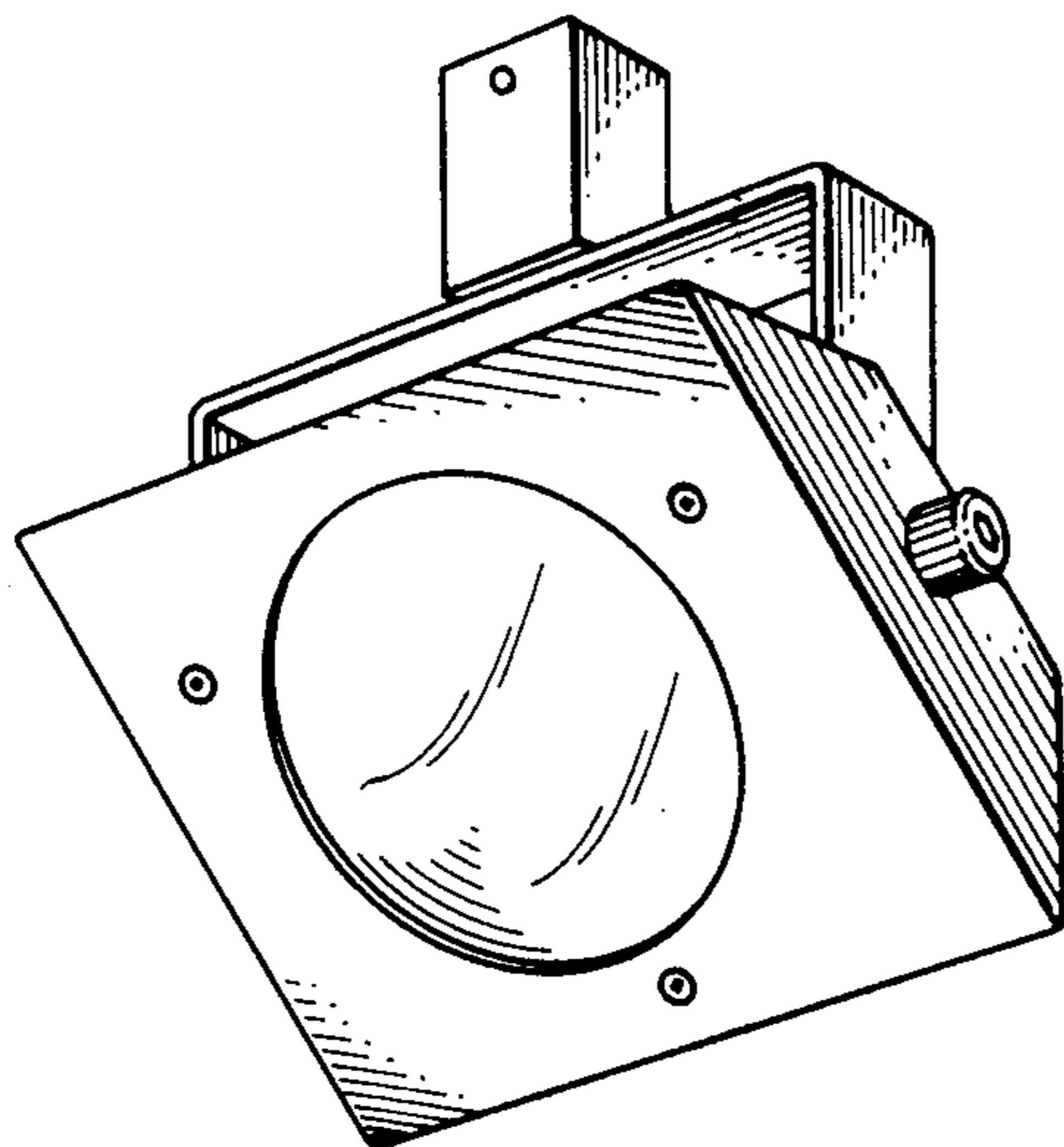


FIG. 1.

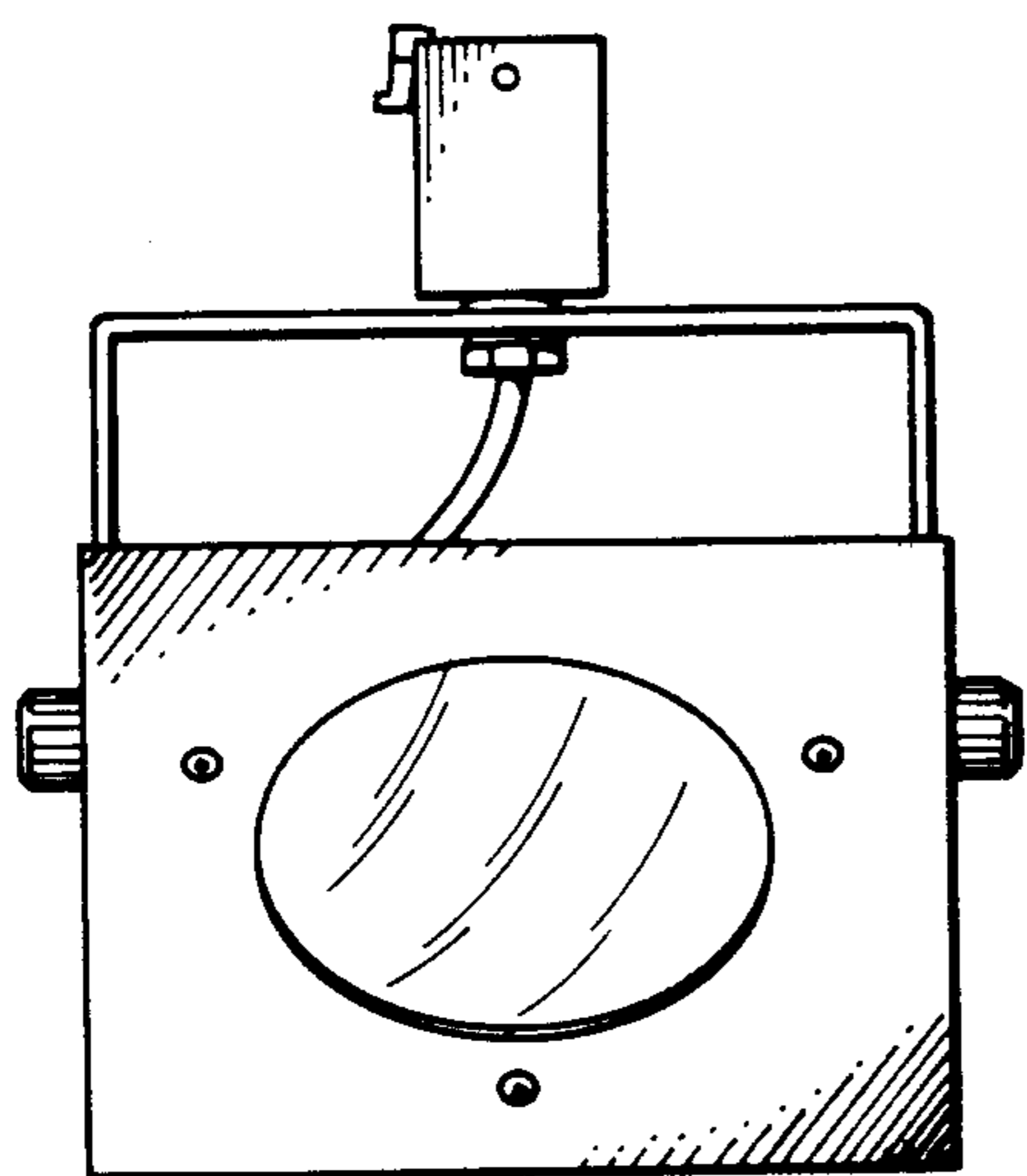


FIG. 2.

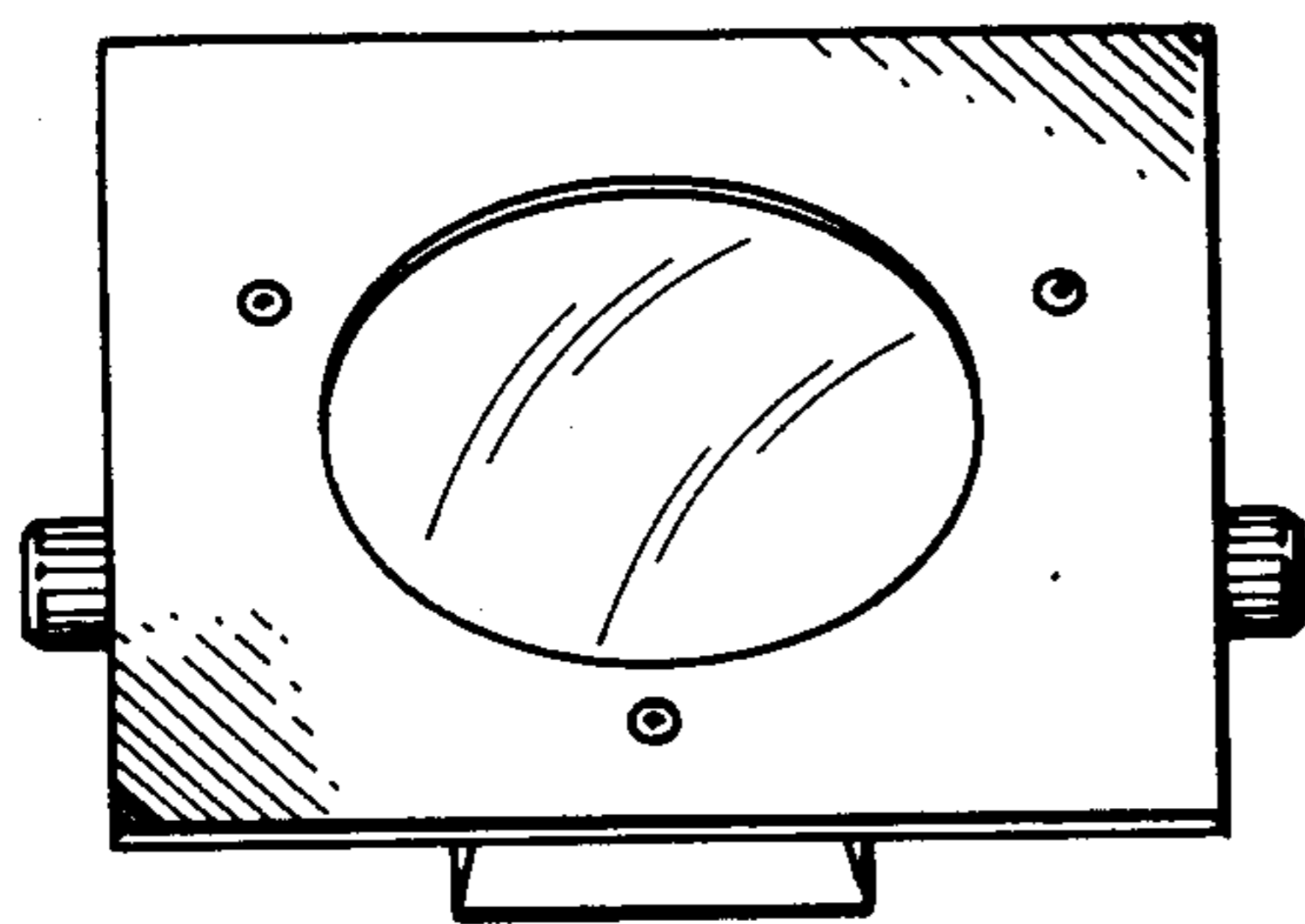


FIG. 4.

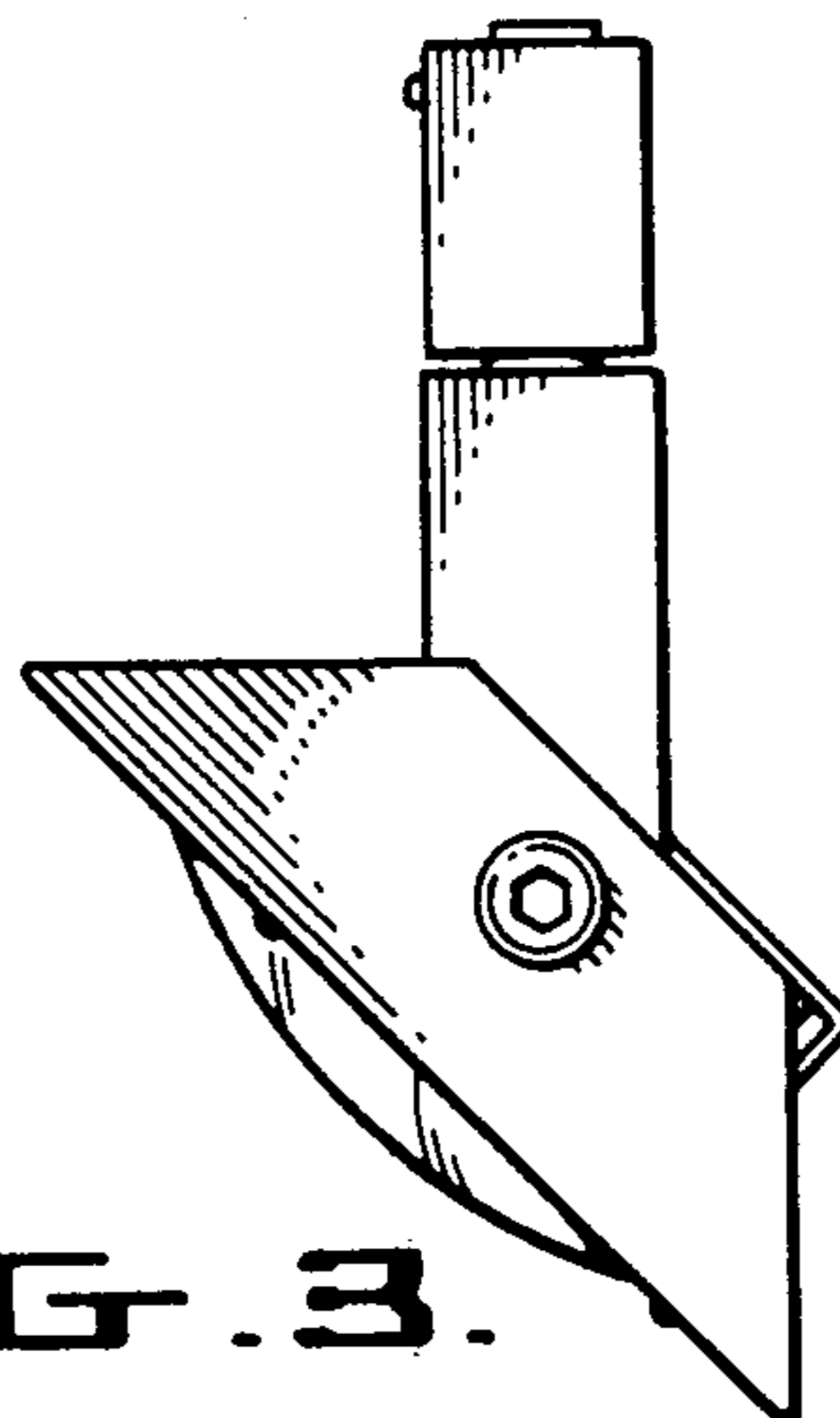


FIG. 3.

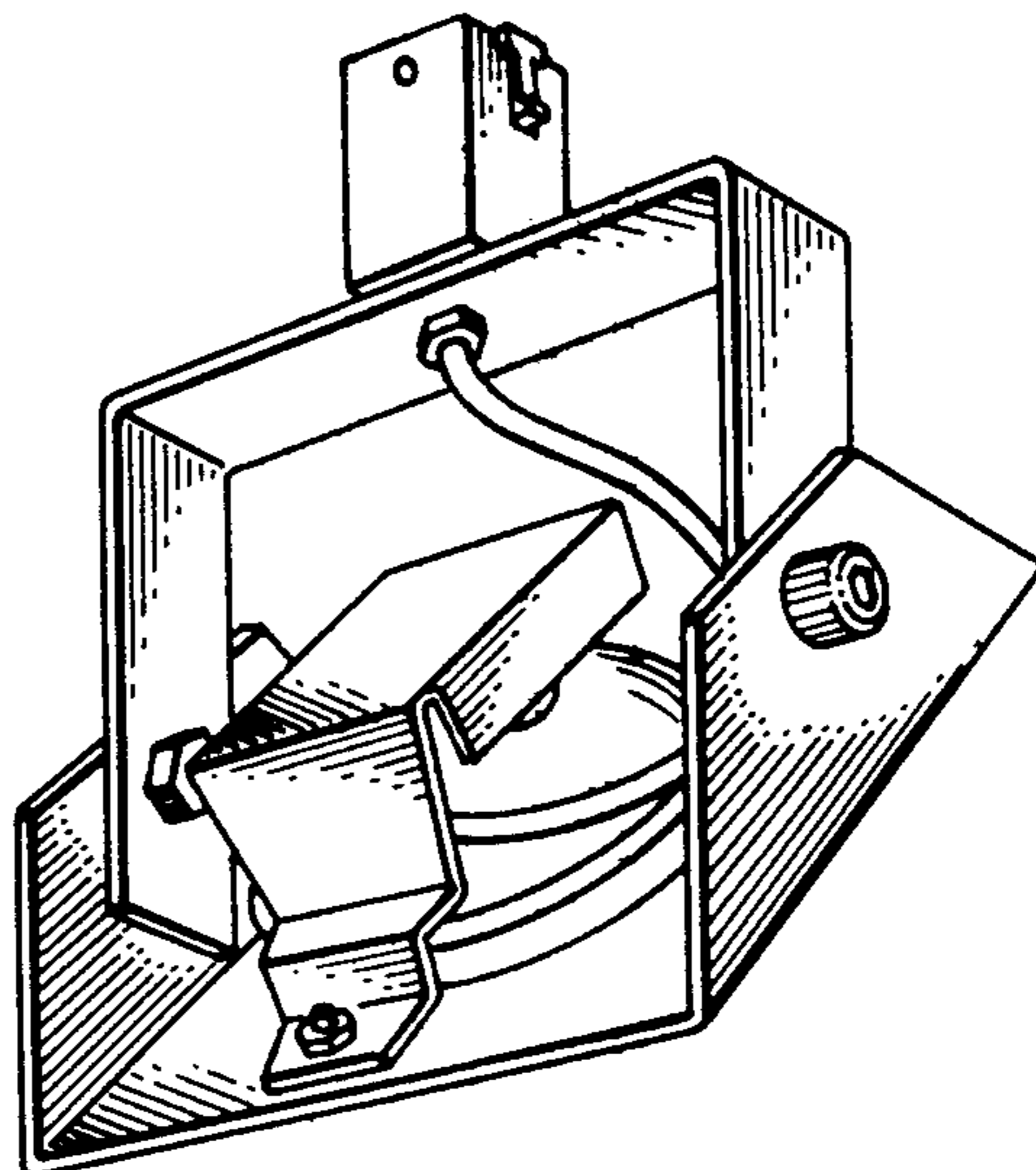


FIG. 5.