

[54] **SAWHORSE**  
 [76] Inventor: William L. Correll, 333 N. Basin St., Ephrata, Wash. 98823  
 [\*\*] Term: 14 Years  
 [21] Appl. No.: 901,266  
 [22] Filed: Apr. 28, 1978  
 [51] Int. Cl. .... D8-99  
 [52] U.S. Cl. .... D25/67  
 [58] Field of Search ..... D25/67; 182/181, 185, 182/186, 153, 155

3,666,047 5/1972 Adnerson ..... 182/185  
 3,741,339 6/1973 Eubank ..... 182/186

**FOREIGN PATENT DOCUMENTS**

762839 12/1956 United Kingdom ..... 182/181

*Primary Examiner*—James M. Gandy  
*Attorney, Agent, or Firm*—Richard W. Seed

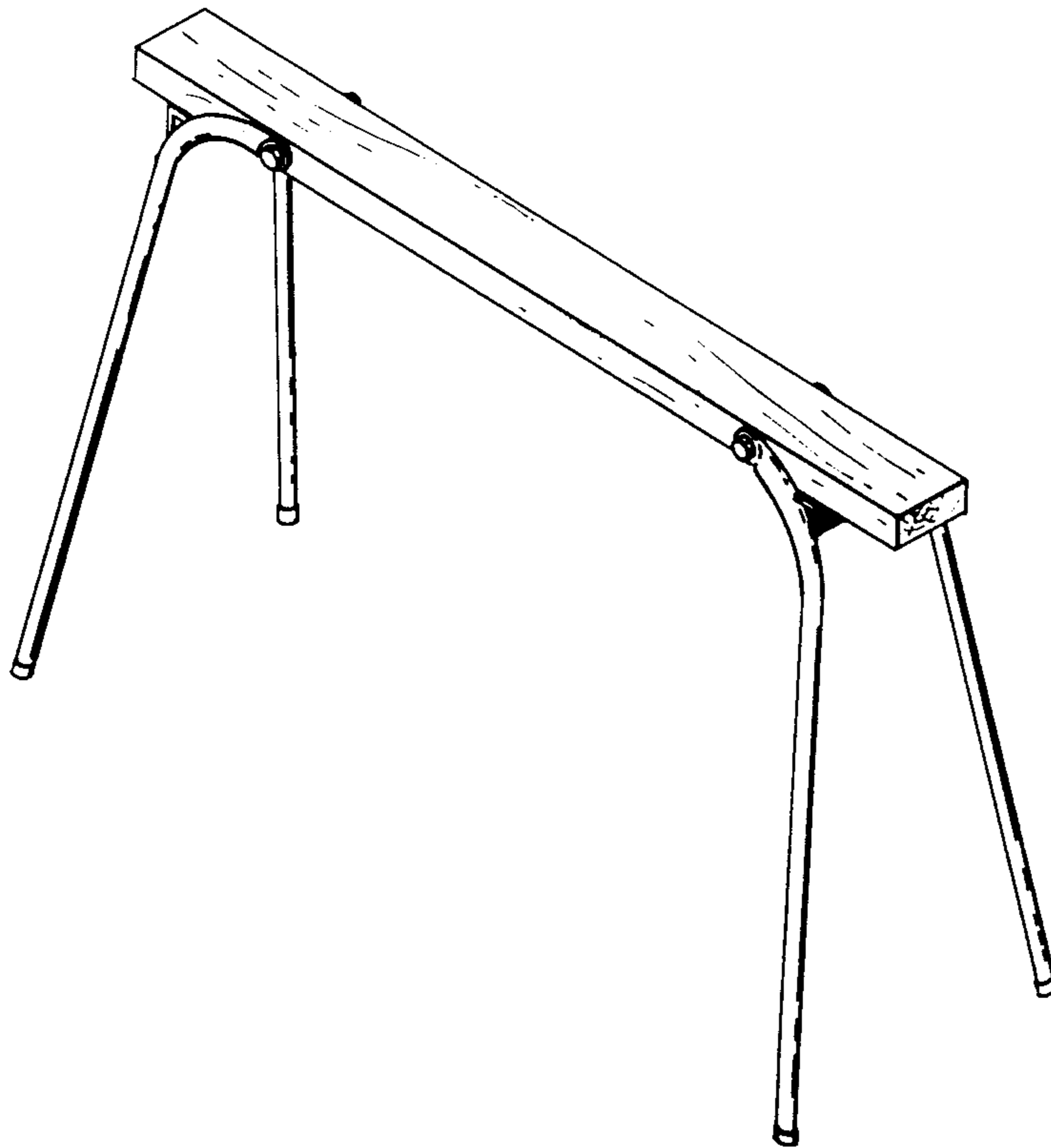
[57] **CLAIM**

The ornamental design for a sawhorse, as shown.

**DESCRIPTION**

FIG. 1 is a top perspective view of a sawhorse showing my new design;  
 FIG. 2 is a bottom perspective view thereof;  
 FIG. 3 is a front elevational view thereof; and  
 FIG. 4 is an end elevational view thereof.

[56] **References Cited**  
**U.S. PATENT DOCUMENTS**  
 2,832,647 4/1958 Gerke ..... D25/67



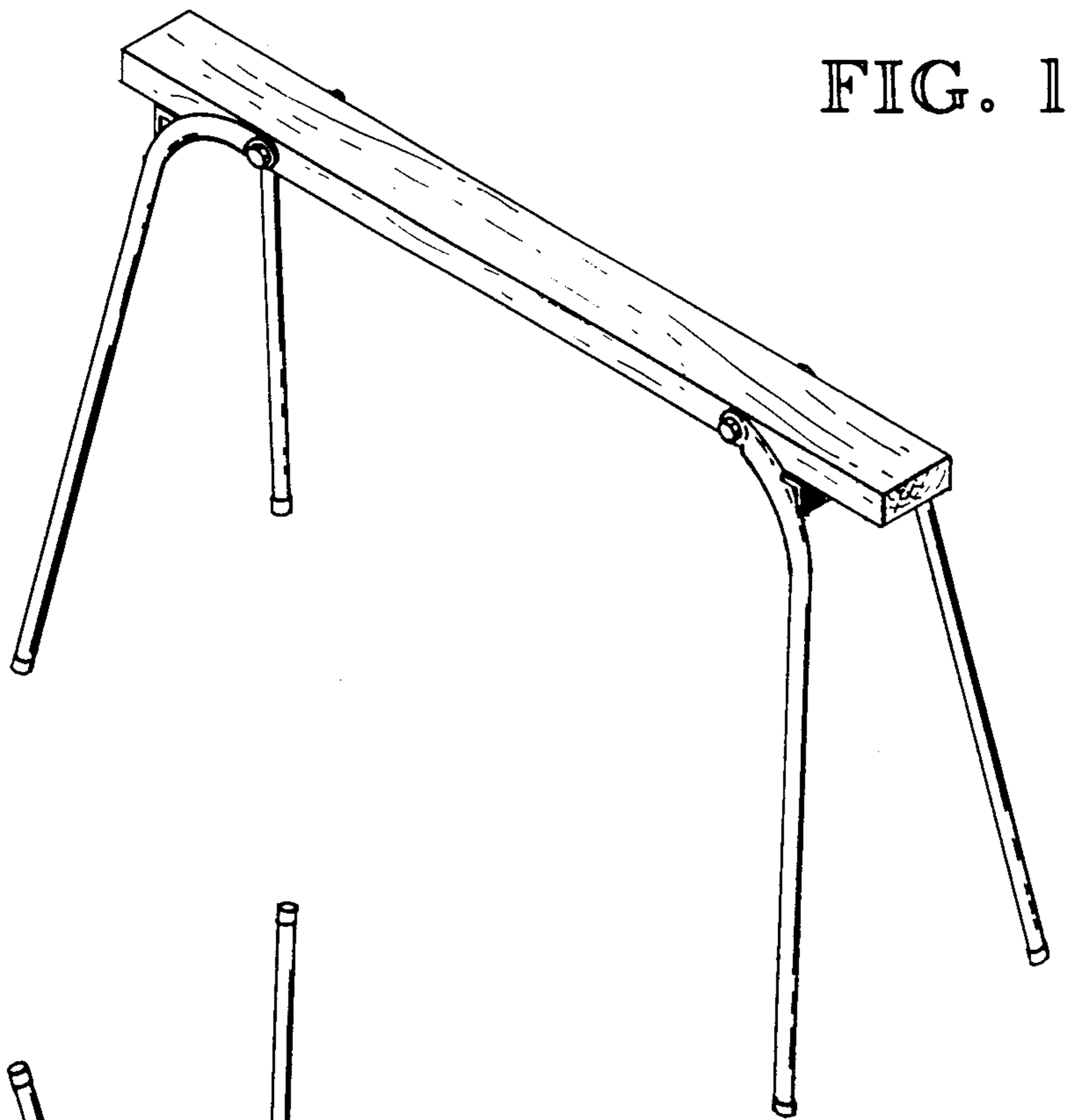


FIG. 1

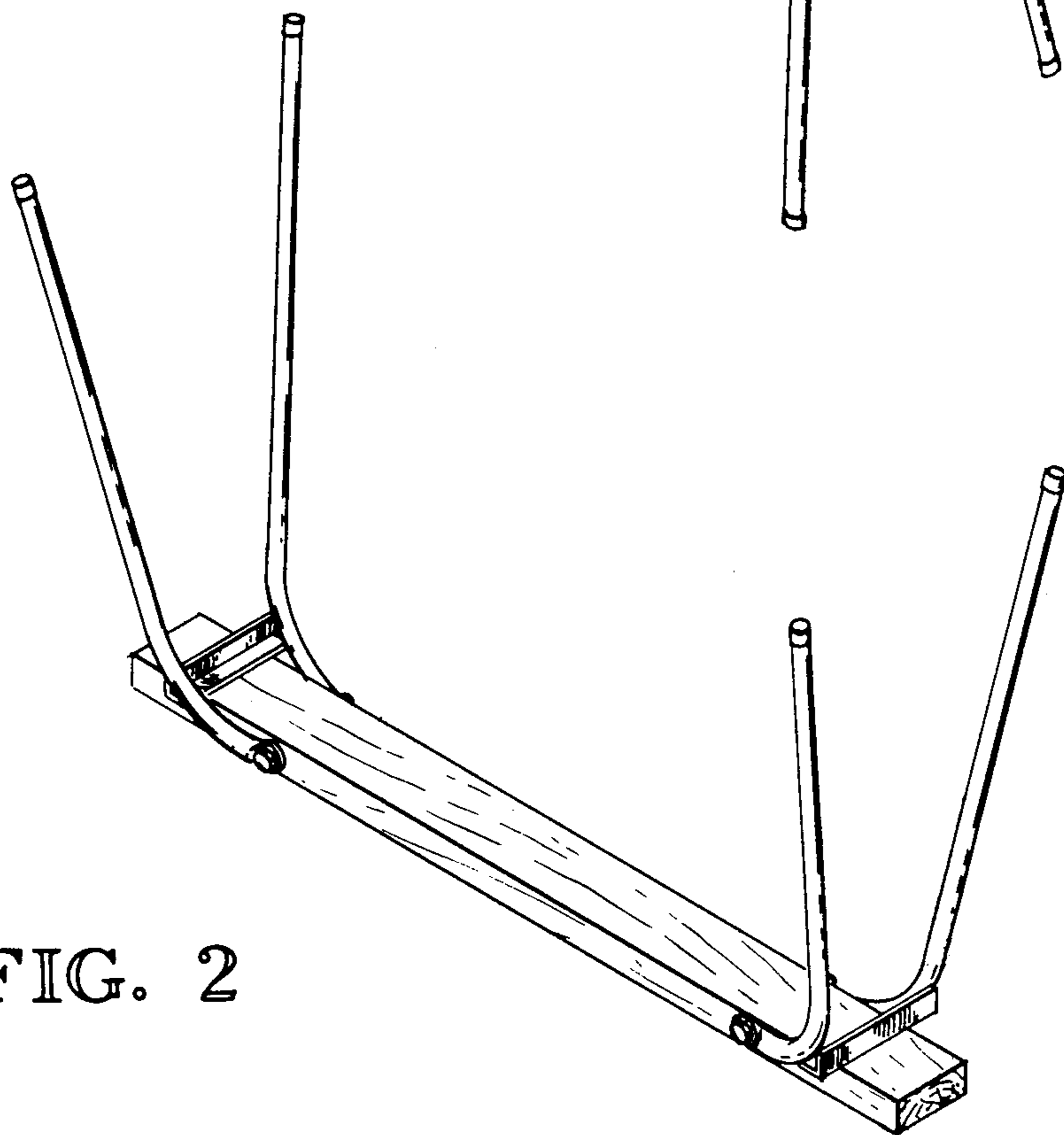


FIG. 2

FIG. 3

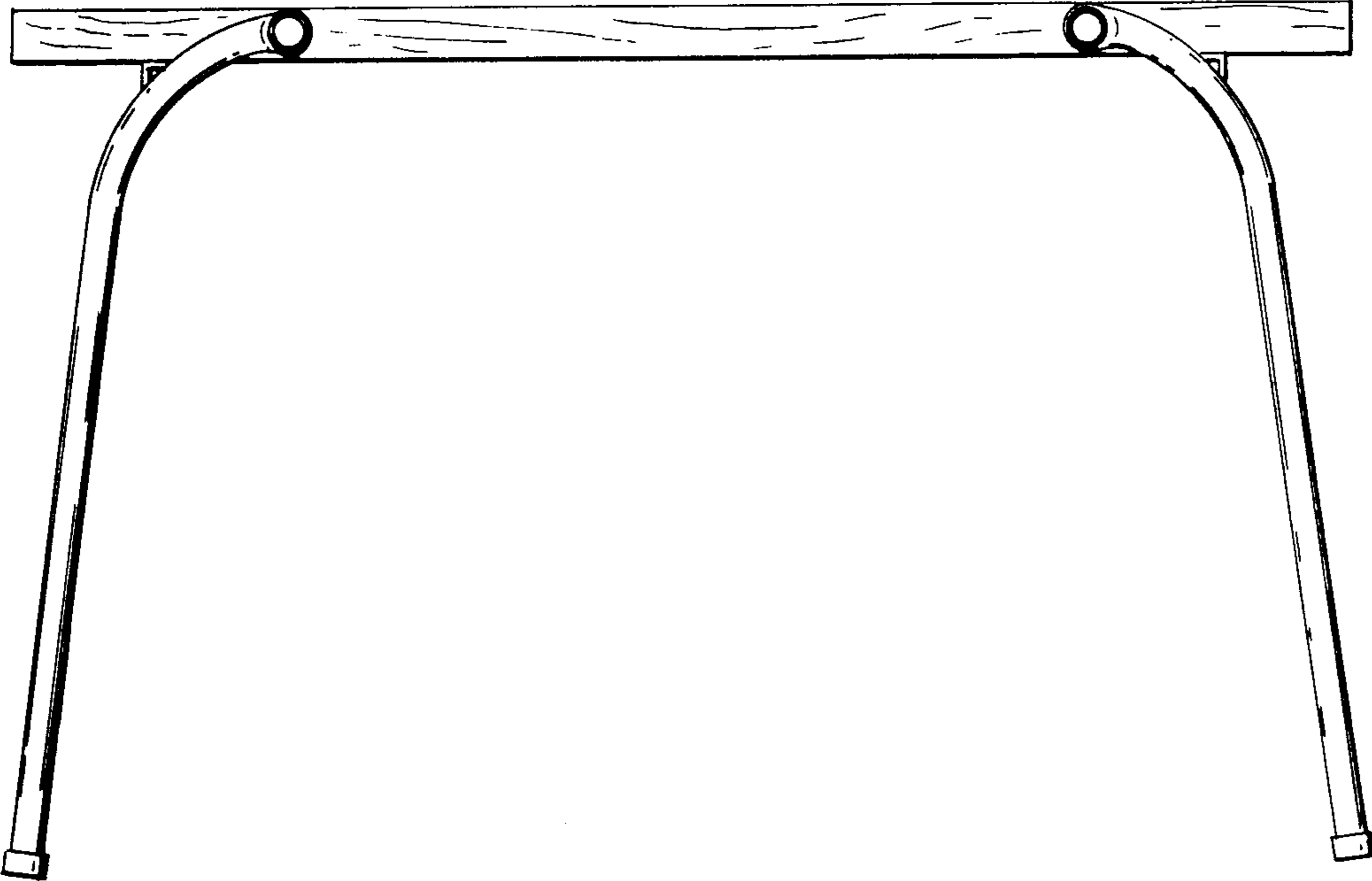


FIG. 4

