

[54] TOILET RISER

[76] Inventor: David B. Bogan, 15587 N. Bank Rd., Roseburg, Oreg. 97470

[\*\*] Term: 3 1/2 Years

[21] Appl. No.: 931,112

[22] Filed: Aug. 4, 1978

[51] Int. Cl. .... D23-02

[52] U.S. Cl. .... D23/69

[58] Field of Search .... D23/48-71; 4/116, 237, 8, 239

[56] References Cited

U.S. PATENT DOCUMENTS

D. 190,555	6/1961	Weidnor	.....	D23/71
D. 245,425	8/1977	Annis	.....	D23/69
2,790,182	4/1957	Malin	.....	4/237
2,980,919	4/1961	Otto et al.	.....	D23/68
3,001,206	9/1961	Strehlke	.....	4/116

3,086,223	4/1963	Guss	.....	4/237
3,389,826	6/1968	Wall	.....	4/116 X
3,435,464	4/1969	Harding	.....	4/116 X
3,675,250	7/1972	Bengtsson	.....	4/116 X

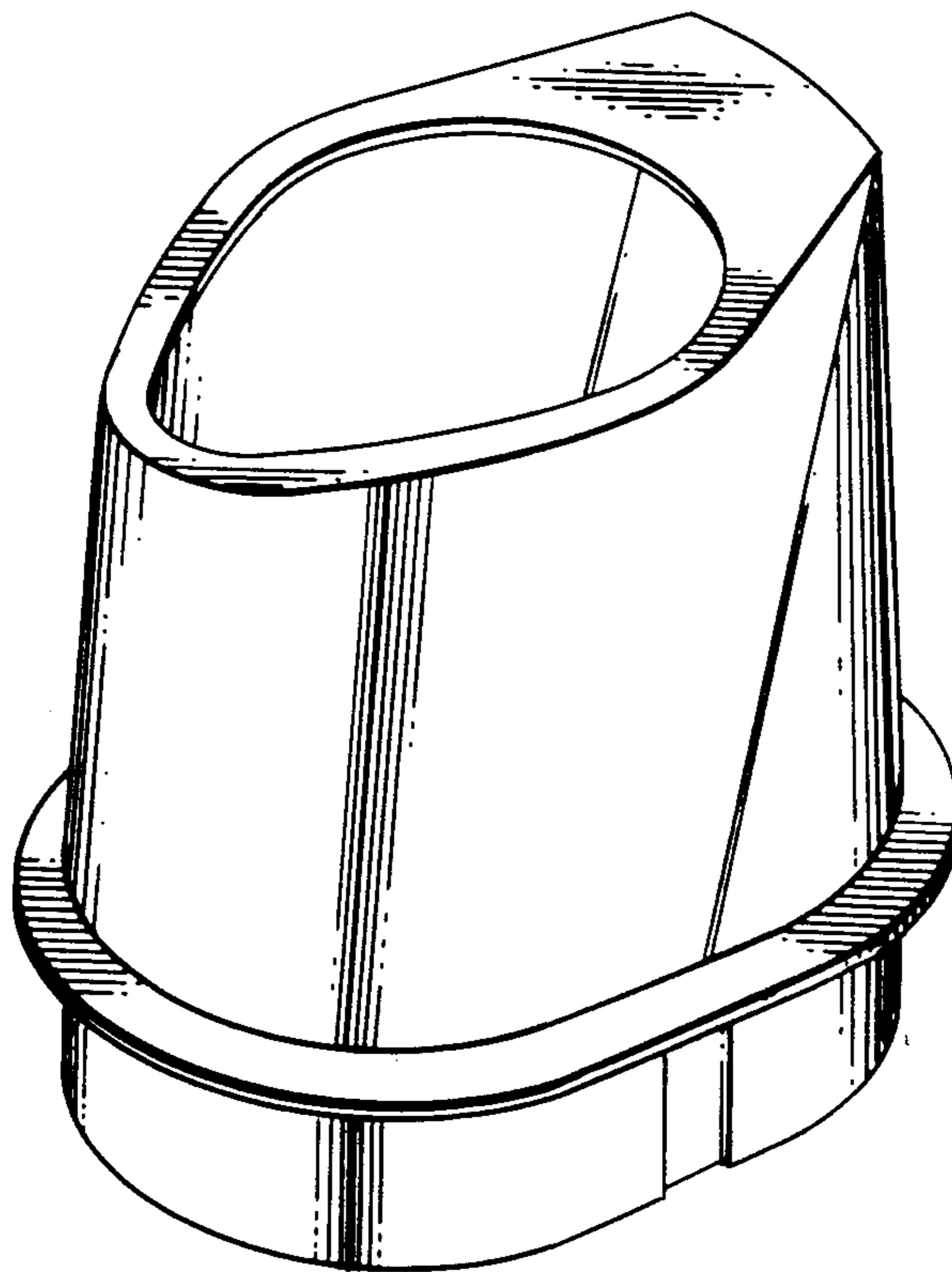
Primary Examiner—James R. Largen  
Attorney, Agent, or Firm—Roger A. Marrs

[57] CLAIM

The ornamental design for toilet riser, substantially as shown.

DESCRIPTION

FIG. 1 is a front perspective view of the toilet riser showing my new design therefore;  
FIG. 2 is a side elevational view thereof;  
FIG. 3 is a rear elevational thereof;  
FIG. 4 is a top plan view thereof;  
FIG. 5 is a front elevational view thereof;  
FIG. 6 is a bottom plan view thereof; and  
FIG. 7 is a cross sectional view taken on line 7-7 of FIG. 4.



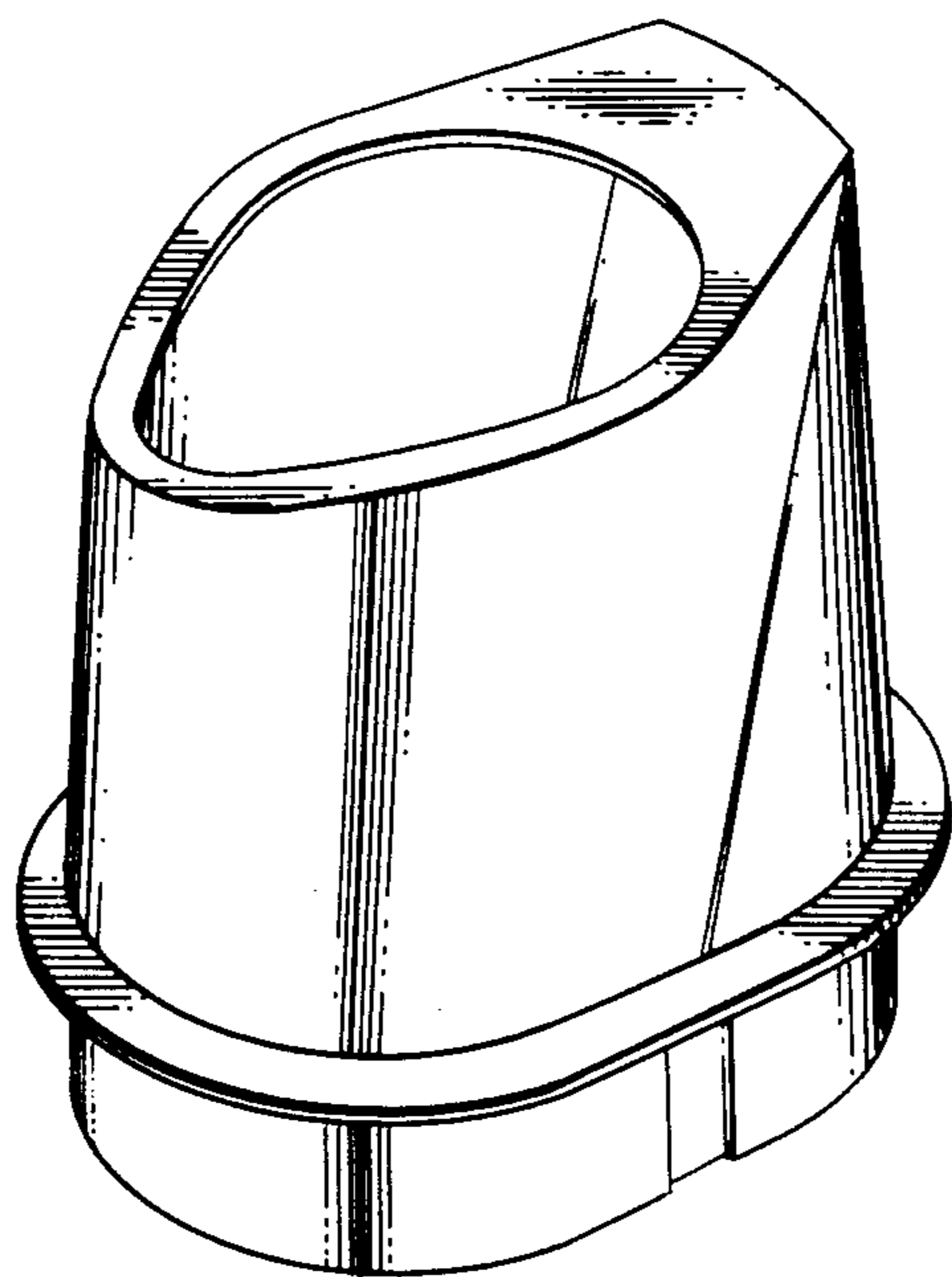


FIG. 1

FIG. 2

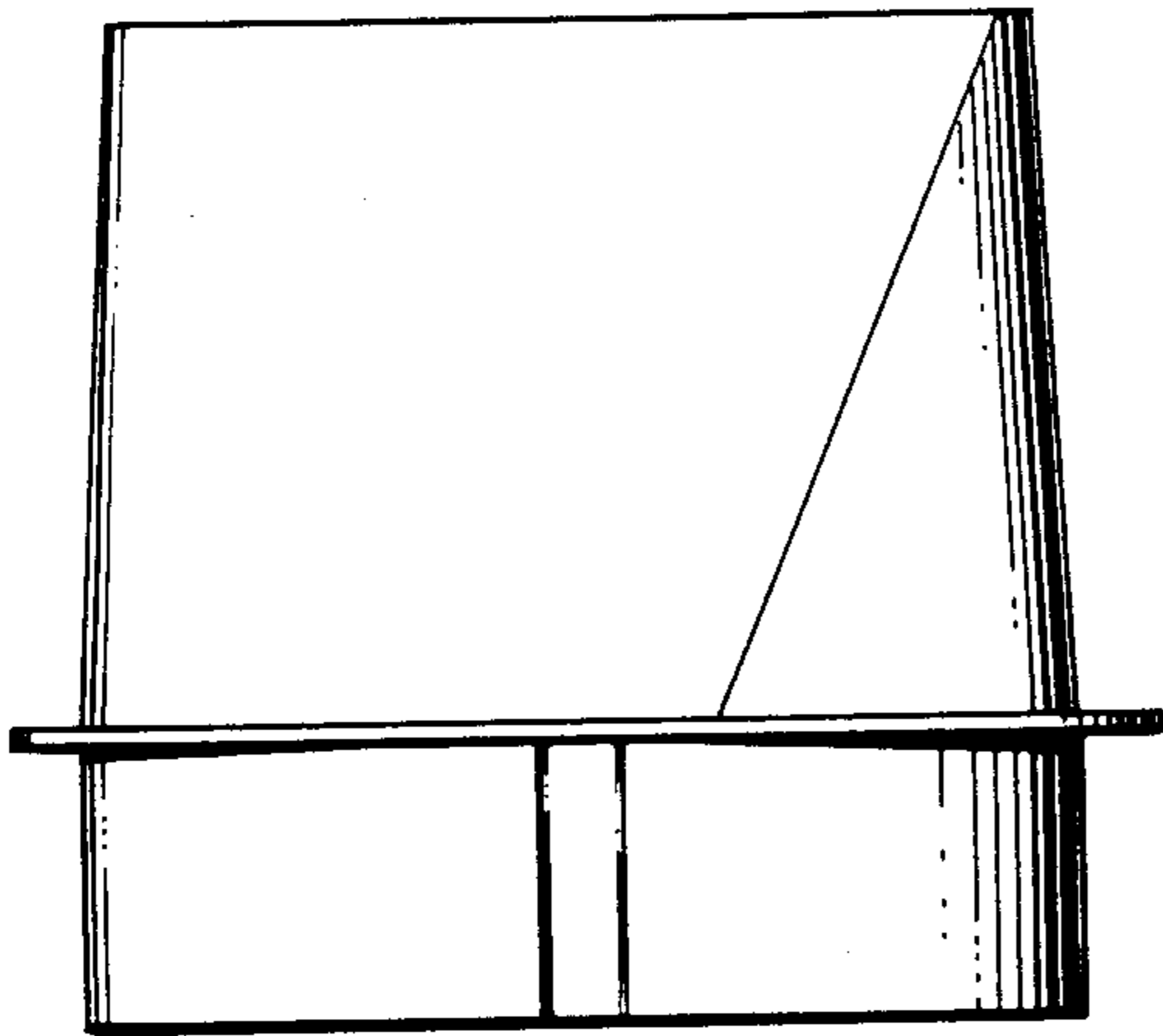


FIG. 3

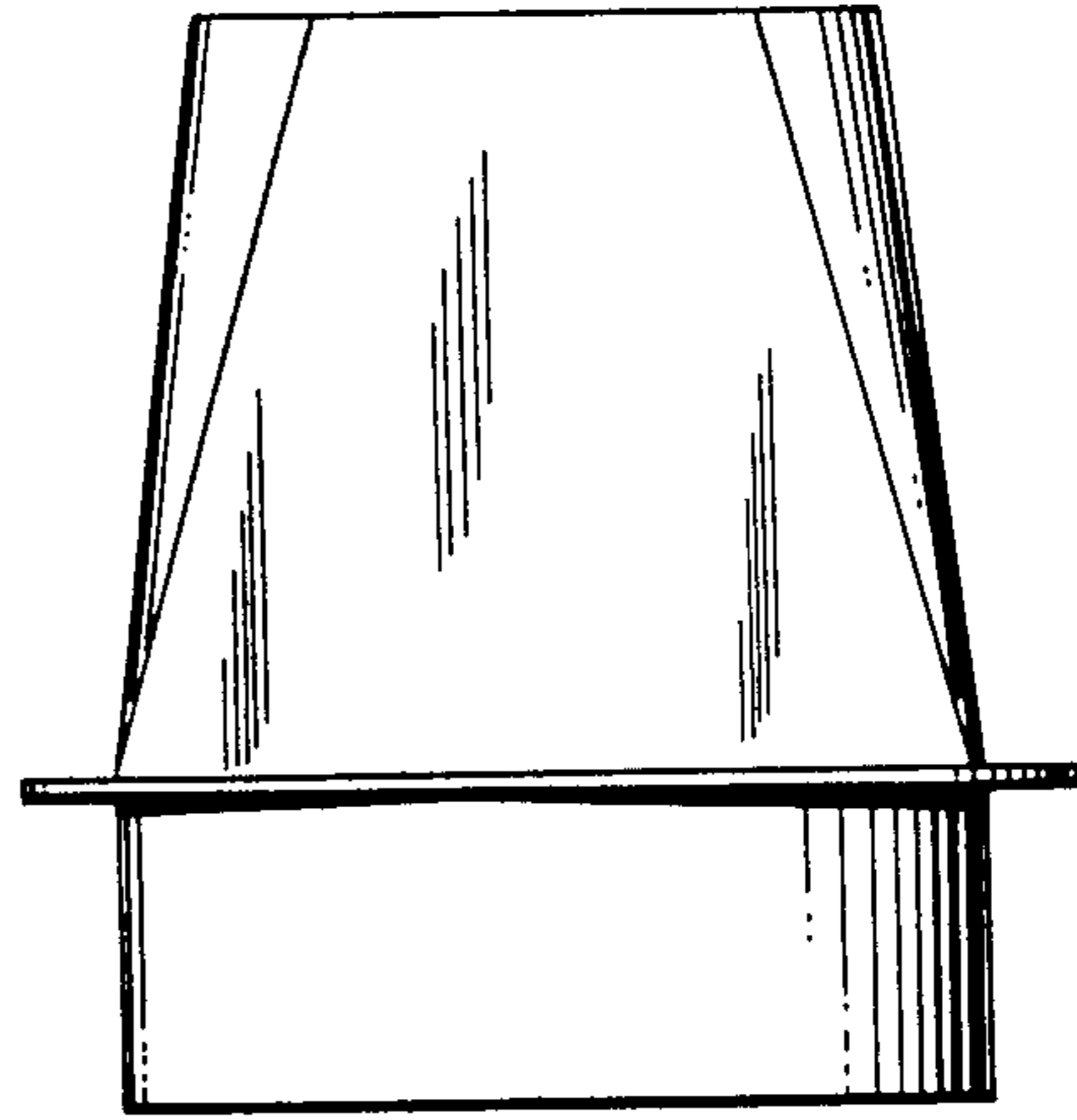


FIG. 4

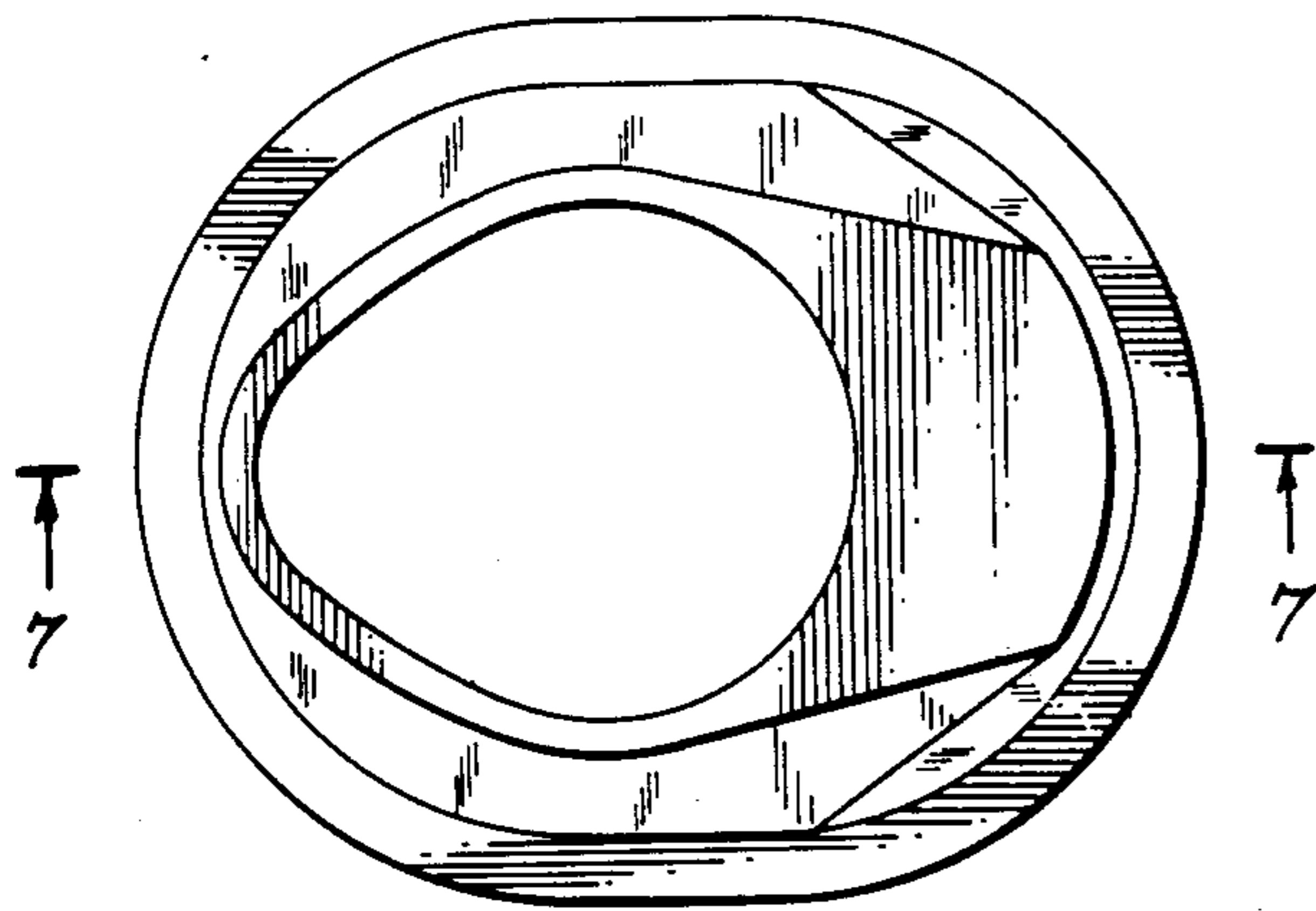


FIG. 5

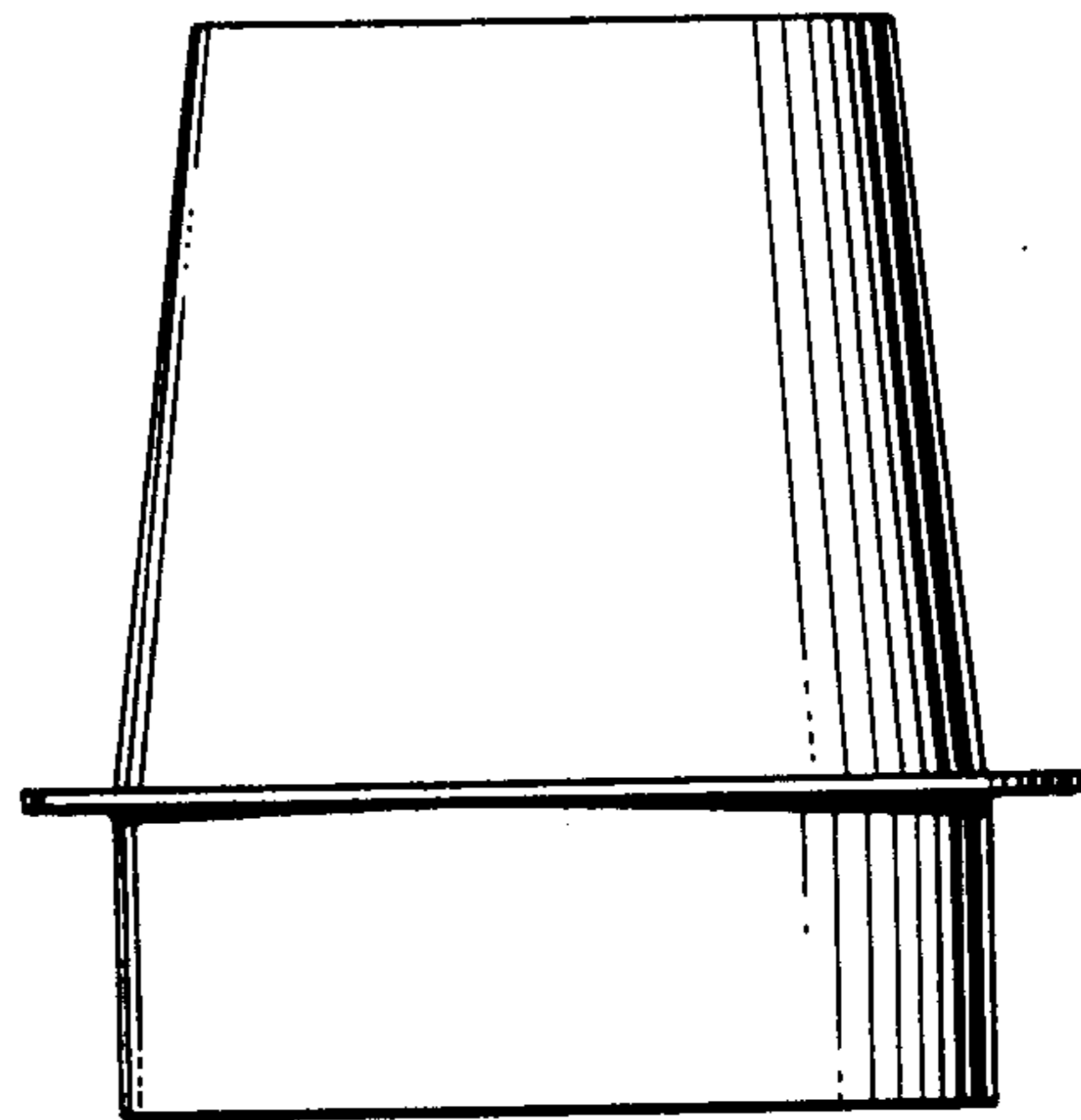


FIG. 6

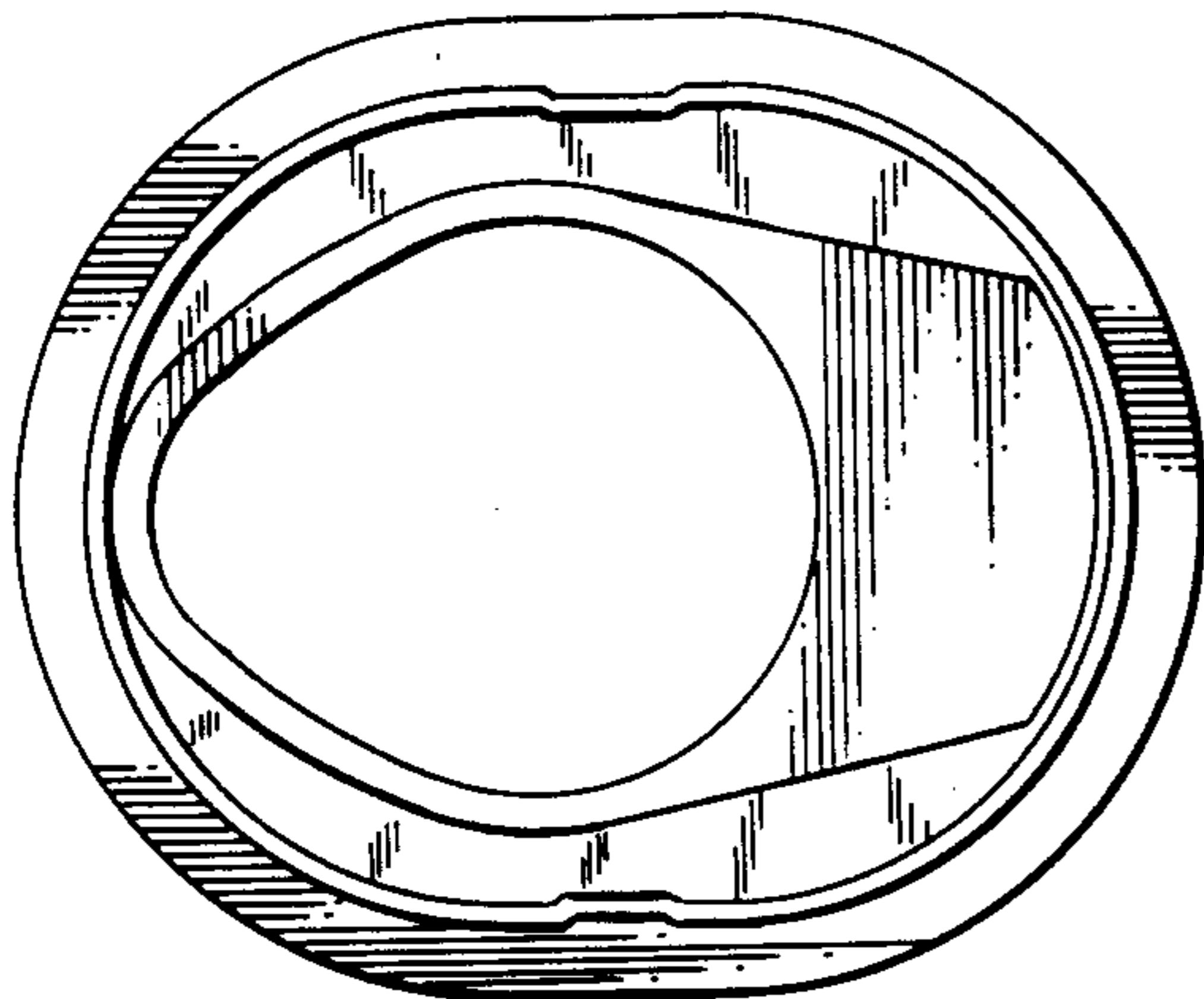


FIG. 7

