

[54] **MODULAR MULTI-COLOR PAINT SELECTION AND SUPPLY SYSTEM MANIFOLD OR THE LIKE**

[75] Inventors: **Robert D. Hetherington**, Sunland;  
**David W. Goelz**, Burbank, both of Calif.

[73] Assignee: **Poly-Glas Systems**

[\*\*] Term: **14 Years**

[21] Appl. No.: **962,355**

[22] Filed: **Nov. 20, 1978**

[51] Int. Cl. .... **D23-01**

[52] U.S. Cl. .... **D23/40; D23/19**

[58] Field of Search ..... **D23/19-22, D23/40-47; 137/240, 883, 884, 887**

[56] **References Cited**

**U.S. PATENT DOCUMENTS**

D. 233,753	11/1974	Gryen	.....	D23/19
D. 234,979	4/1975	Miller	.....	D23/20 X
3,234,963	2/1966	Lyon	.....	137/884

3,348,774	10/1967	Wiggins	.....	239/124 X
3,373,762	3/1968	Korchak	.....	137/240
3,403,700	10/1968	Meynell	.....	251/288 X
3,443,578	5/1969	Hedin	.....	137/240
3,572,366	3/1971	Wiggins	.....	137/240
3,596,686	8/1971	Adams	.....	137/240
3,648,717	3/1972	Wiggins	.....	137/240
3,674,205	7/1972	Koek	.....	137/240 X

*Primary Examiner*—James R. Largen  
*Attorney, Agent, or Firm*—Warren T. Jessup

[57] **CLAIM**

The ornamental design for a modular multi-color paint selection and supply system manifold or the like, substantially as shown and described.

**DESCRIPTION**

FIG. 1 is a perspective view of a modular multi-color paint selection and supply system manifold showing a new design.

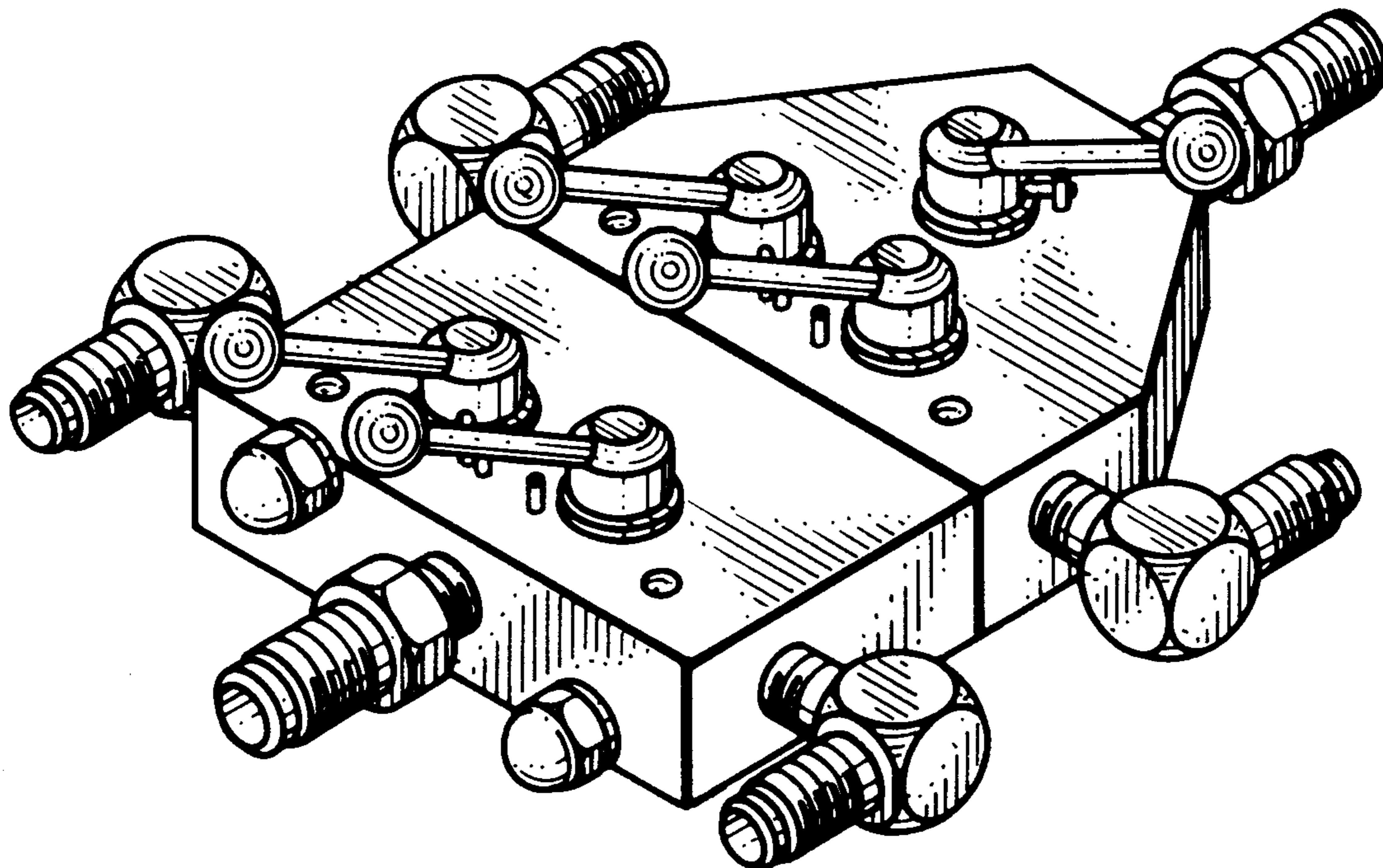
FIG. 2 is a front elevational view thereof.

FIG. 3 is a left side elevational view thereof.

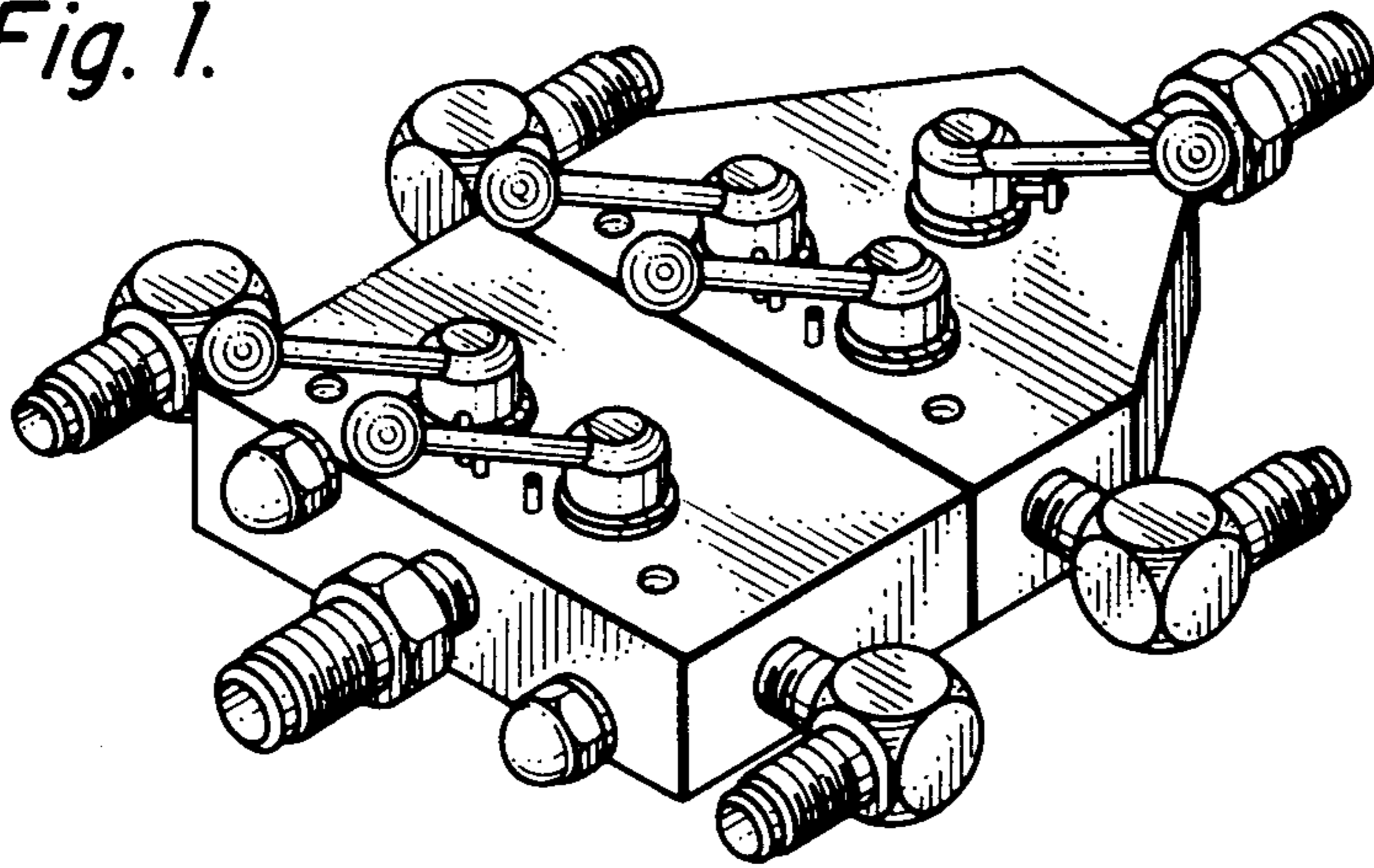
FIG. 4 is a rear elevational view thereof.

FIG. 5 is a top plan view thereof.

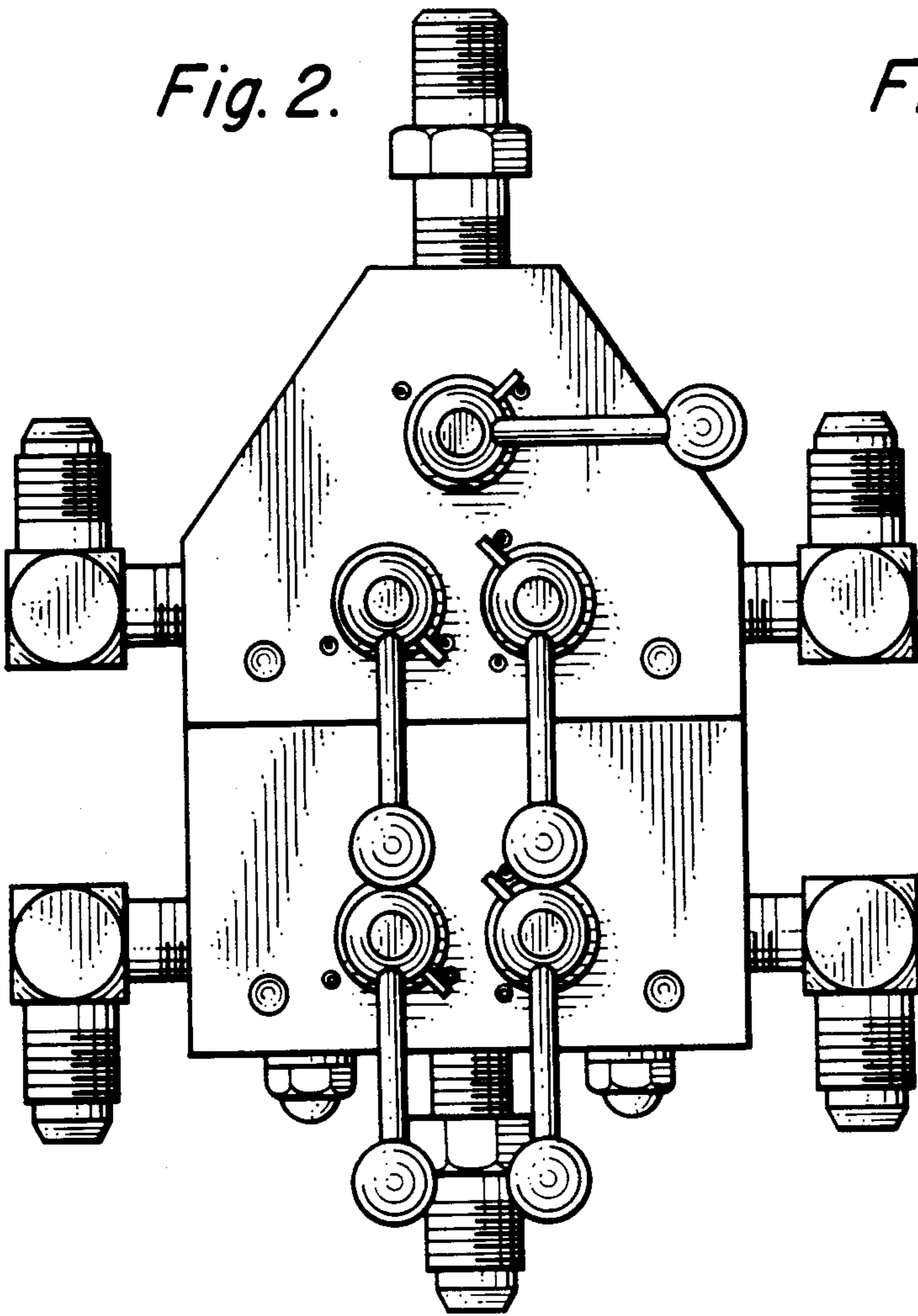
FIG. 6 is a bottom plan view thereof.



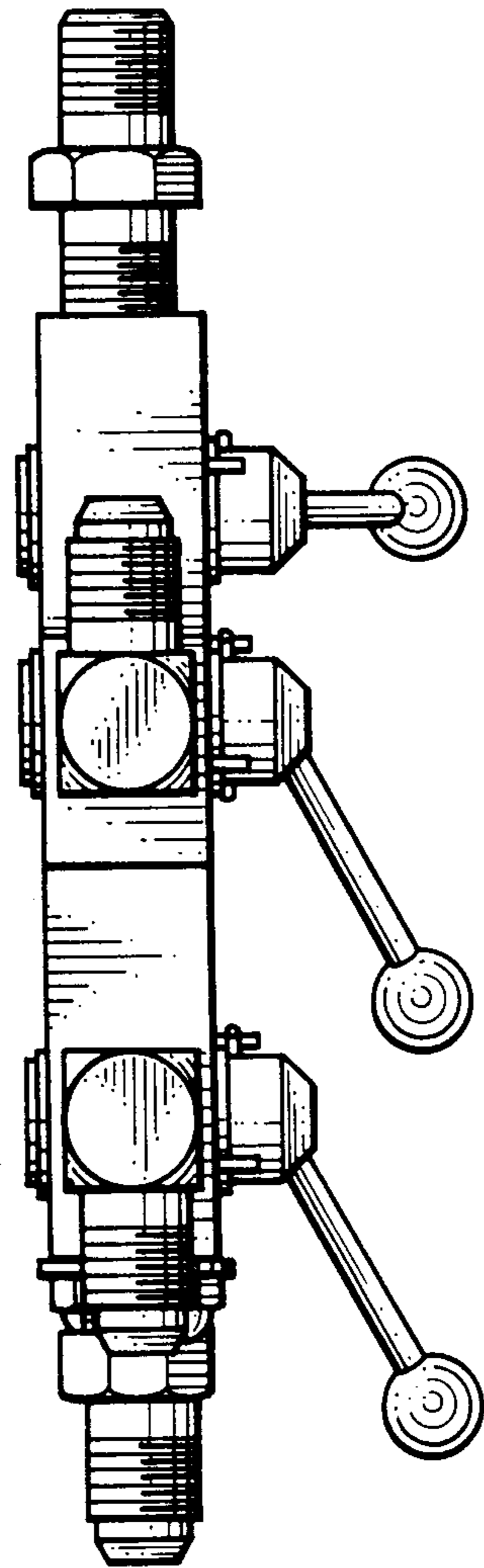
*Fig. 1.*



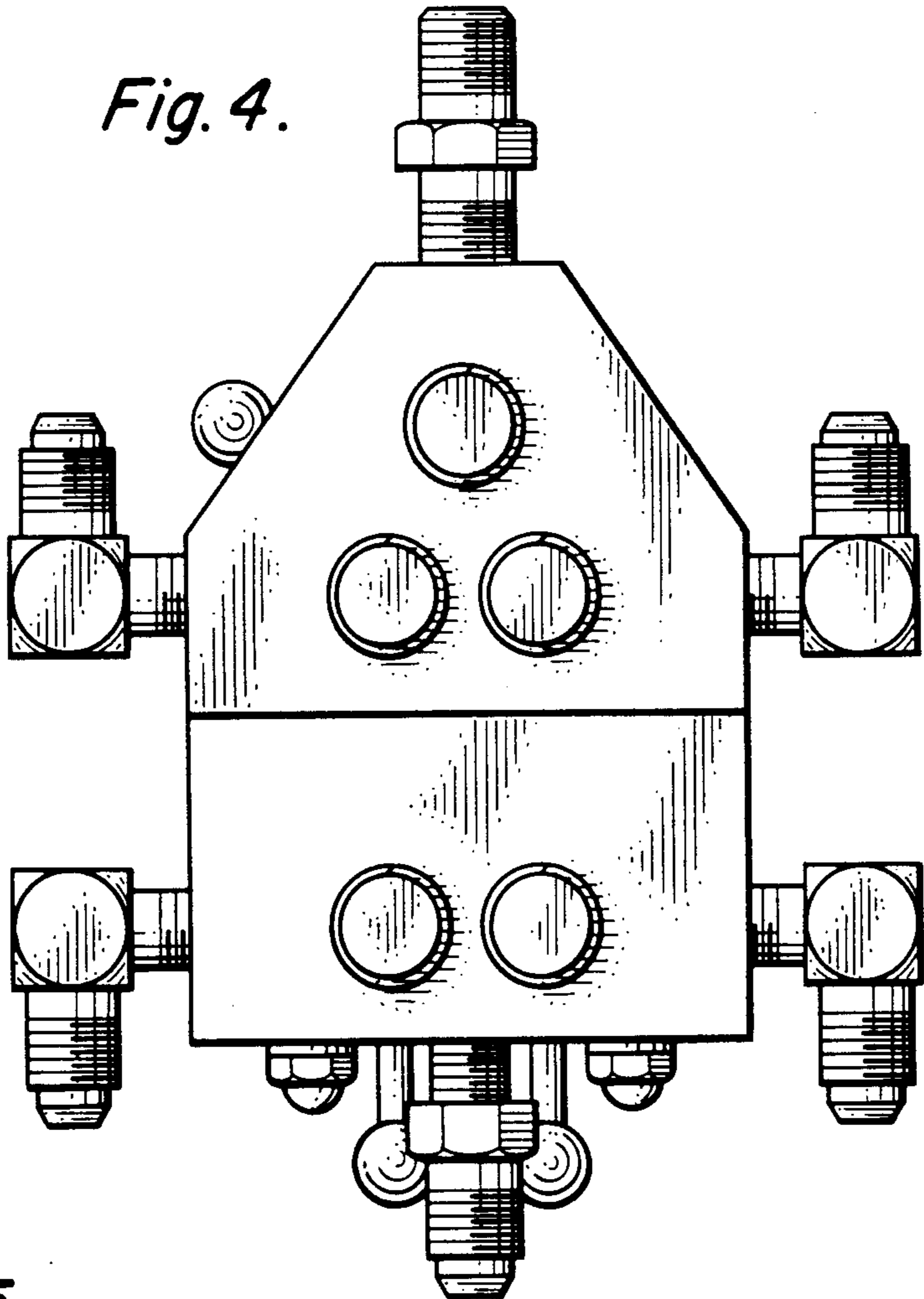
*Fig. 2.*



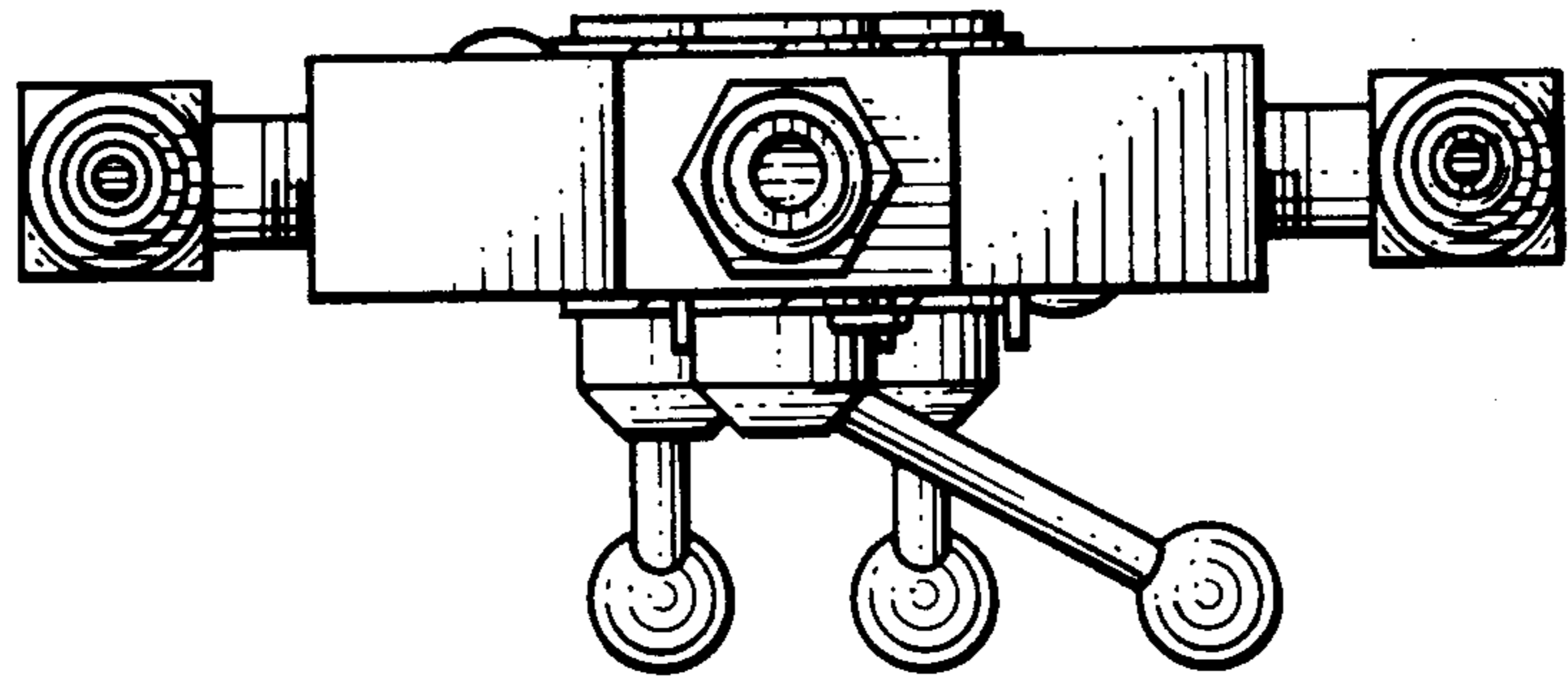
*Fig. 3.*



*Fig. 4.*



*Fig. 5.*



*Fig. 6.*

