

[54] TOY VEHICLE OR SIMILAR ARTICLE

[76] Inventors: **John R. Nottingham**, 2997 Washington Blvd., Cleveland Heights, Ohio 44118; **John W. Spirk, Jr.**, 2533 Euclid Heights Blvd., Cleveland Heights, Ohio 44106

[\*\*] Term: **14 Years**

[21] Appl. No.: **962,298**

[22] Filed: **Nov. 20, 1978**

[51] Int. Cl. .... **D21-01**

[52] U.S. Cl. .... **D21/80**

[58] Field of Search ..... **D21/76, 78, 79, 80, D21/128, 137, 71; 280/1.11 R, 1.202, 1.208, 200, 481, 87.01; D12/108, 112, 113**

[56] **References Cited**

**U.S. PATENT DOCUMENTS**

D. 48,957	4/1916	White .....	D21/80
D. 59,598	11/1921	Juthe .....	D21/80
D. 92,529	6/1934	Ewing .....	280/1.13
D. 138,525	8/1944	Silkman .....	D21/80
D. 229,079	11/1973	Boyle .....	D21/80

*Primary Examiner*—Charles A. Rademaker  
*Attorney, Agent, or Firm*—J. Herman Yount, Jr.

[57] **CLAIM**

The ornamental design for a toy vehicle or similar article, as shown.

**DESCRIPTION**

FIG. 1 is a perspective view of a toy vehicle or similar article showing our new design;  
FIG. 2 is a front elevational view thereof;  
FIG. 3 is a rear elevational view thereof;  
FIG. 4 is a side elevational view thereof; and  
FIG. 5 is a top plan view thereof.

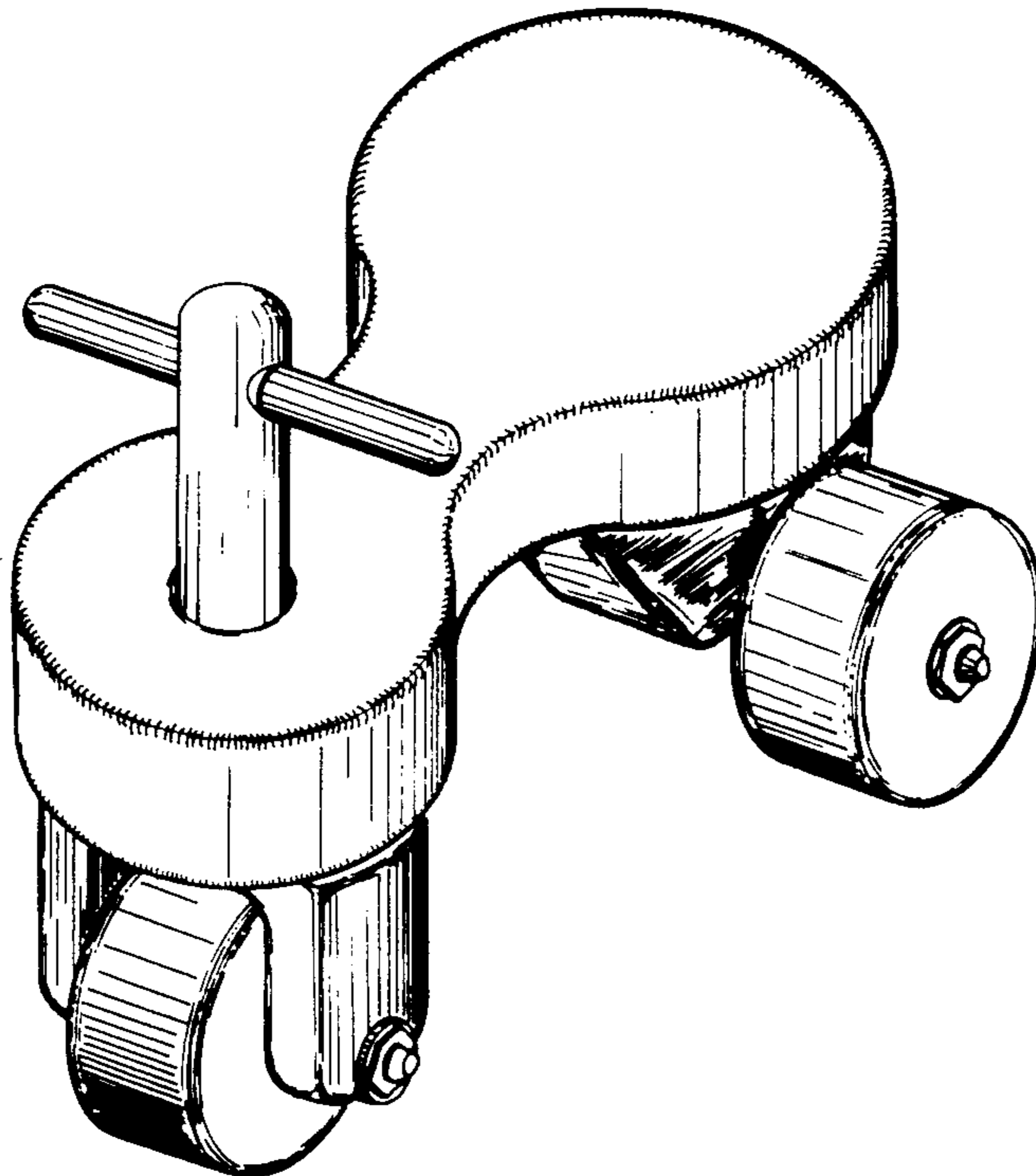
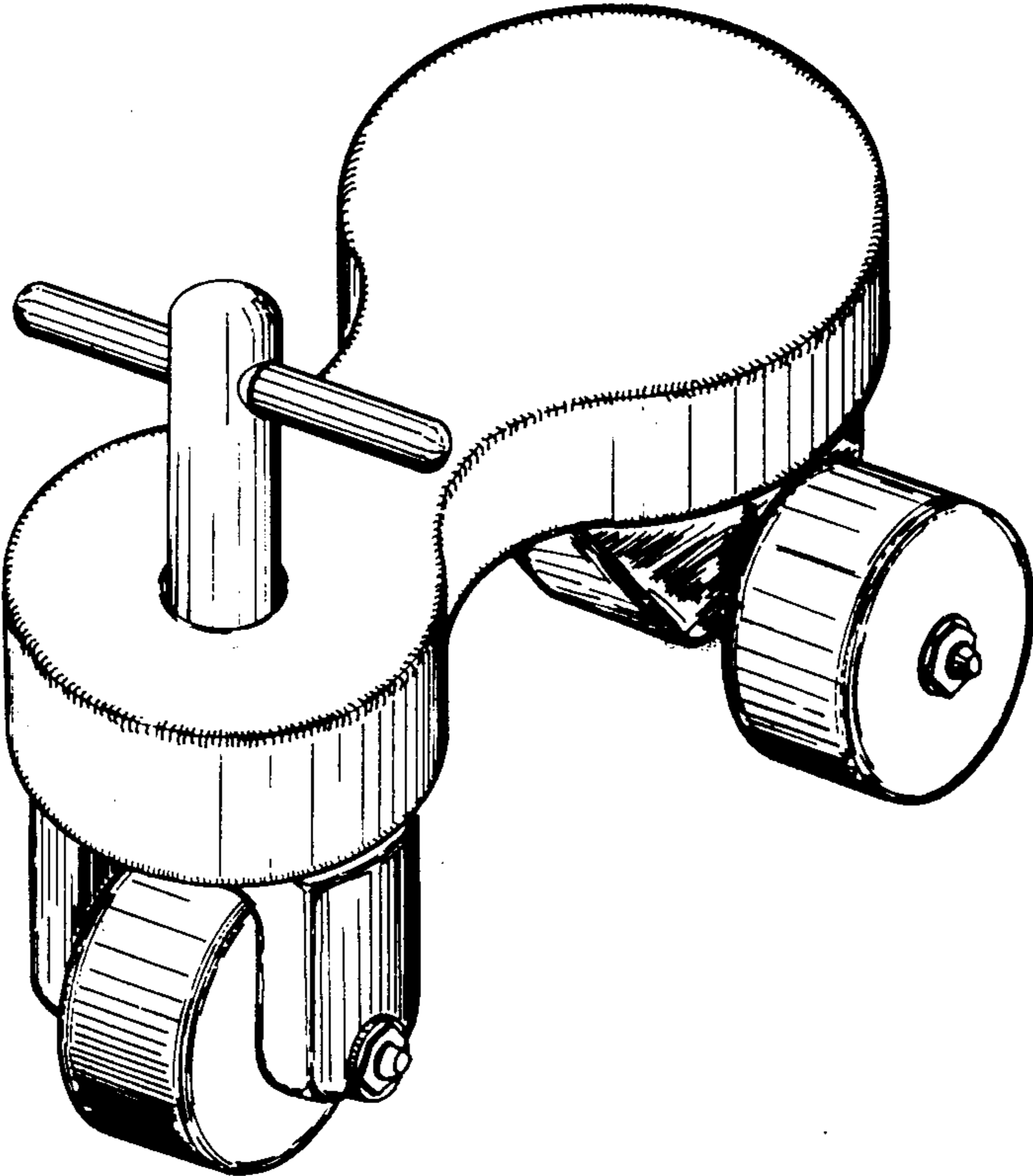


FIG. 1



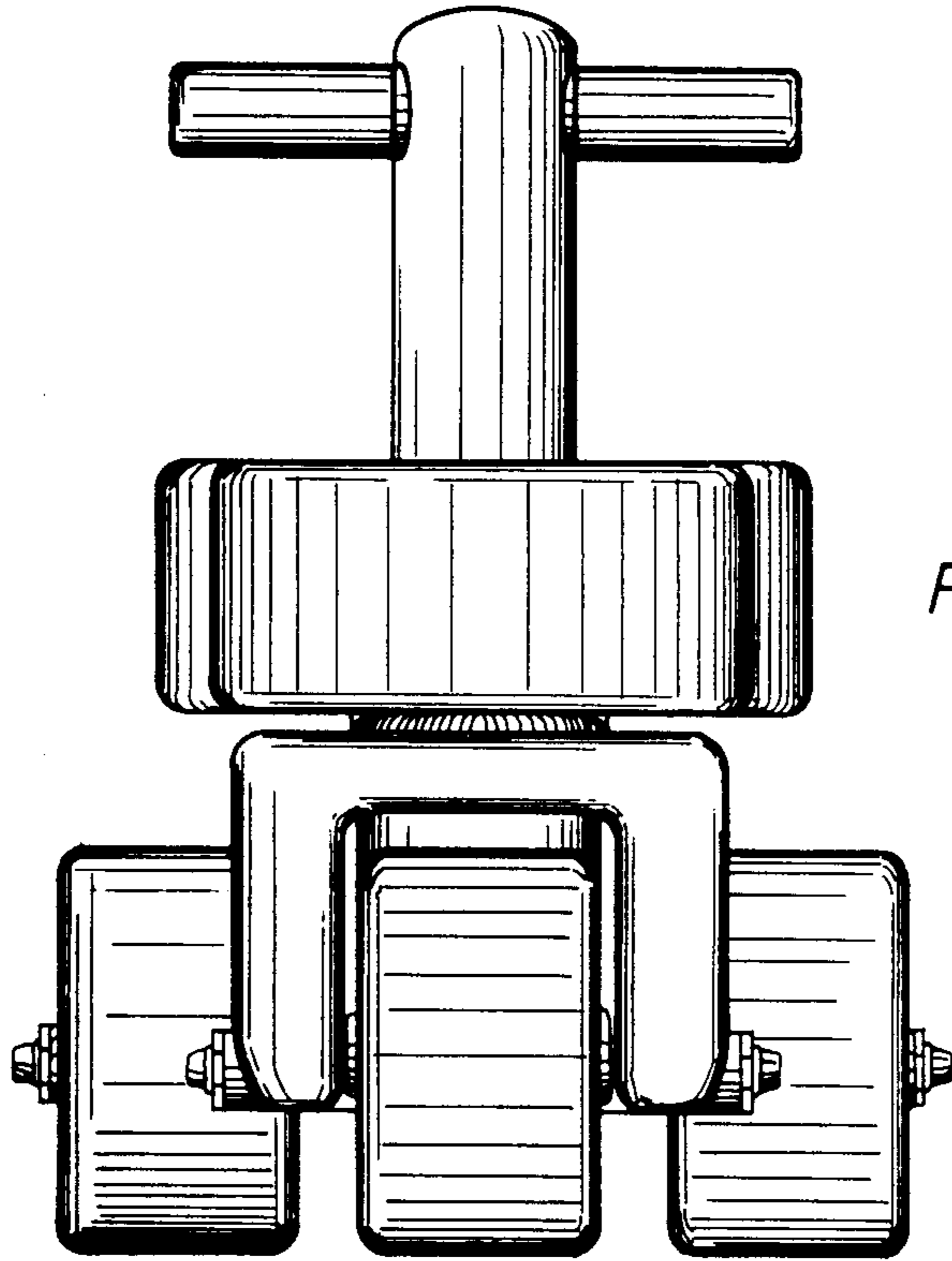


FIG. 2

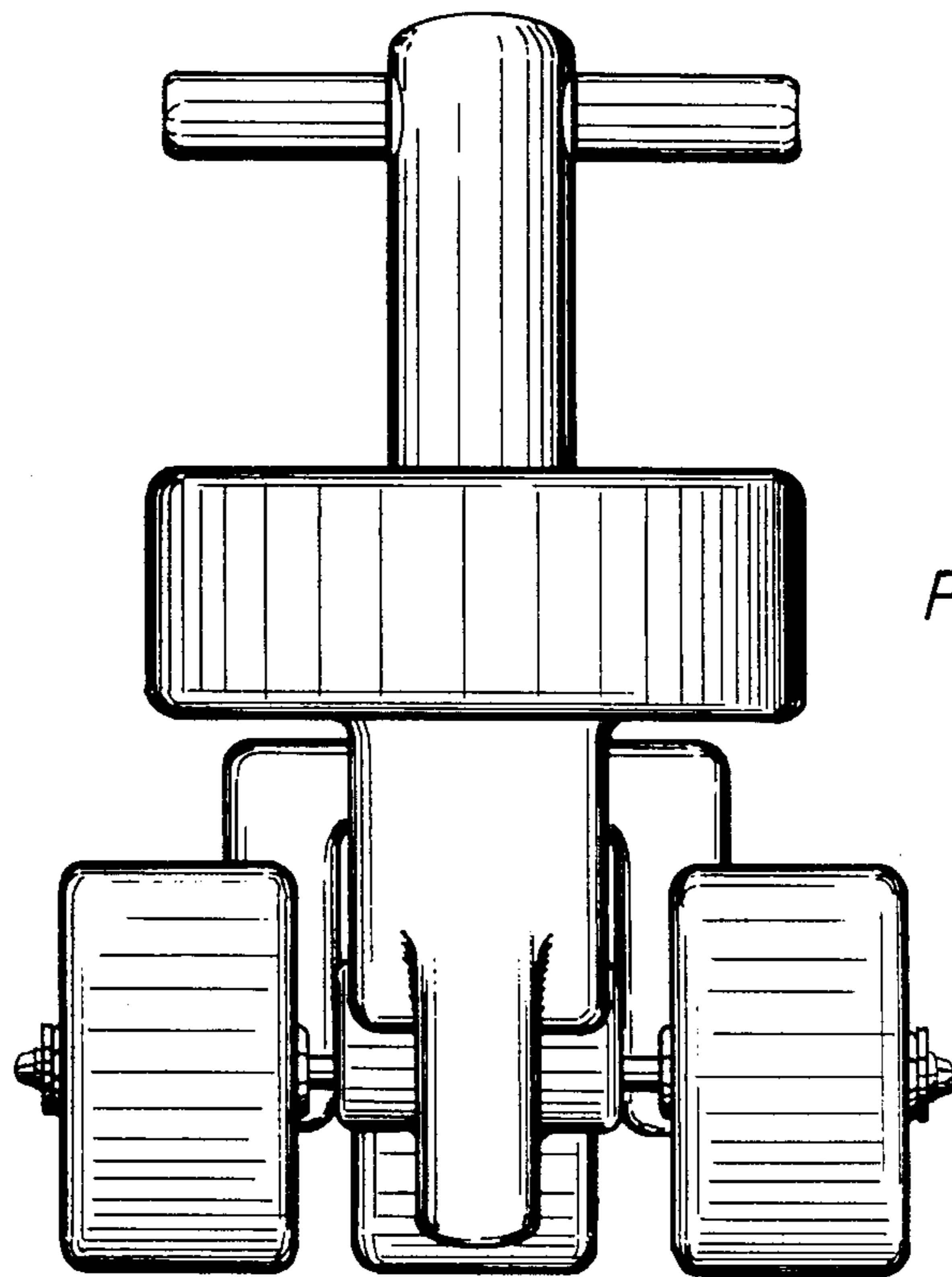


FIG. 3

