

[54] **TOY TOW TRUCK BODY**

[75] **Inventor:** Jack L. Breneman, Orchard Park, N.Y.

[73] **Assignee:** The Quaker Oats Company, Chicago, Ill.

[**] **Term:** 14 Years

[21] **Appl. No.:** 876,848

[22] **Filed:** Feb. 10, 1978

[51] **Int. Cl.** D21-01
[52] **U.S. Cl.** D21/139
[58] **Field of Search** D21/128, 132, 134, 139,
D21/141, 78; 46/201, 202, 210, 211, 213, 214,
215, 219, 222, 223

[56]

References Cited

U.S. PATENT DOCUMENTS

3,201,897 8/1965 Balthazor 46/221
3,738,057 6/1973 Ogasawara 46/221

FOREIGN PATENT DOCUMENTS

1063853 5/1954 France 46/201

Primary Examiner—Charles A. Rademaker
Attorney, Agent, or Firm—George W. Shaw

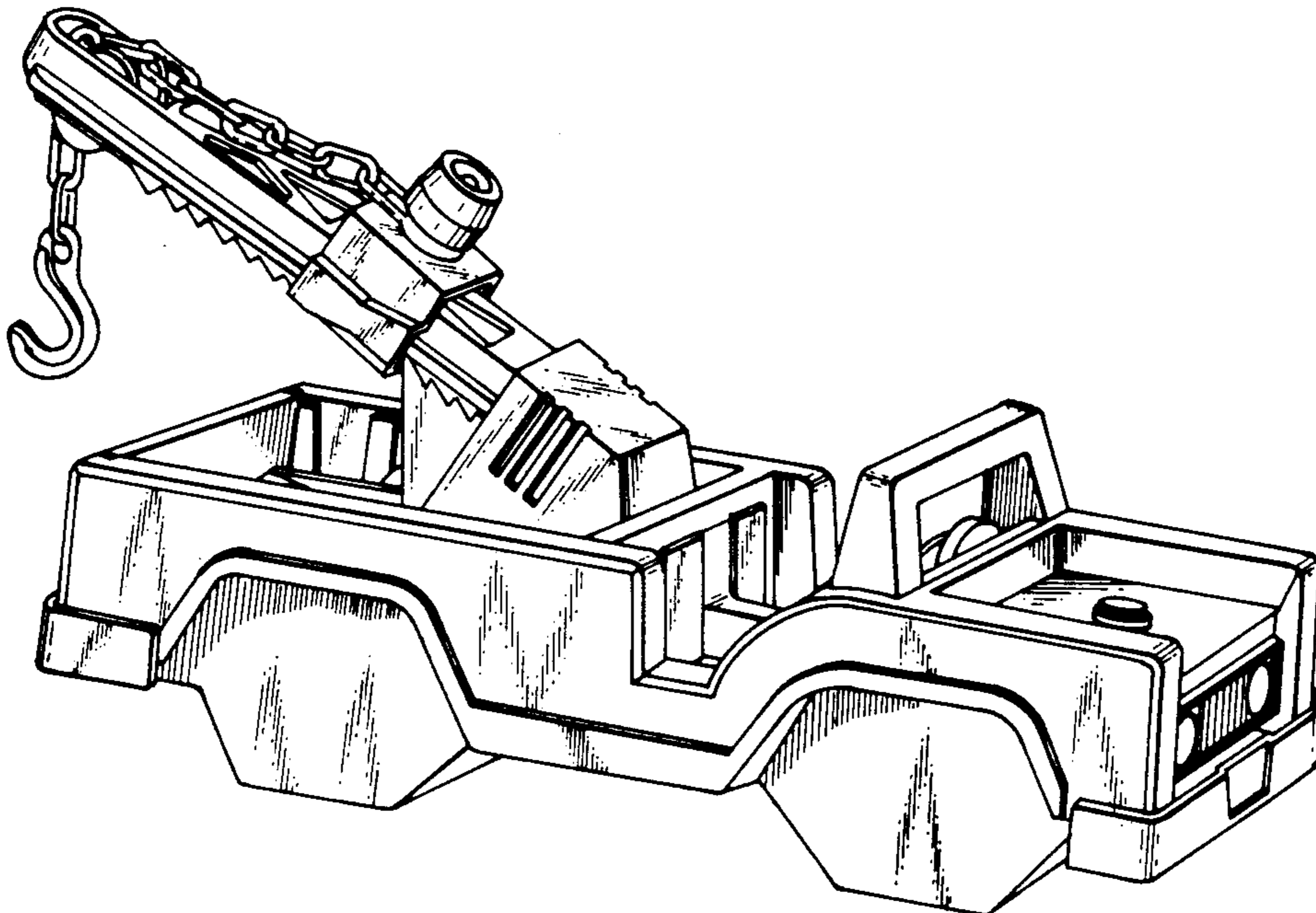
[57]

CLAIM

The ornamental design for a toy tow truck body, substantially as shown.

DESCRIPTION

FIG. 1 is a front perspective view of a toy tow truck body showing my new design;
FIG. 2 is a left-side elevational view thereof shown on a reduced scale;
FIG. 3 is a bottom plan view thereof; and
FIG. 4 is a rear elevational view thereof.



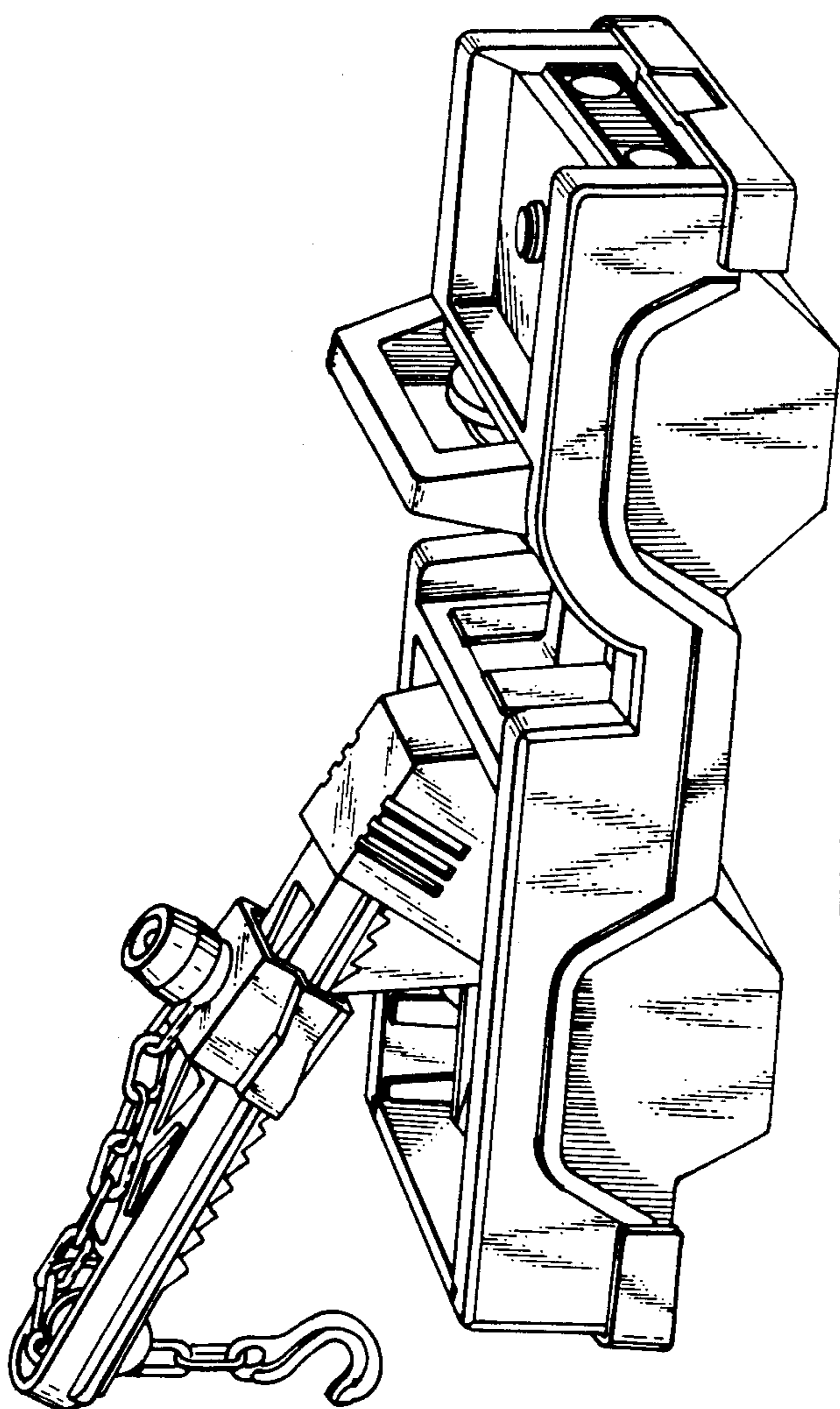


FIG. 1

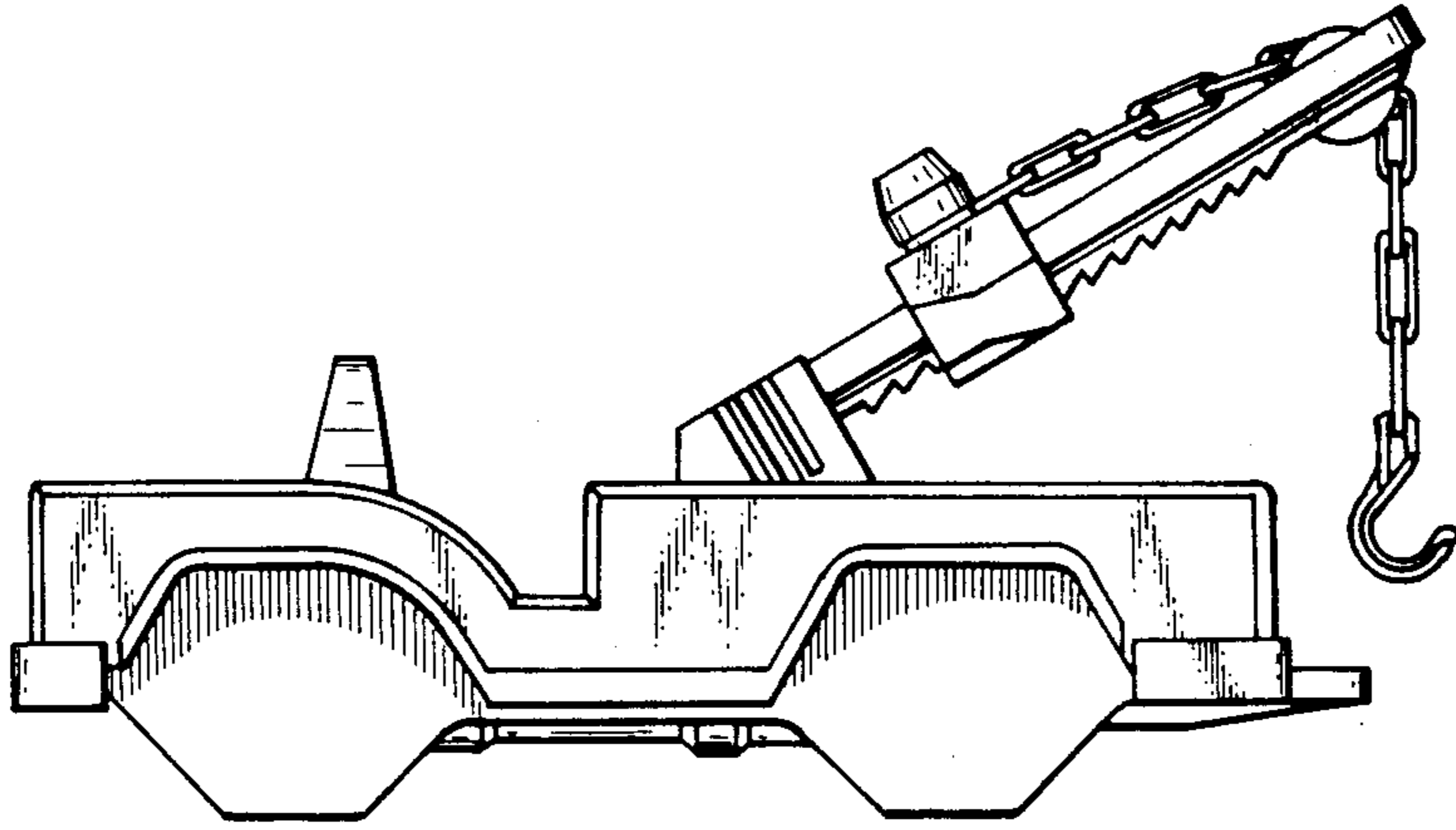


FIG. 2

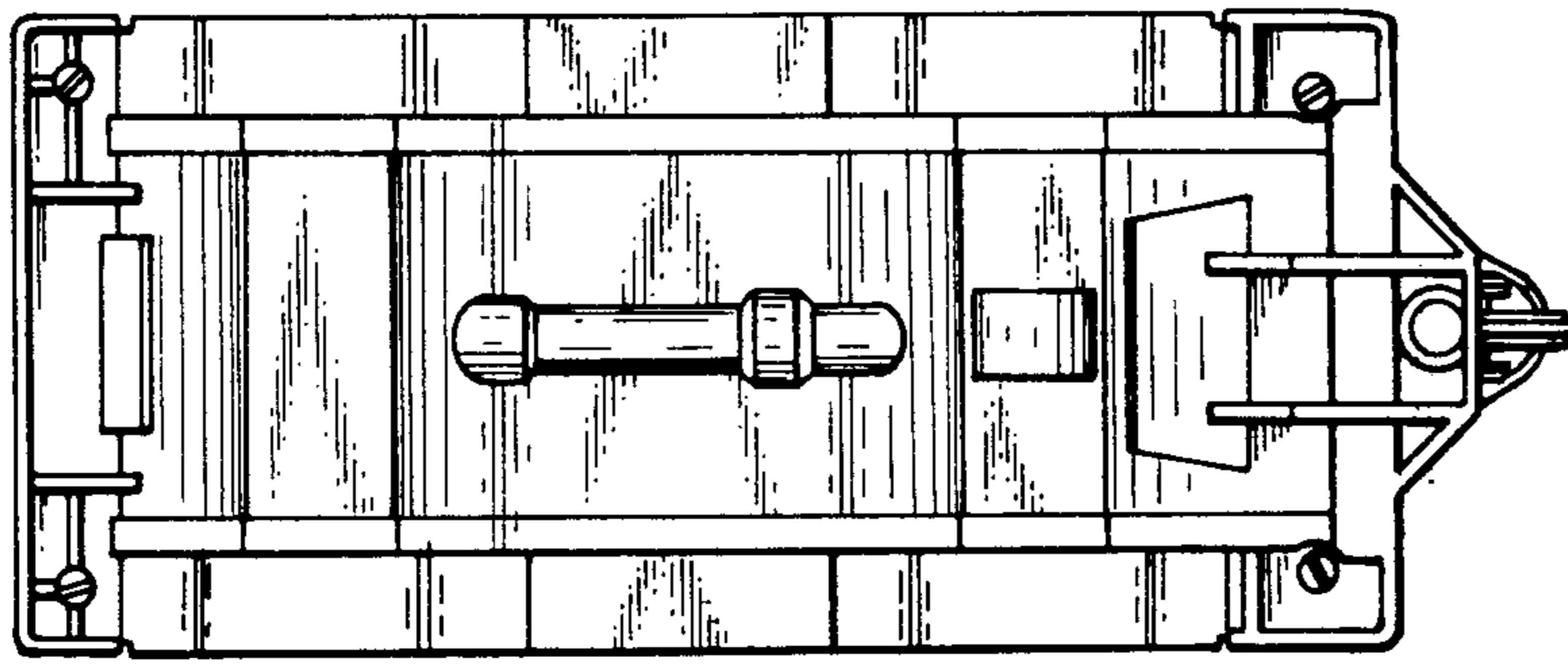


FIG. 3

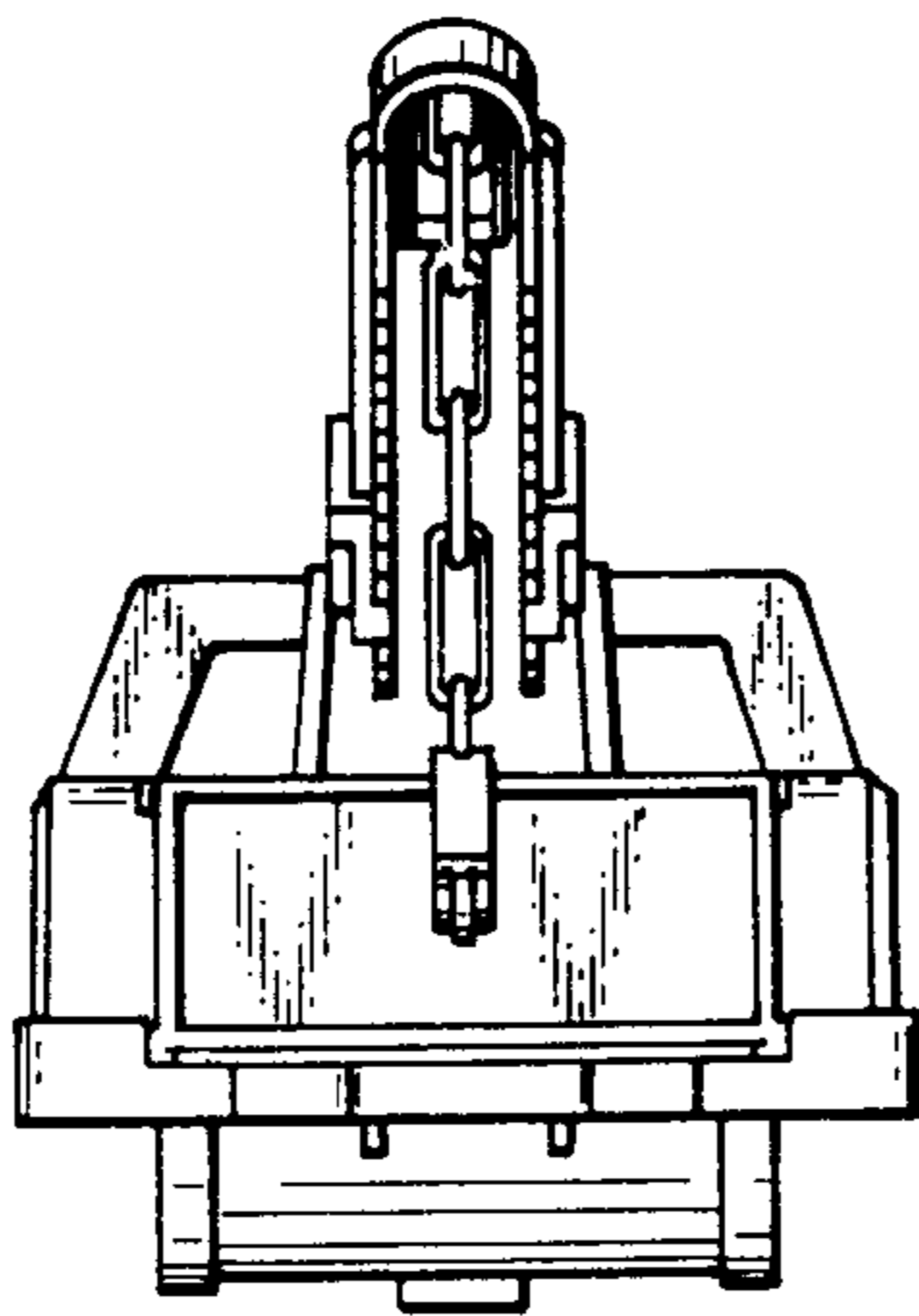


FIG. 4