

[54] TOY AMBULANCE

[75] Inventor: Patrick T. A. Burdock, Broadstairs, England

[73] Assignee: Rovex Limited, London, England

[**] Term: 14 Years

[21] Appl. No.: 923,740

[22] Filed: Jul. 11, 1978

[30] Foreign Application Priority Data

Jan. 13, 1978 [GB] United Kingdom 984237/78

[51] Int. Cl. D21-01

[52] U.S. Cl. D21/134

[58] Field of Search D21/128, 133, 134, 135, D21/136, 137, 139, 140, 141, 78; 280/87.01; 46/20, 202, 204, 206, 214, 221, 222, 223

[56] References Cited

U.S. PATENT DOCUMENTS

D. 219,666 1/1971 Gilford D21/140

FOREIGN PATENT DOCUMENTS

2300822 7/1974 Fed. Rep. of Germany 280/87.01

OTHER PUBLICATIONS

Sears Xmas Catalog, 1974, p. 482, Item #3, Play Truck. Hong Kong Toys Catalog, 1976, p. 100, Toy Truck, third from right side of page.

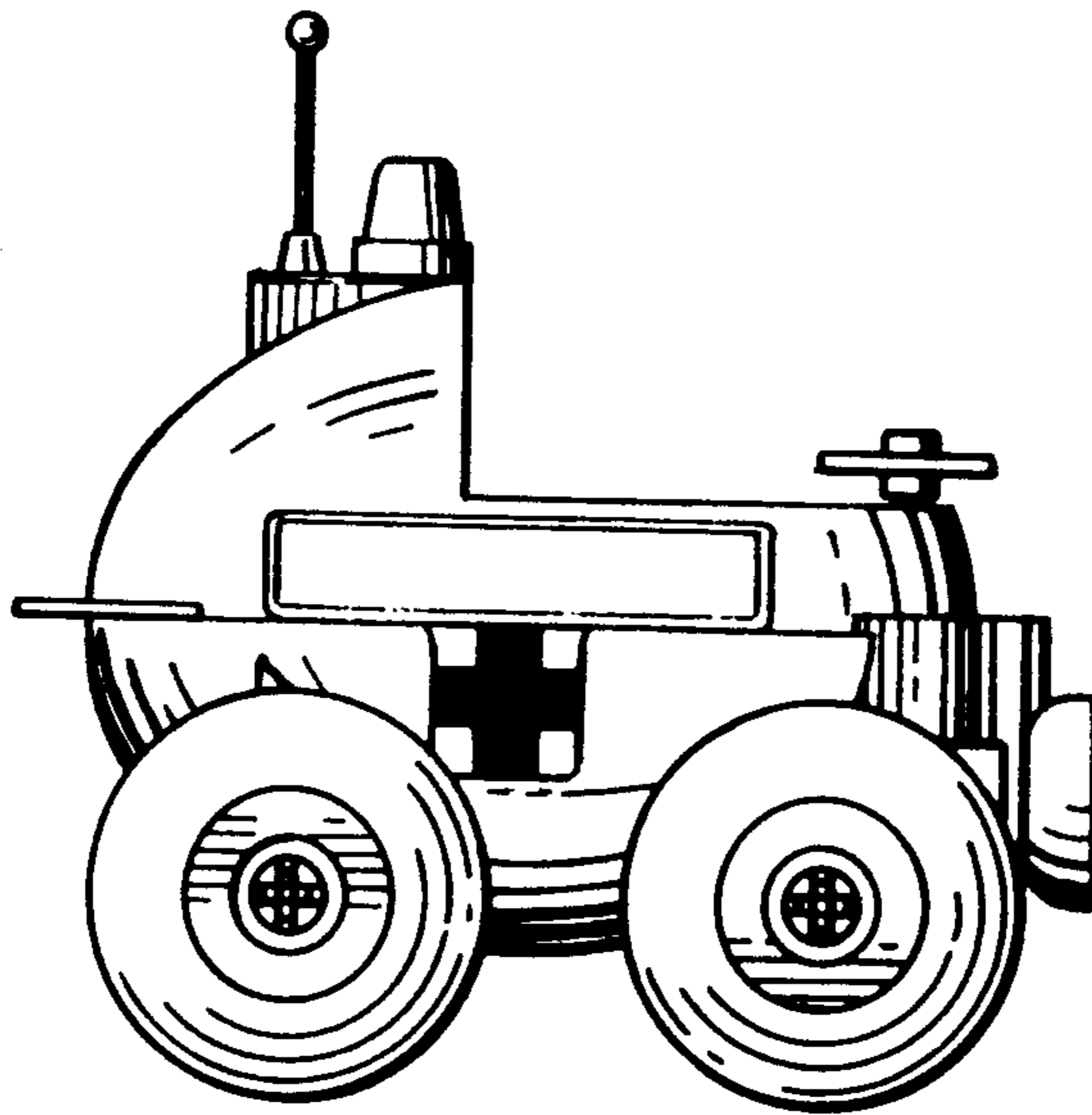
Primary Examiner—Charles A. Rademaker
Attorney, Agent, or Firm—V. M. Wigman

[57] CLAIM

The ornamental design for a toy ambulance, as shown and described.

DESCRIPTION

FIG. 1 is a side elevational view of a toy ambulance showing my new design;
FIG. 2 is a front perspective view thereof;
FIG. 3 is a top plan view thereof;
FIG. 4 is a rear elevational view thereof;
FIG. 5 is a bottom plan view thereof.



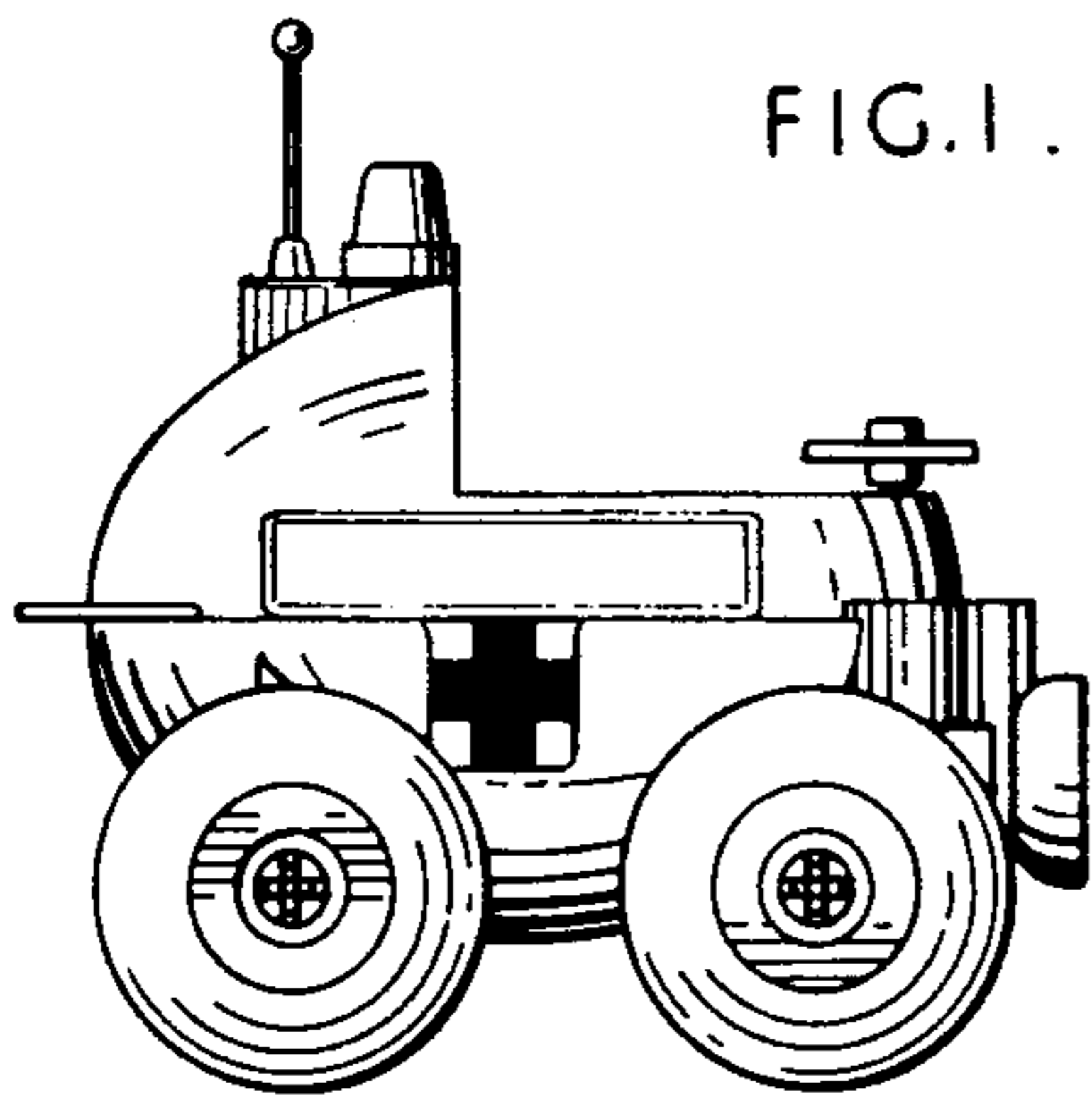


FIG. 1.

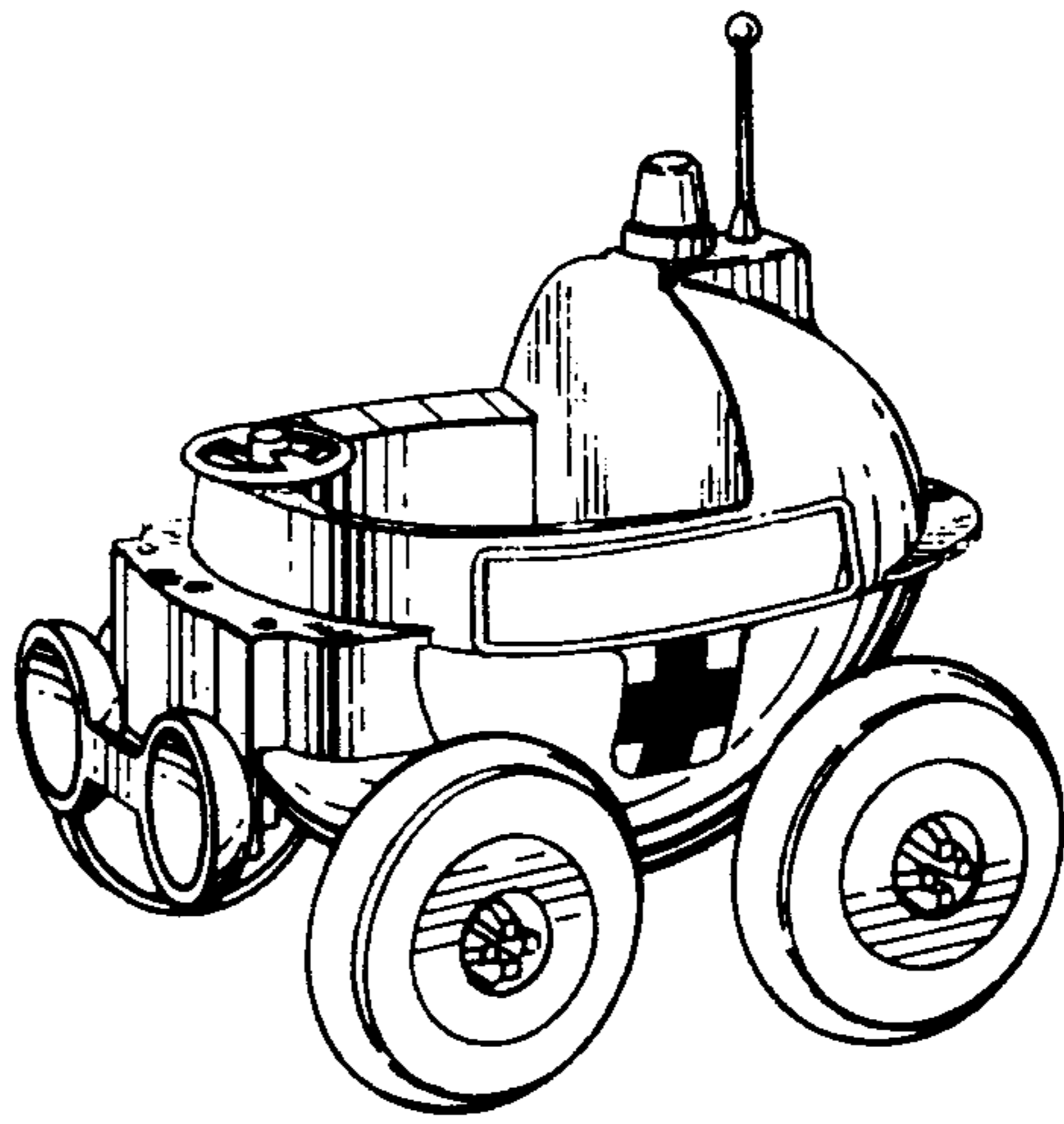


FIG. 2.

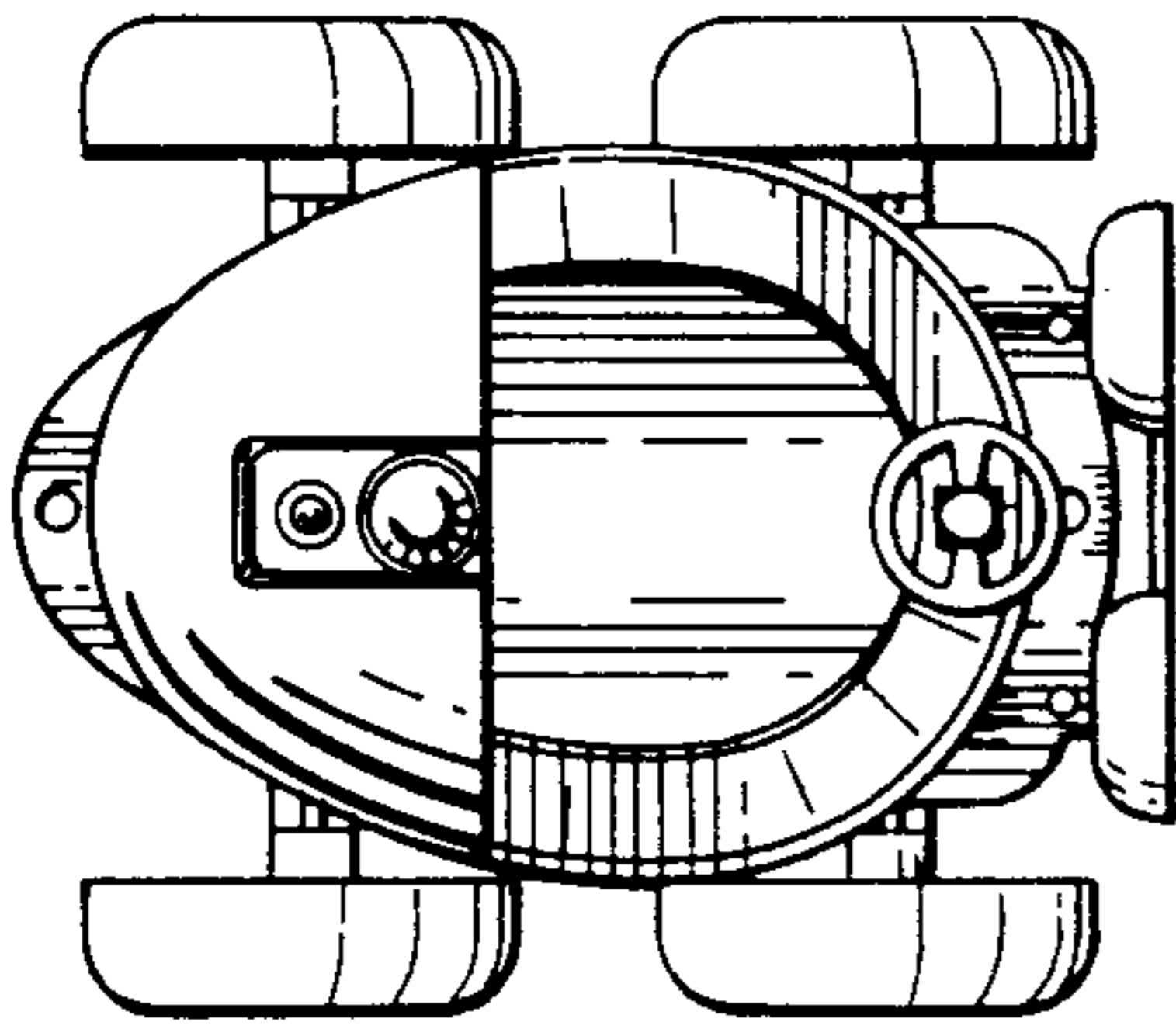


FIG. 3.

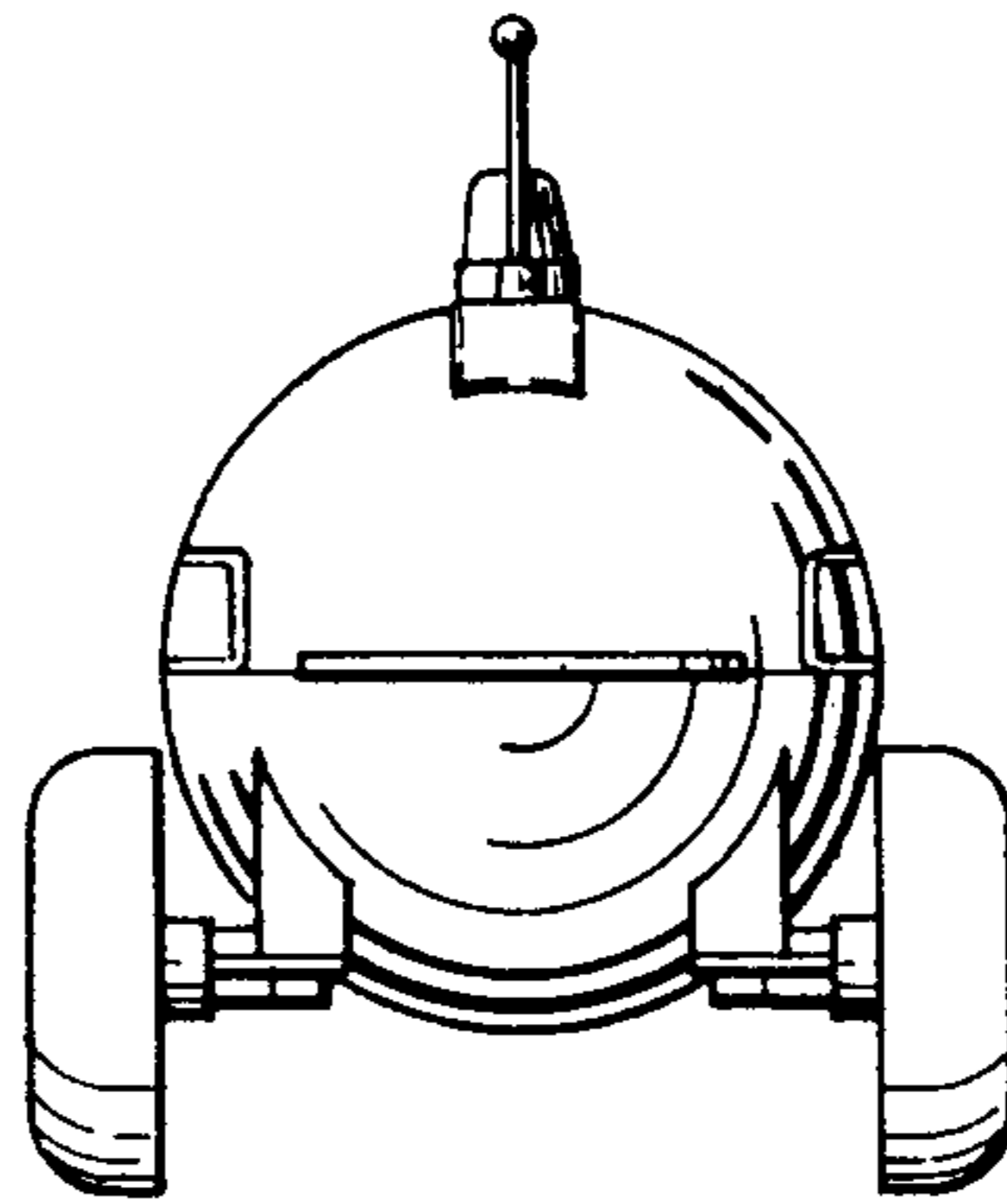


FIG. 4.

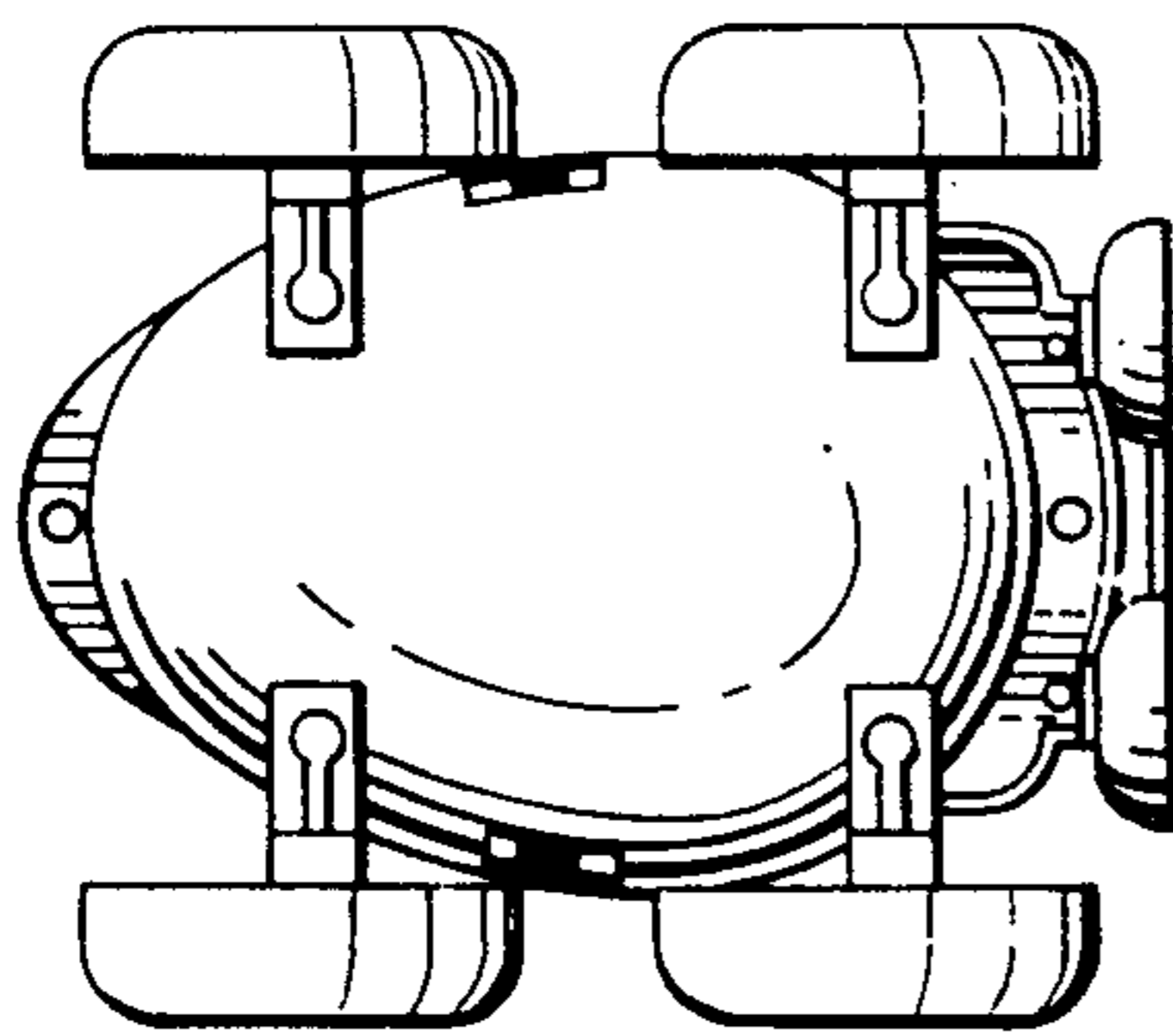


FIG. 5.