

[54] **PRINTER STAND**

[76] Inventor: **Kenneth A. Lloyd, Jr.**, 10192 Orchard Park, West Dr., Indianapolis, Ind. 46280

[**] Term: **14 Years**

[21] Appl. No.: **872,592**

[22] Filed: **Jan. 26, 1978**

[51] Int. Cl. **D6-04; D14-02; D18-02**

[52] U.S. Cl. **D18/23; D6/181; D14/50**

[58] Field of Search **D14/40-50; D18/5, 11, 13, 18, 22, 23; 312/223, 208, 253; 248/127, 637, 671, 672, 676, 677, 678, 346, 176, 639, 646, 163; 101/1; 400/70, 76, 691, 693; 211/13, 86, 134; D6/85, 181**

[56] **References Cited**

U.S. PATENT DOCUMENTS

D. 197,998 4/1964 Van Acker D18/23

D. 221,086	7/1971	Fossella	D14/40 X
D. 224,014	6/1972	Minka	D14/44
1,647,387	11/1927	Wood	101/1
2,111,644	3/1938	Singer	312/208 X

OTHER PUBLICATIONS

Industrial Design, May 1973, p. 58, Printer Stand SV40.

Primary Examiner—Catherine E. Kemper

Attorney, Agent, or Firm—Harold R. Woodard

[57] **CLAIM**

The ornamental design for a printer stand, as shown and described.

DESCRIPTION

FIG. 1 is a right side elevational view of a printer stand showing my new design.

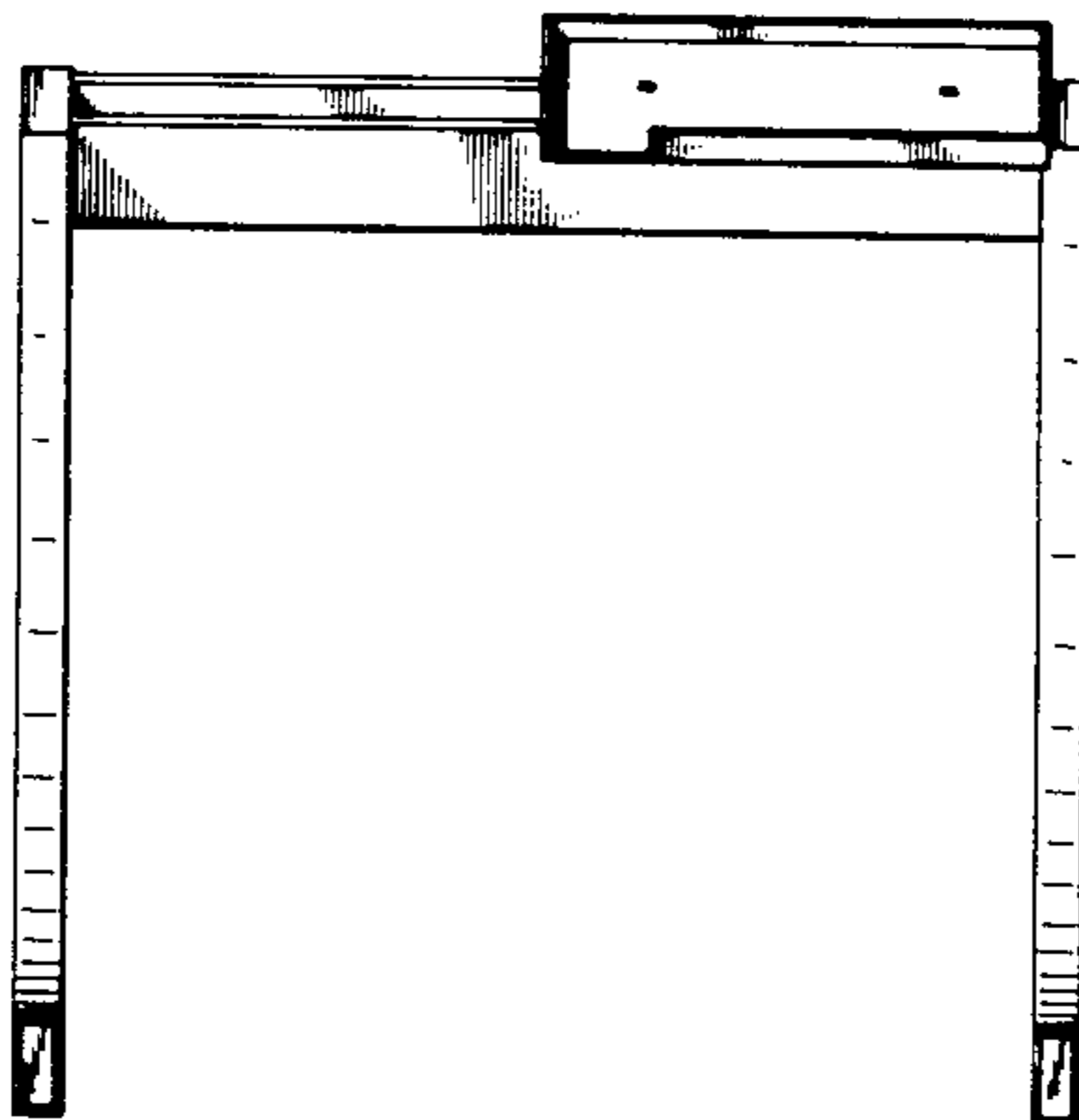
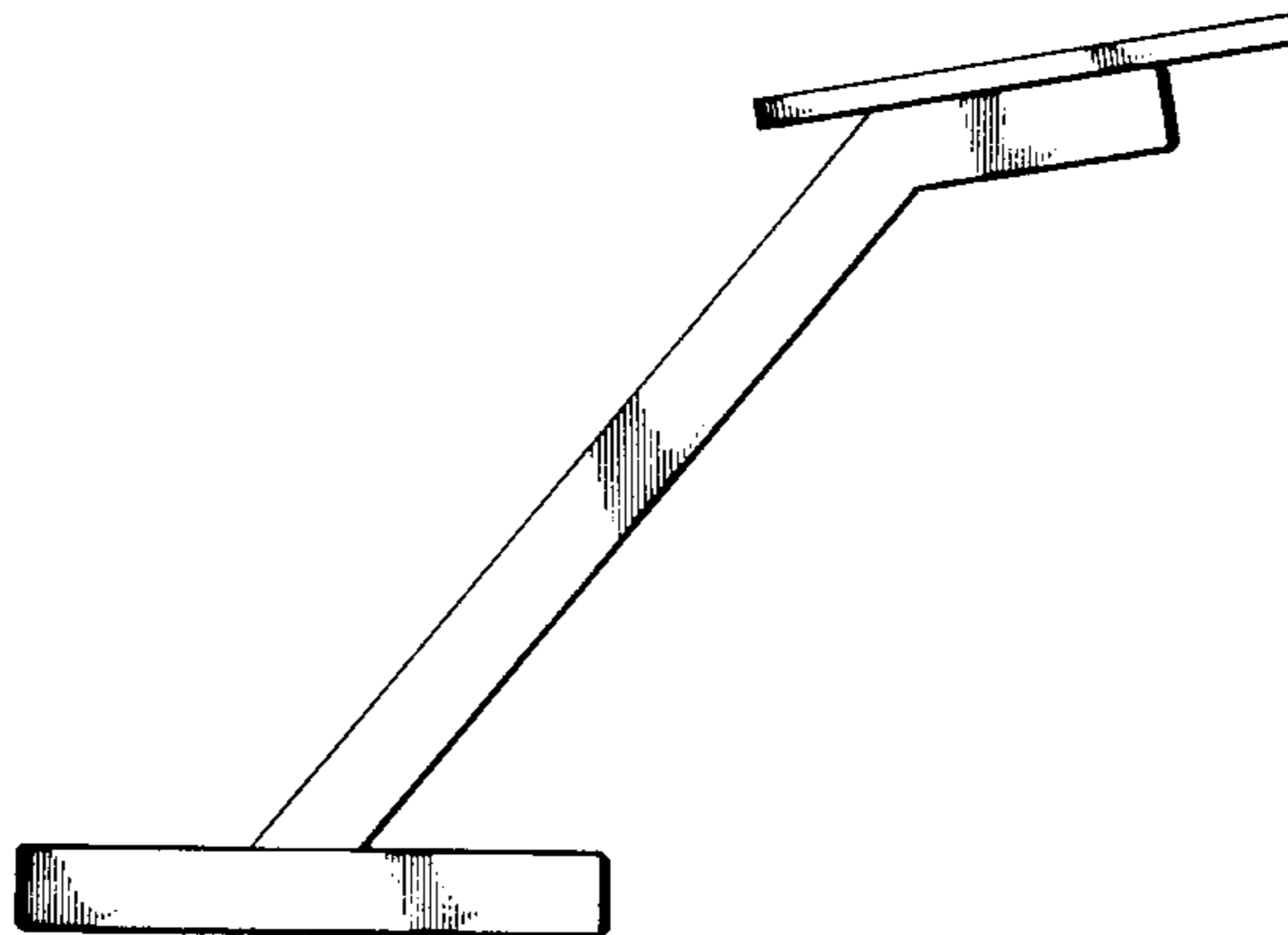
FIG. 2 is a front elevational view thereof.

FIG. 3 is a top plan view thereof.

FIG. 4 is a rear elevational view thereof.

FIG. 5 is a bottom view thereof.

The appearance of the left-hand side is a mirror image of the appearance of the right-hand side.



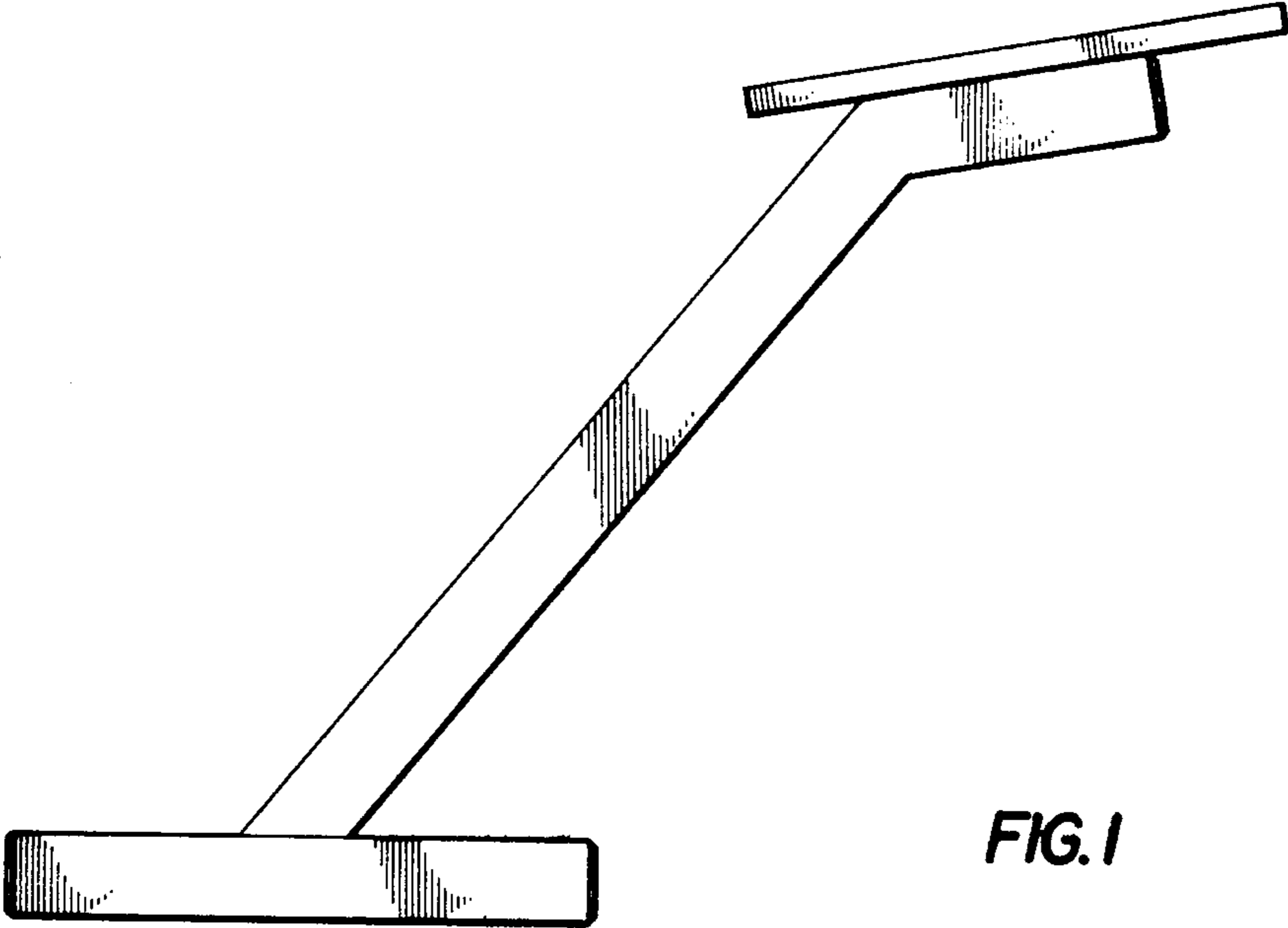


FIG. 1

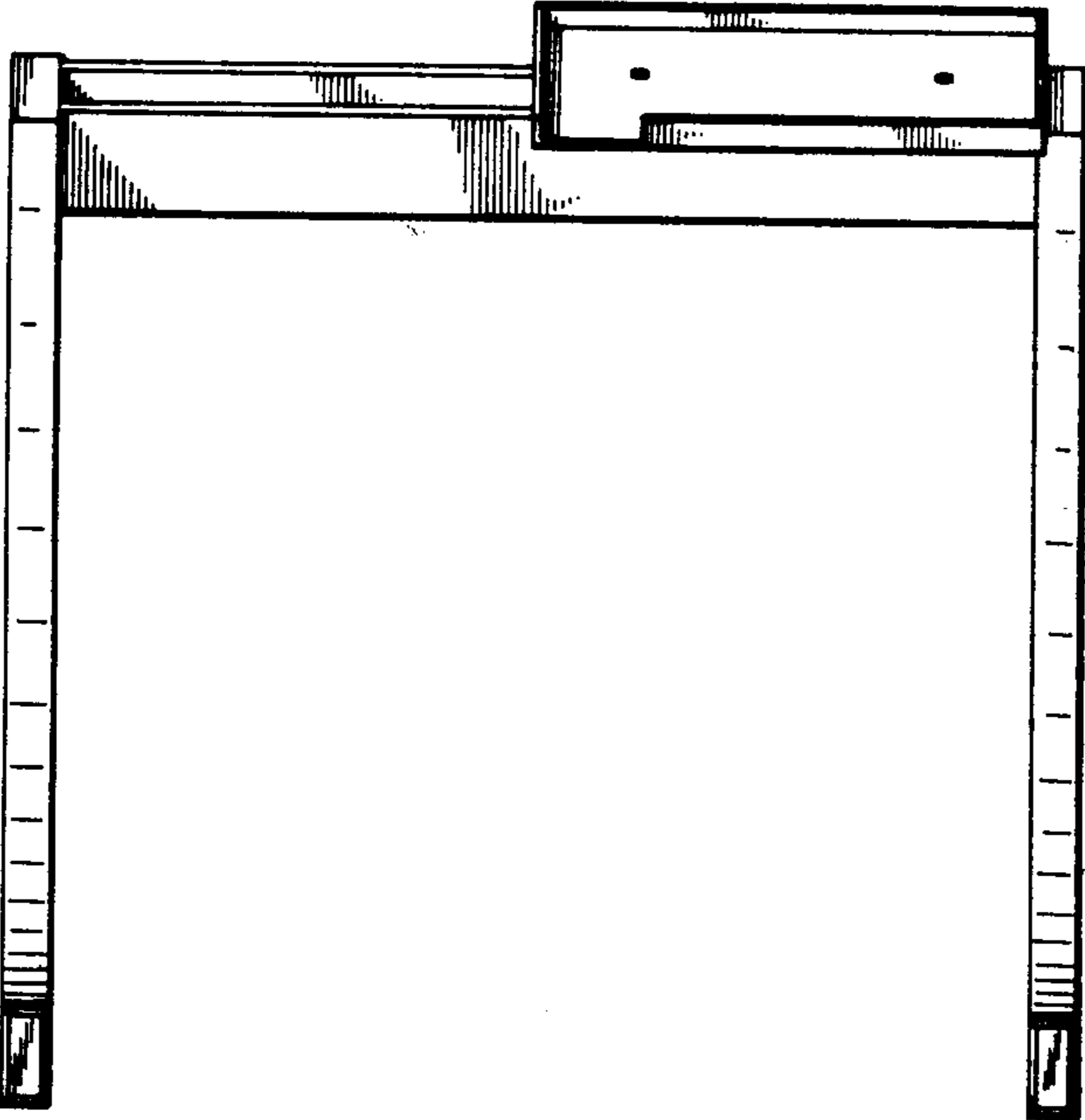


FIG. 2

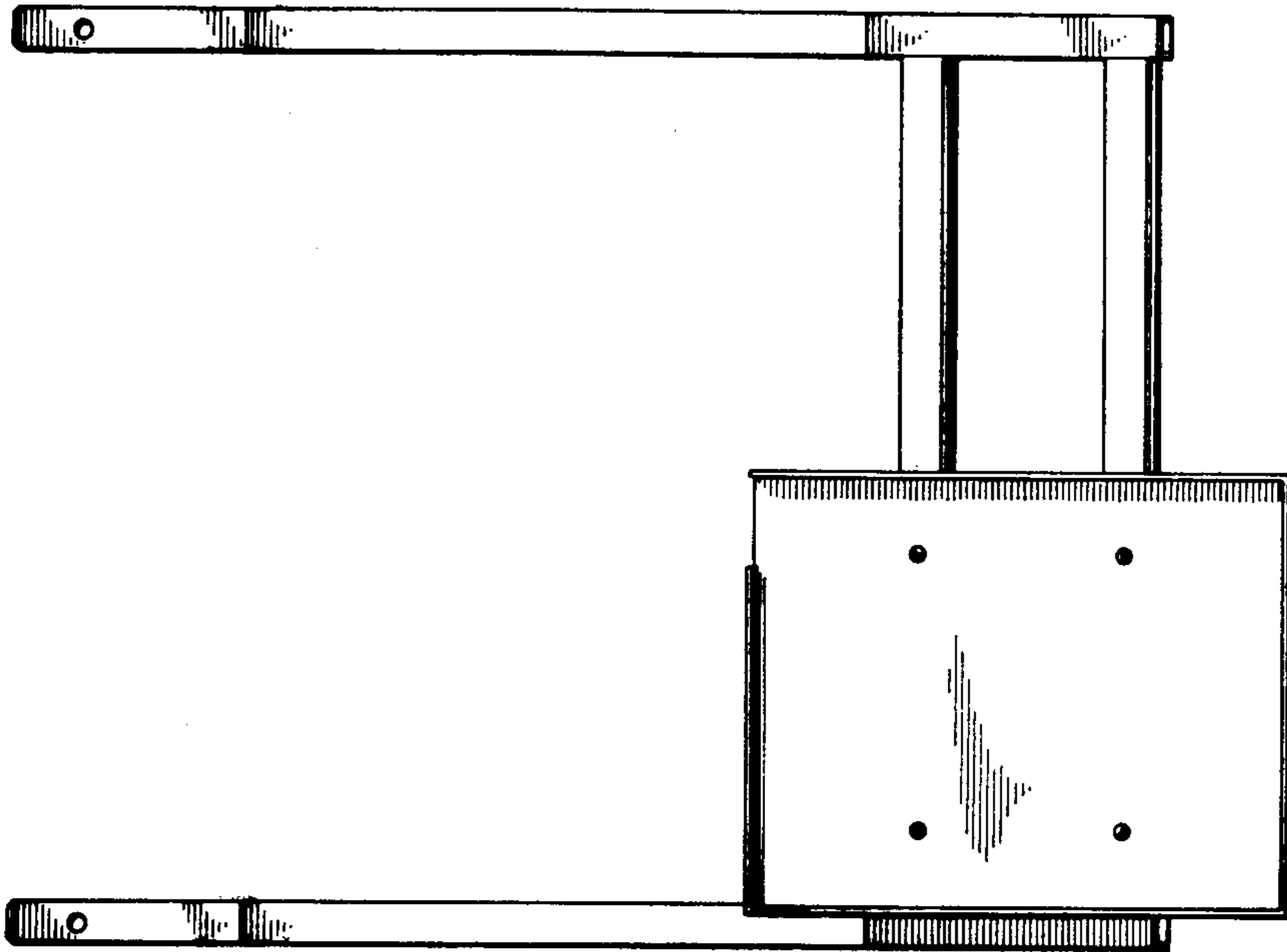


FIG. 3

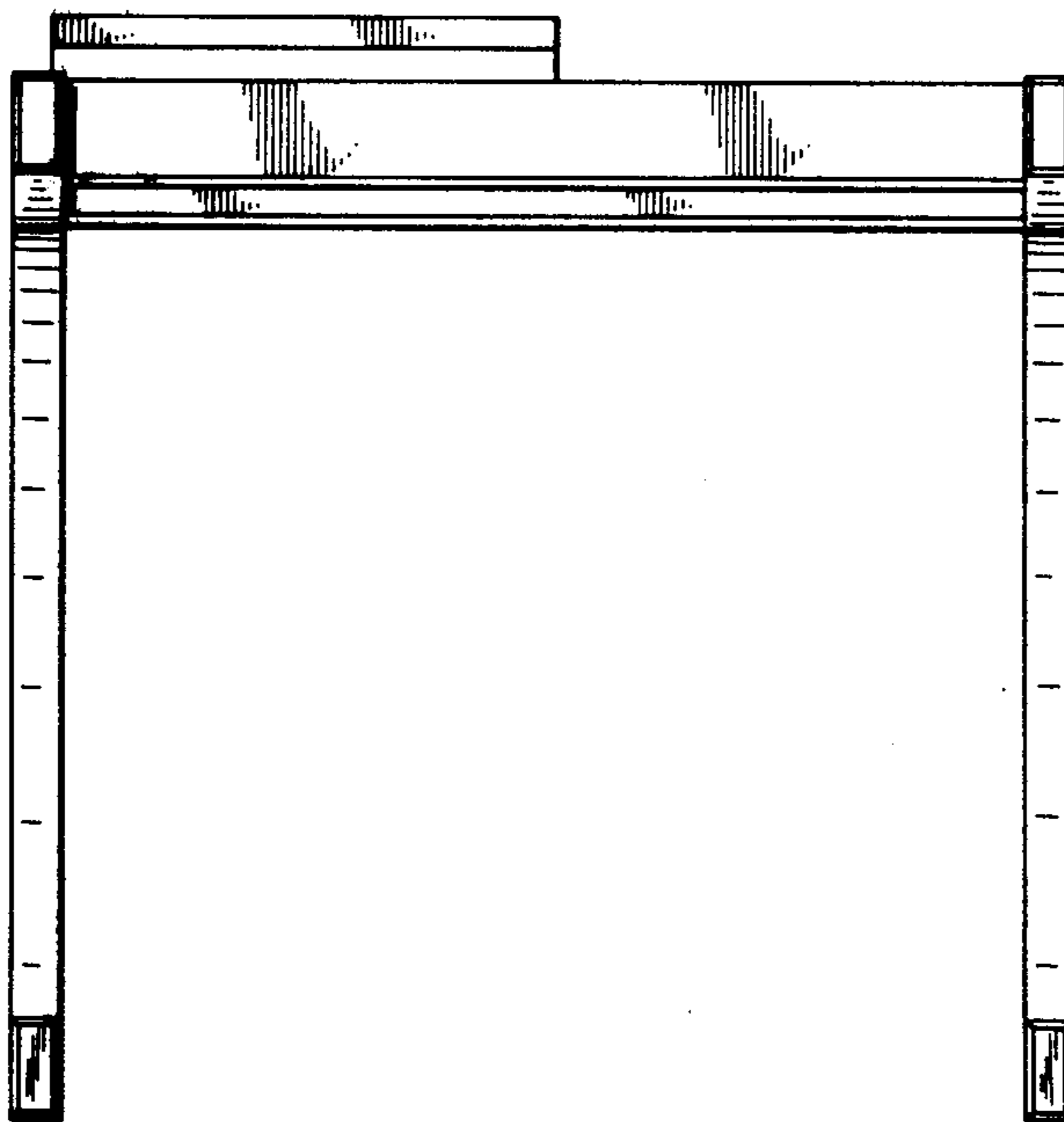


FIG. 4

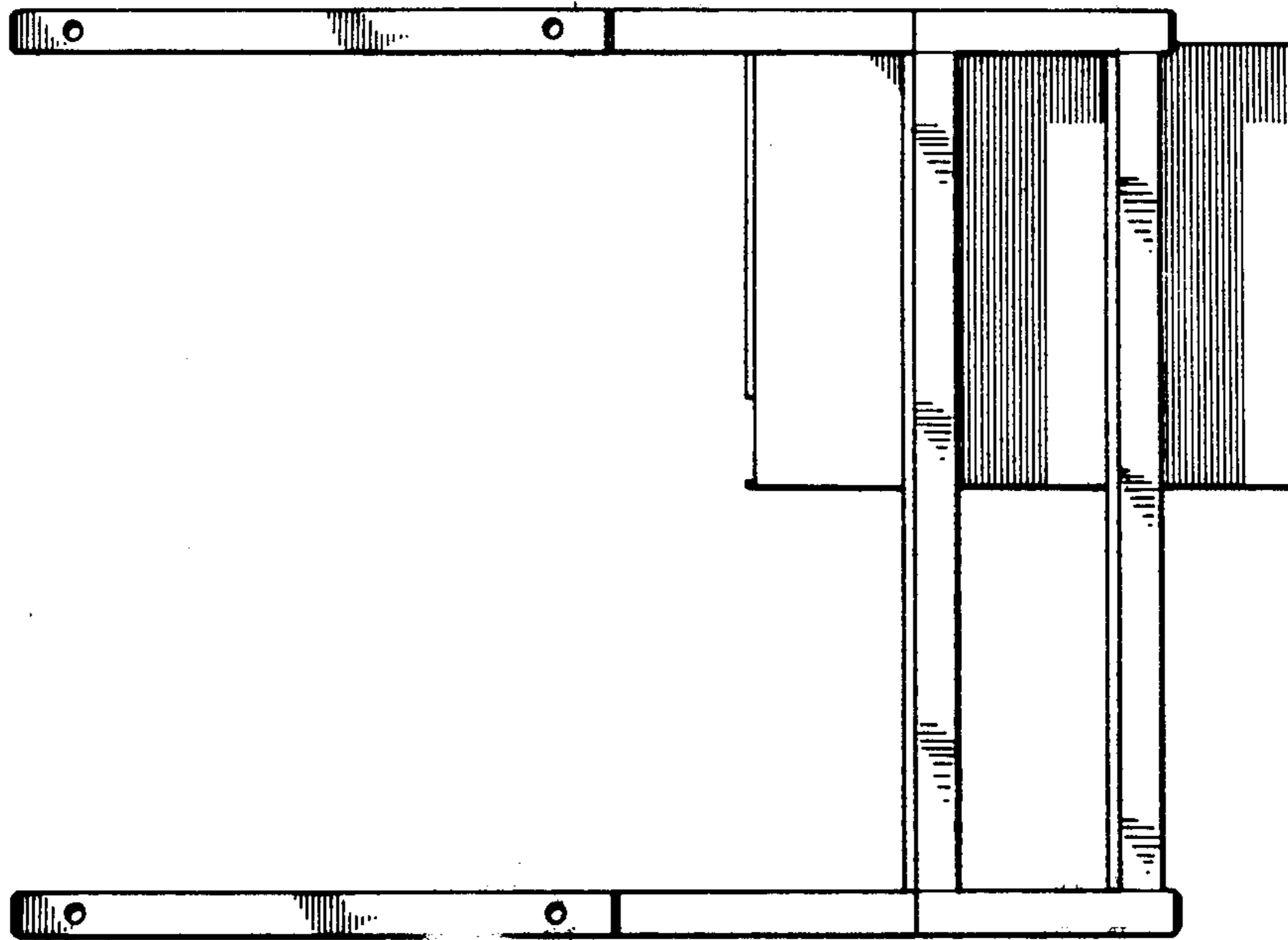


FIG. 5