

[54] PORTABLE TIRE INFLATING UNIT
[75] Inventor: Darrell D. Fish, Timonium, Md.
[73] Assignee: Universal Security Instruments, Inc., Owings Mills, Md.

D. 235,923 7/1975 Faal et al. D15/9
2,812,895 11/1957 Peeps 417/234 X
2,826,354 3/1958 Field 417/234 X
3,015,281 1/1962 Umholtz 417/234
4,004,862 1/1977 Hill et al. 417/234

[**] Term: 14 Years

Primary Examiner—James R. Largen
Attorney, Agent, or Firm—Howard L. Rose

[21] Appl. No.: 886,616

[22] Filed: Mar. 13, 1978

[57] CLAIM

[51] Int. Cl. D15—02

The ornamental design for portable tire inflating unit, substantially as shown.

[52] U.S. Cl. D15/9

[58] Field of Search D15/7, 8, 9; 417/234, 417/411

DESCRIPTION

[56] References Cited
U.S. PATENT DOCUMENTS

D. 118,165 12/1939 Lotz et al. D15/9
D. 175,054 6/1955 Wagner et al. D15/7
D. 194,251 12/1962 Olds et al. D15/7
D. 197,154 12/1963 Sakaley, Jr. D15/7
D. 217,399 4/1970 Whitney D15/7

FIG. 1 is a perspective view taken from the front, top and right side of a portable tire inflating unit showing my new design;
FIG. 2 is a perspective view taken from the rear, bottom and right side thereof;
FIG. 3 is a top plan view thereof;
FIG. 4 is a left side elevational view thereof; and
FIG. 5 is a front elevational view thereof.

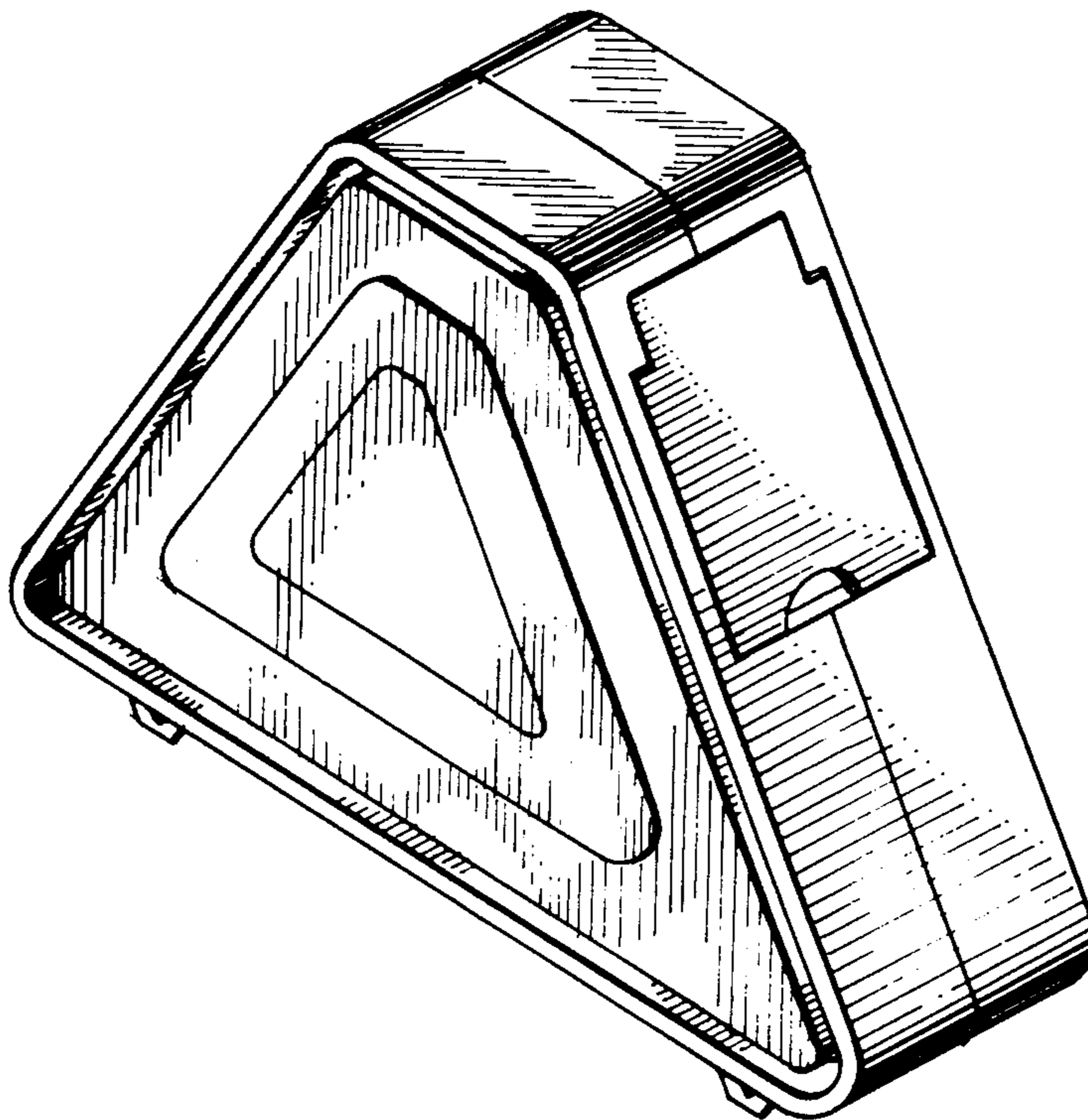


FIG. 1

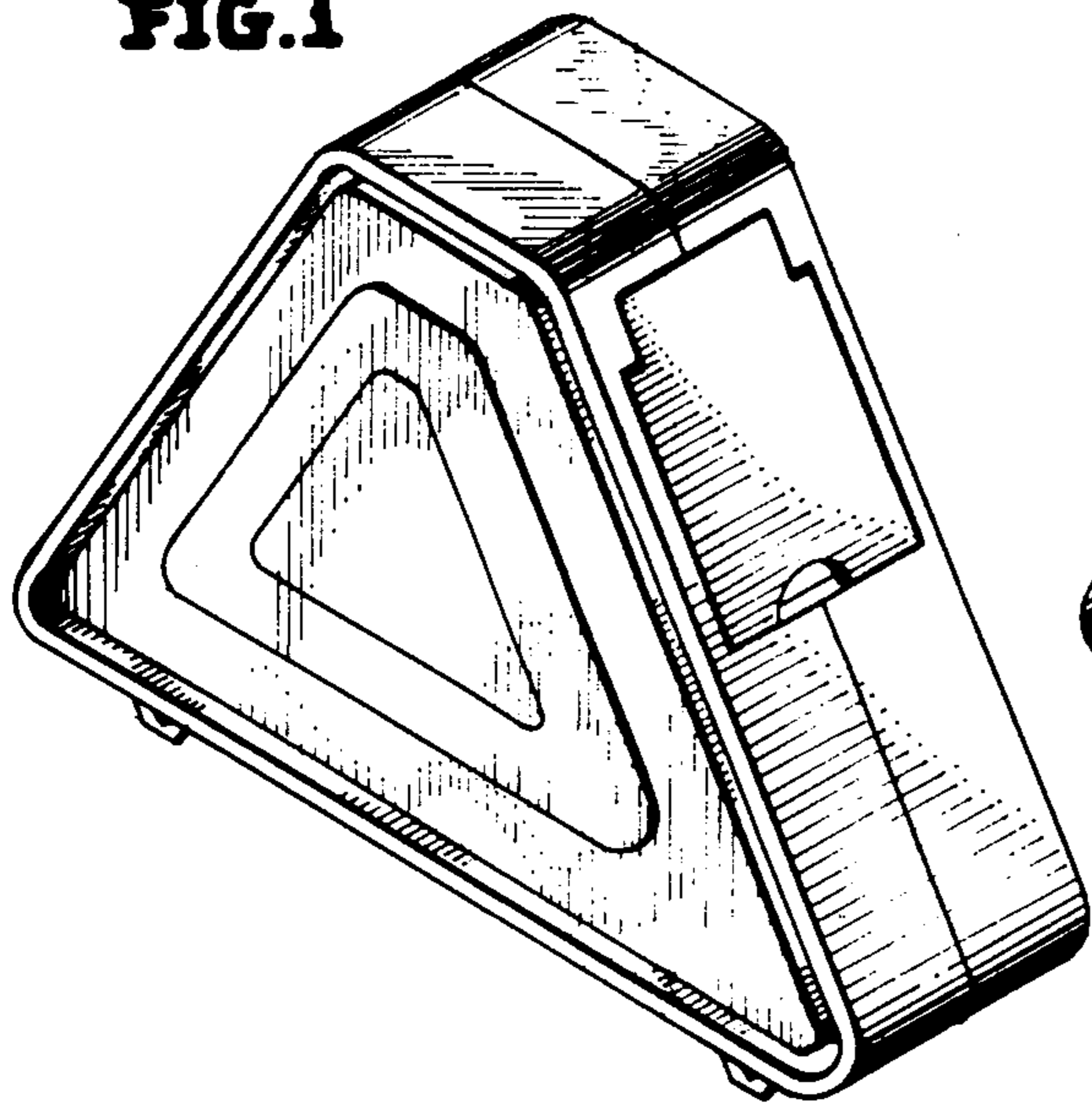


FIG. 2

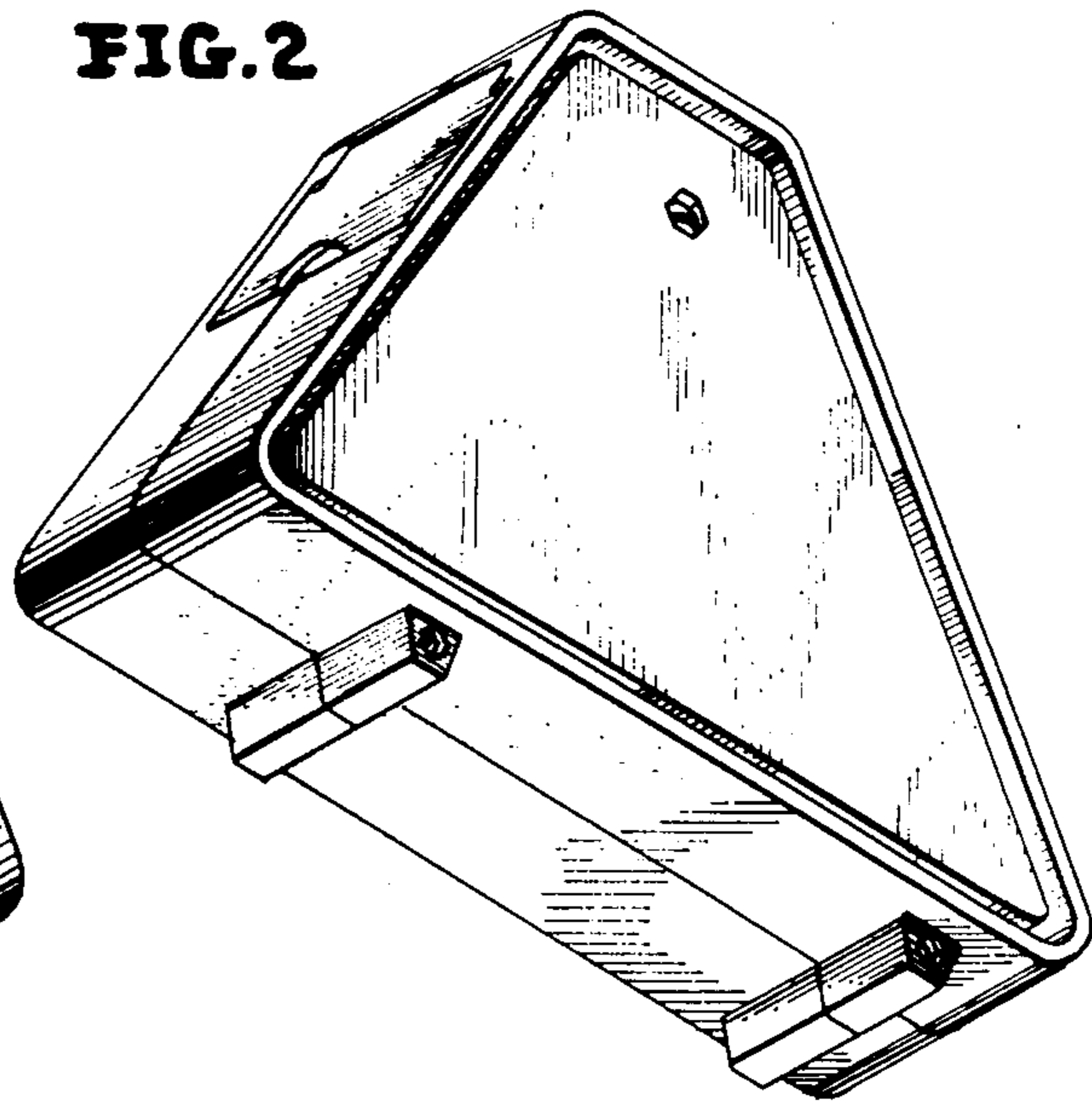


FIG. 3

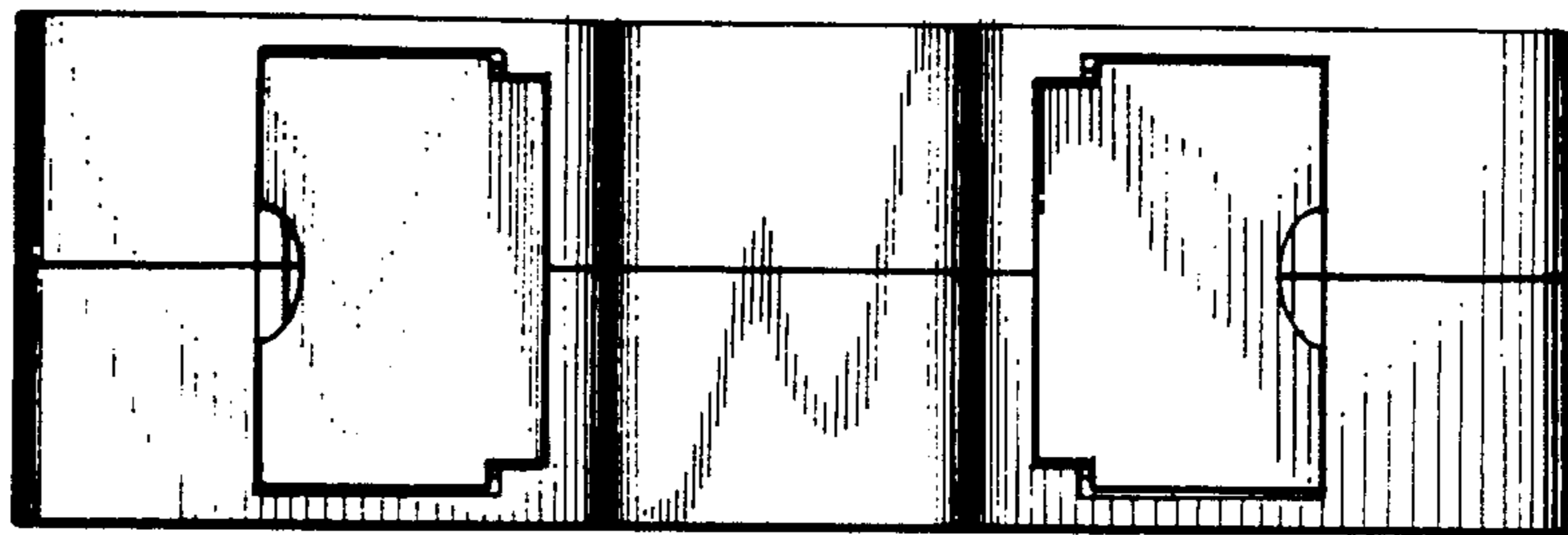


FIG. 4

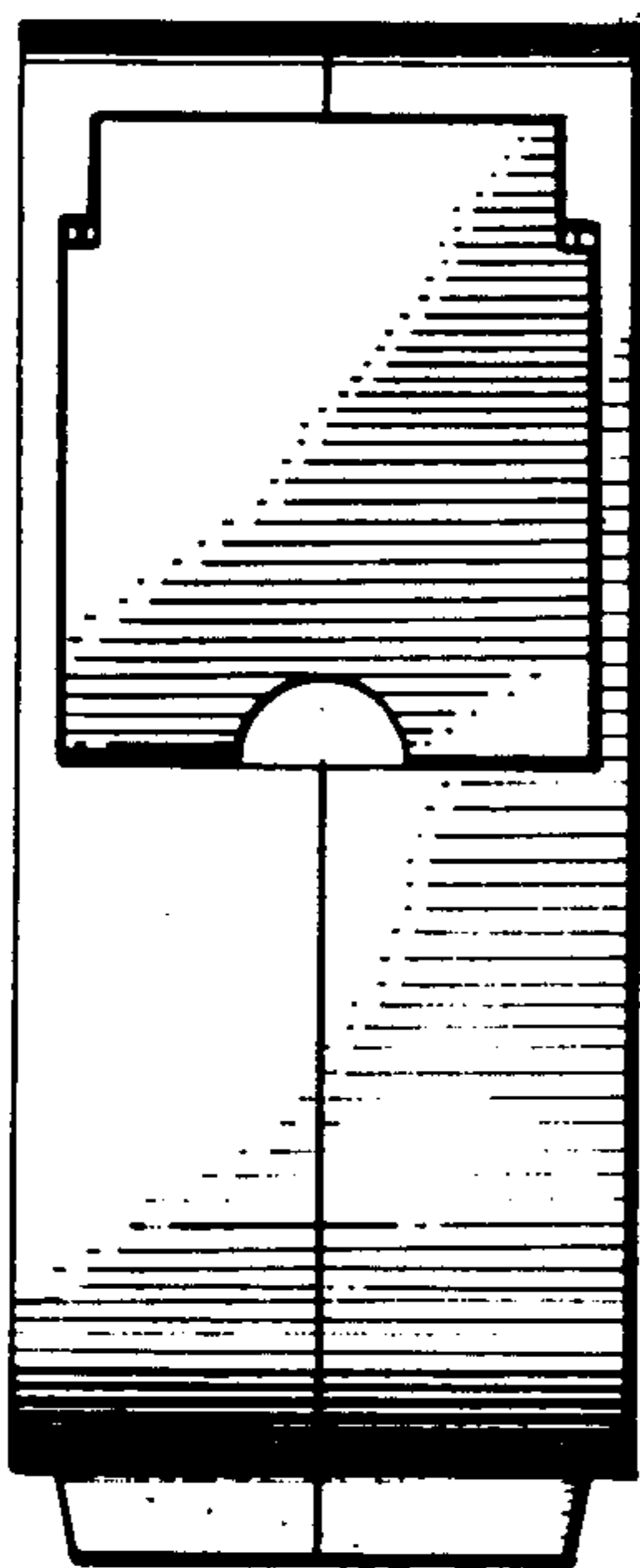


FIG. 5

