

[54] OUTBOARD MOTOR PROTECTOR

4,078,516 3/1978 Balius ..... 115/42

[76] Inventor: Fiorevante Fogolin, Pointe au Baril,  
Ontario, Canada, P0G 1K0

Primary Examiner—Sam Rosen  
Attorney, Agent, or Firm—Robert B. Murray

[\*\*] Term: 14 Years

[57] CLAIM

[21] Appl. No.: 922,636

The ornamental design for an outboard motor protector, as shown.

[22] Filed: Jul. 7, 1978

DESCRIPTION

[51] Int. Cl. .... D15—99

FIG. 1 is a perspective view of an outboard motor protector showing my new design;

[52] U.S. Cl. .... D15/4

FIG. 2 is a right side elevational view thereof;

[58] Field of Search ..... D12/70; D15/4; 115/42

FIG. 3 is a left side elevational view thereof;

FIG. 4 is a top plan view thereof;

FIG. 5 is a rear elevational view thereof;

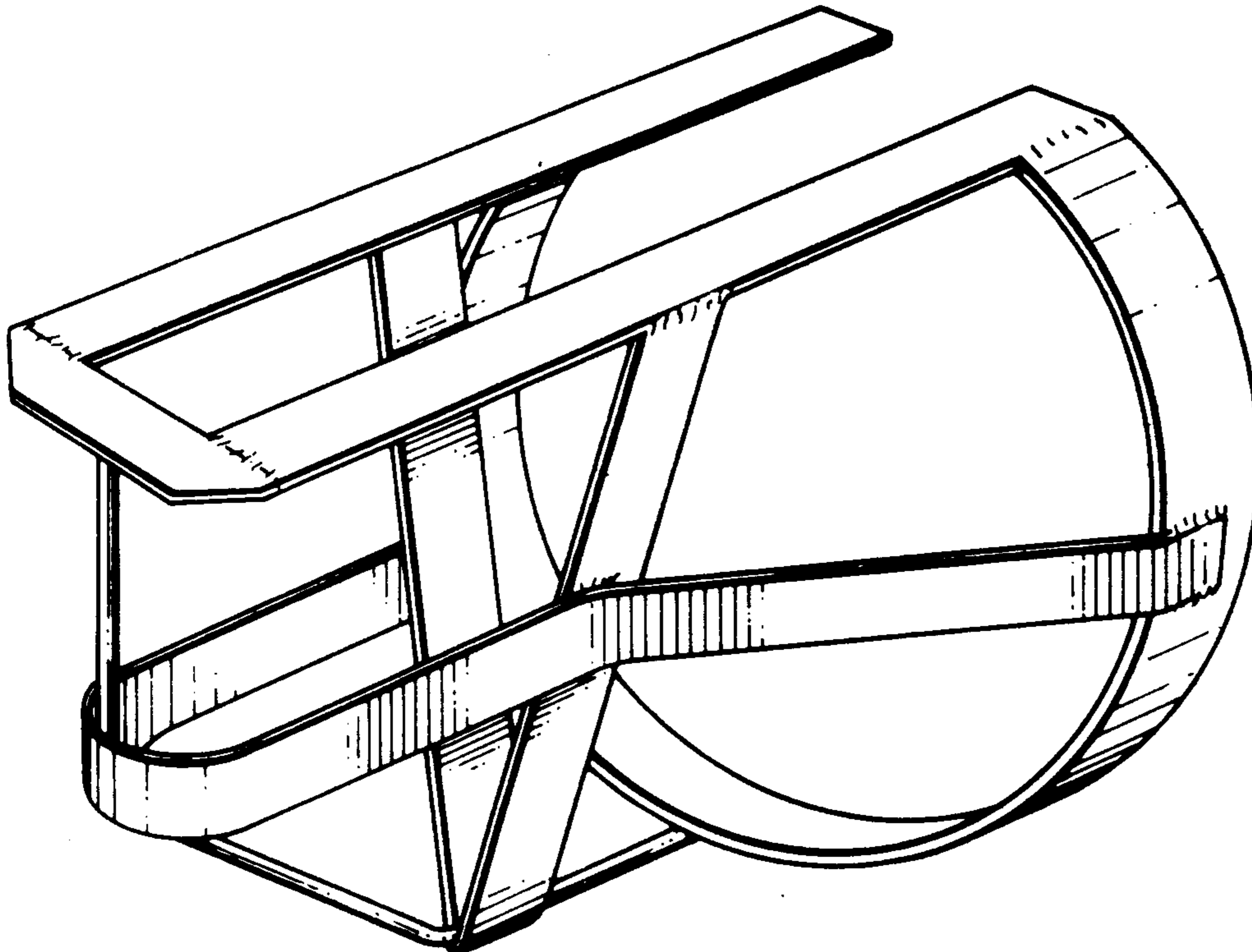
FIG. 6 is a front elevational view thereof; and

FIG. 7 is a bottom plan view thereof.

[56] References Cited

U.S. PATENT DOCUMENTS

2,983,246 5/1961 Manley ..... 115/42



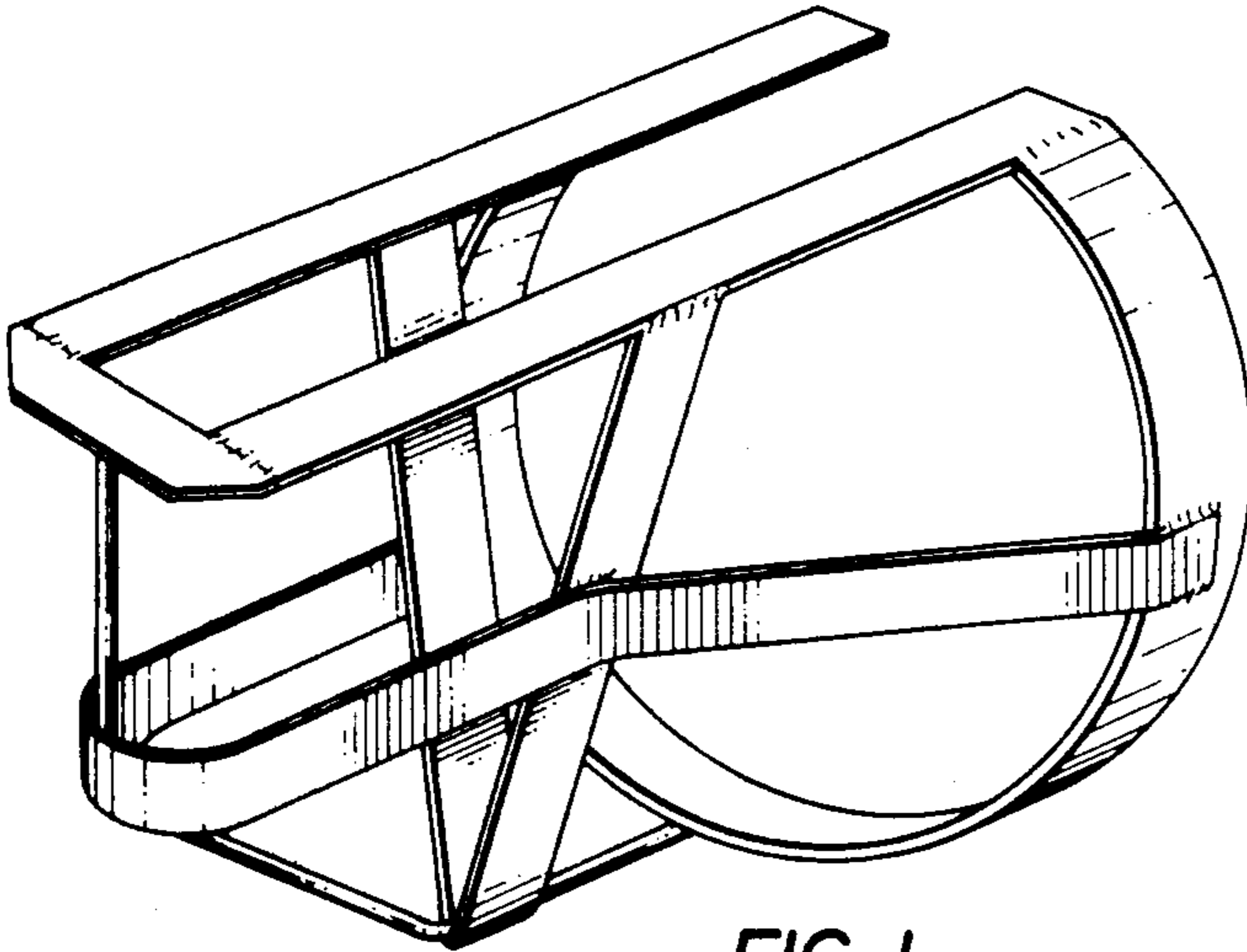


FIG. 1

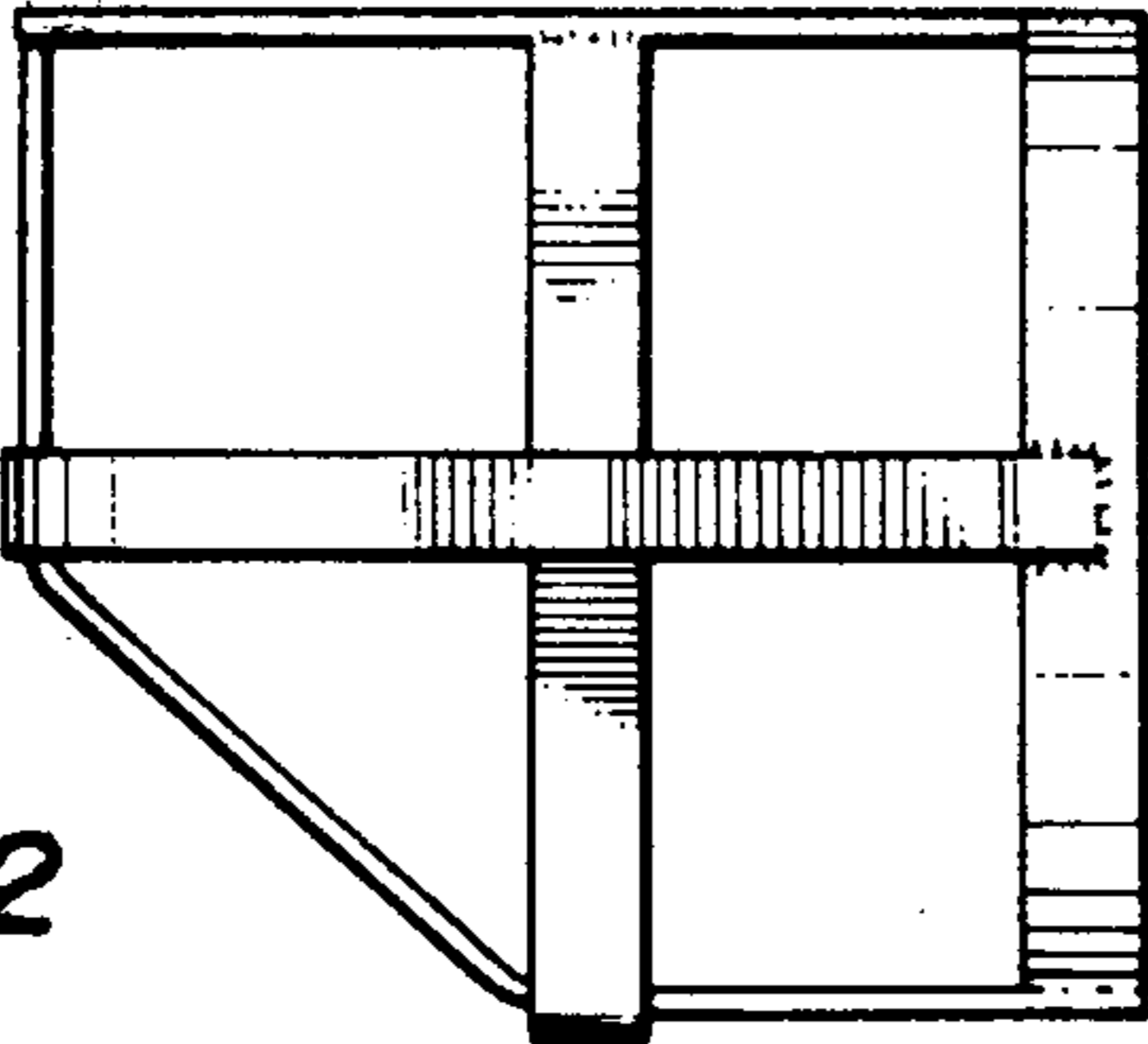


FIG. 2

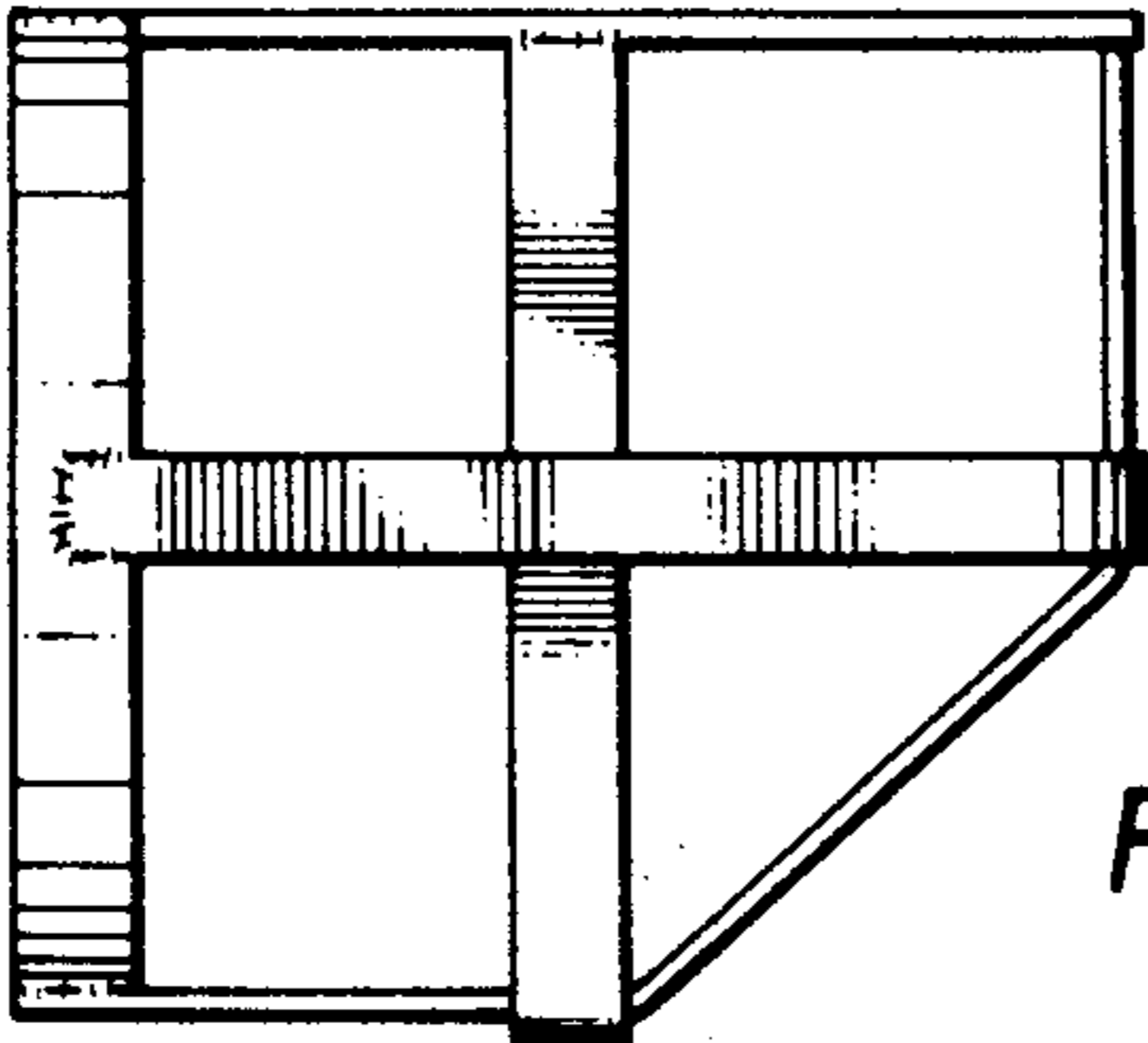


FIG. 3

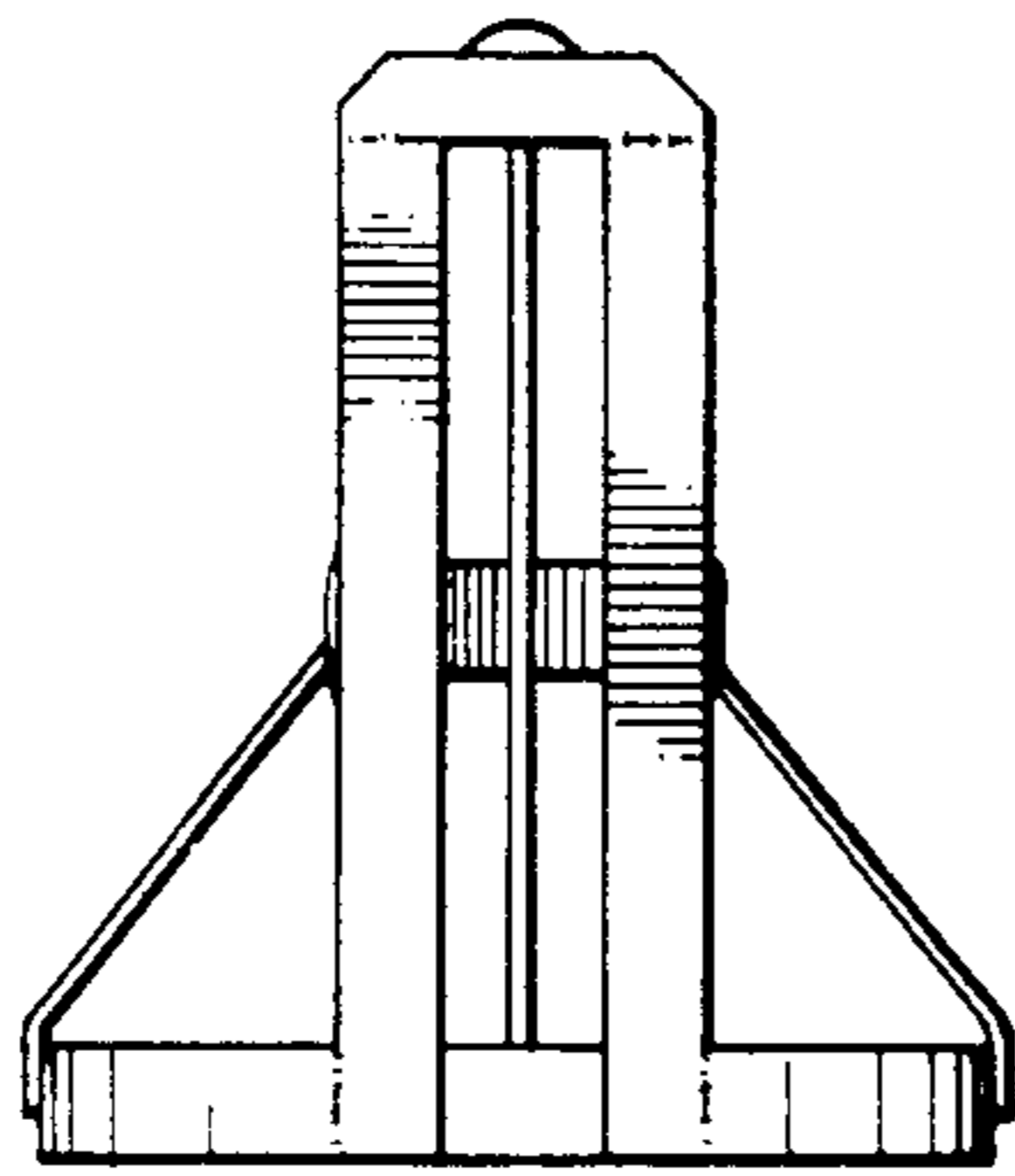


FIG. 4

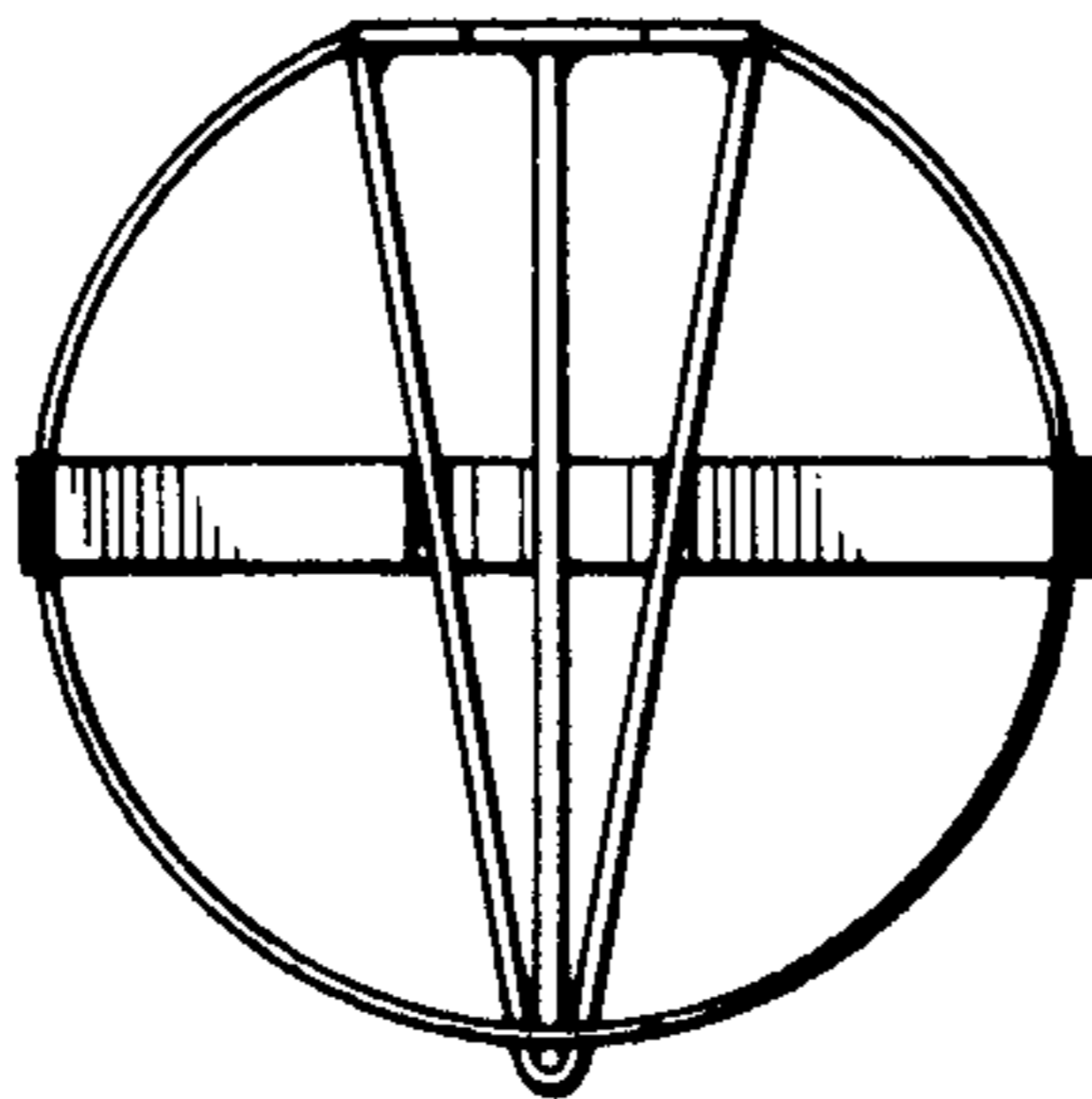


FIG. 5

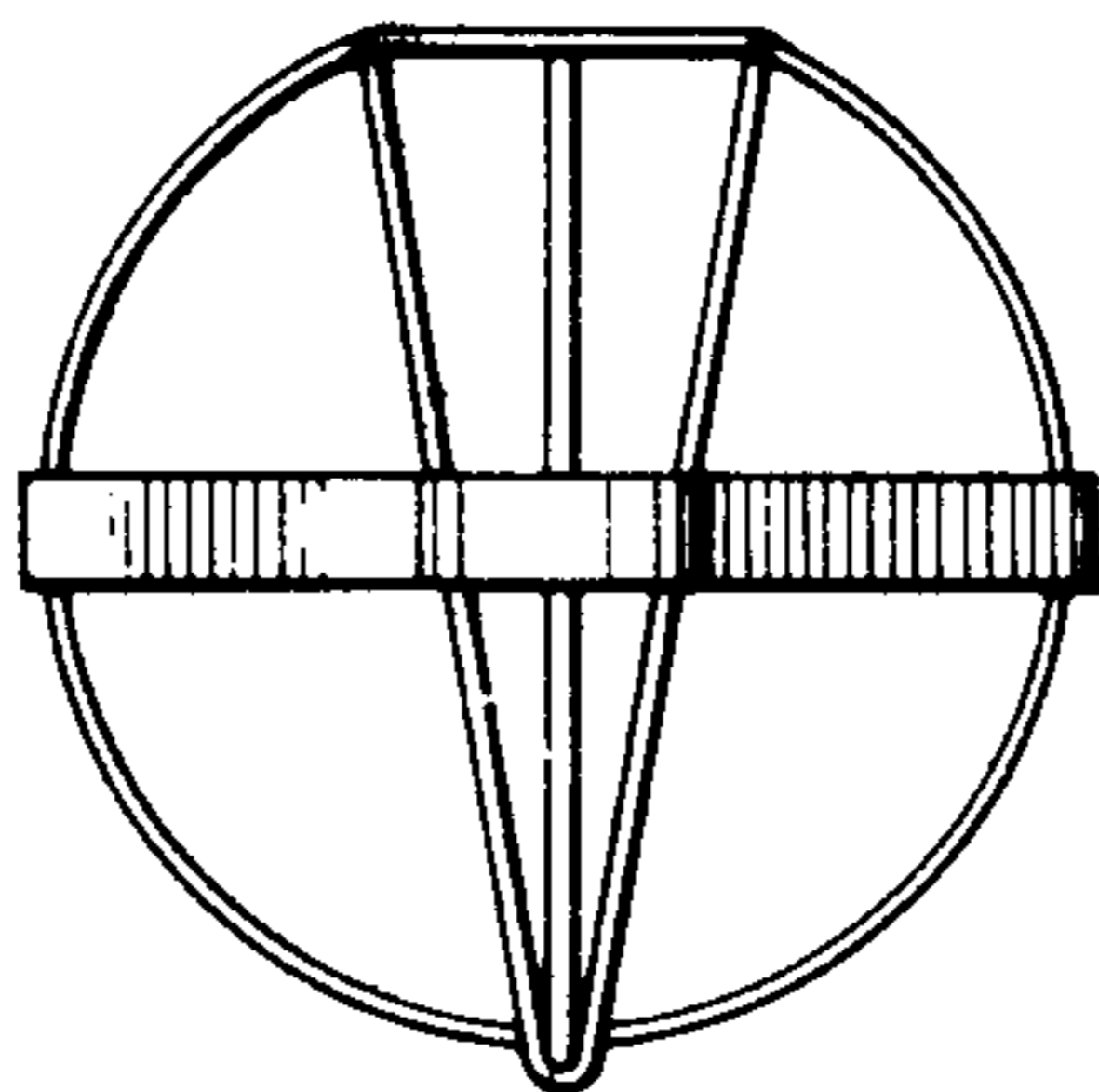


FIG. 6

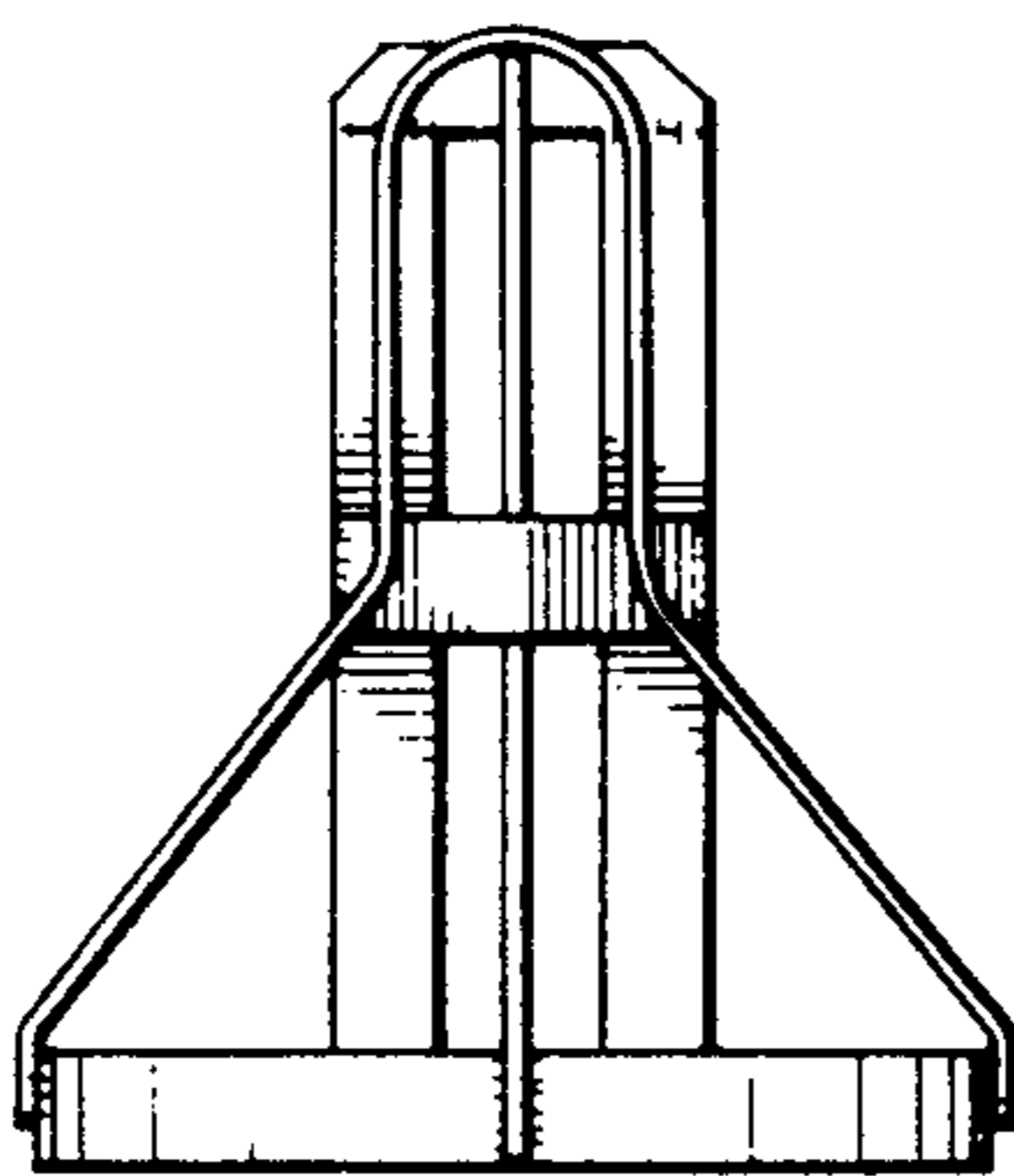


FIG. 7