

[54] DIGITAL CLOCK RADIO

[75] Inventors: **Katsuhiko Makino; Kanzi Kosugi,**  
both of Hirakata, Japan

[73] Assignee: **Matsushita Electric Industrial Co.,**  
Ltd., Kadoma, Japan

[\*\*] Term: **14 Years**

[21] Appl. No.: **817,285**

[22] Filed: **Jul. 20, 1977**

[30] Foreign Application Priority Data  
Jan. 20, 1977 [JP] Japan ..... 52-1470

[51] Int. Cl. .... **D14-03; D10-01**

[52] U.S. Cl. .... **D14/73; D10/2;**  
**D10/15**

[58] Field of Search ..... **D14/1, 5, 20, 68, 71-73,**  
**D14/75, 79, 99; D10/2, 15**

[56] References Cited

U.S. PATENT DOCUMENTS

D. 233,546	11/1974	Taguchi .....	D14/73
D. 238,899	2/1976	Christie et al. ....	D14/73
D. 239,053	3/1976	Christie .....	D14/73
D. 240,159	6/1976	Hoshino .....	D14/73
D. 245,909	9/1977	Kawano .....	D14/73

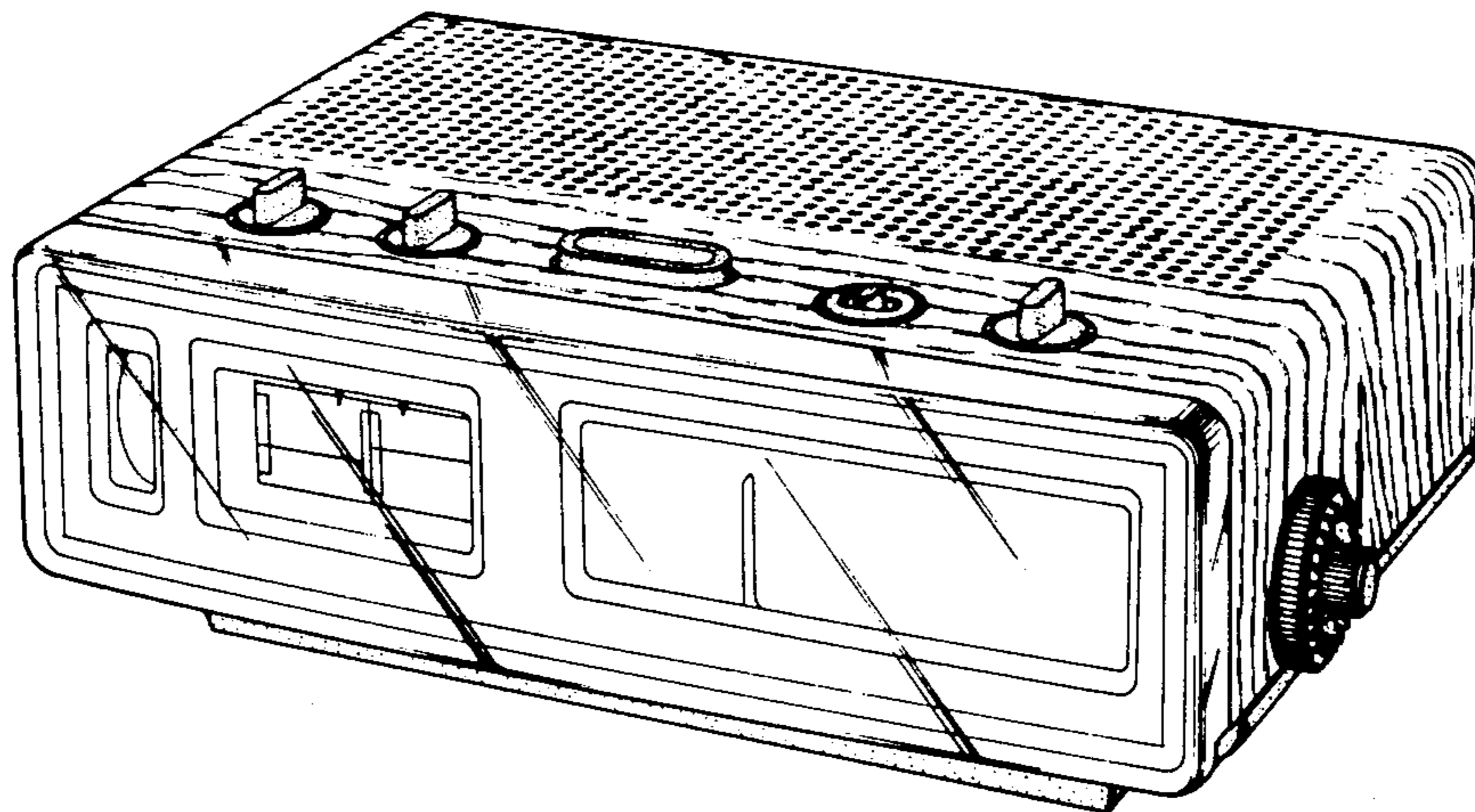
*Primary Examiner*—Joel Stearman  
*Assistant Examiner*—Jane E. Corrigan  
*Attorney, Agent, or Firm*—Richard C. Sughrue

[57] CLAIM

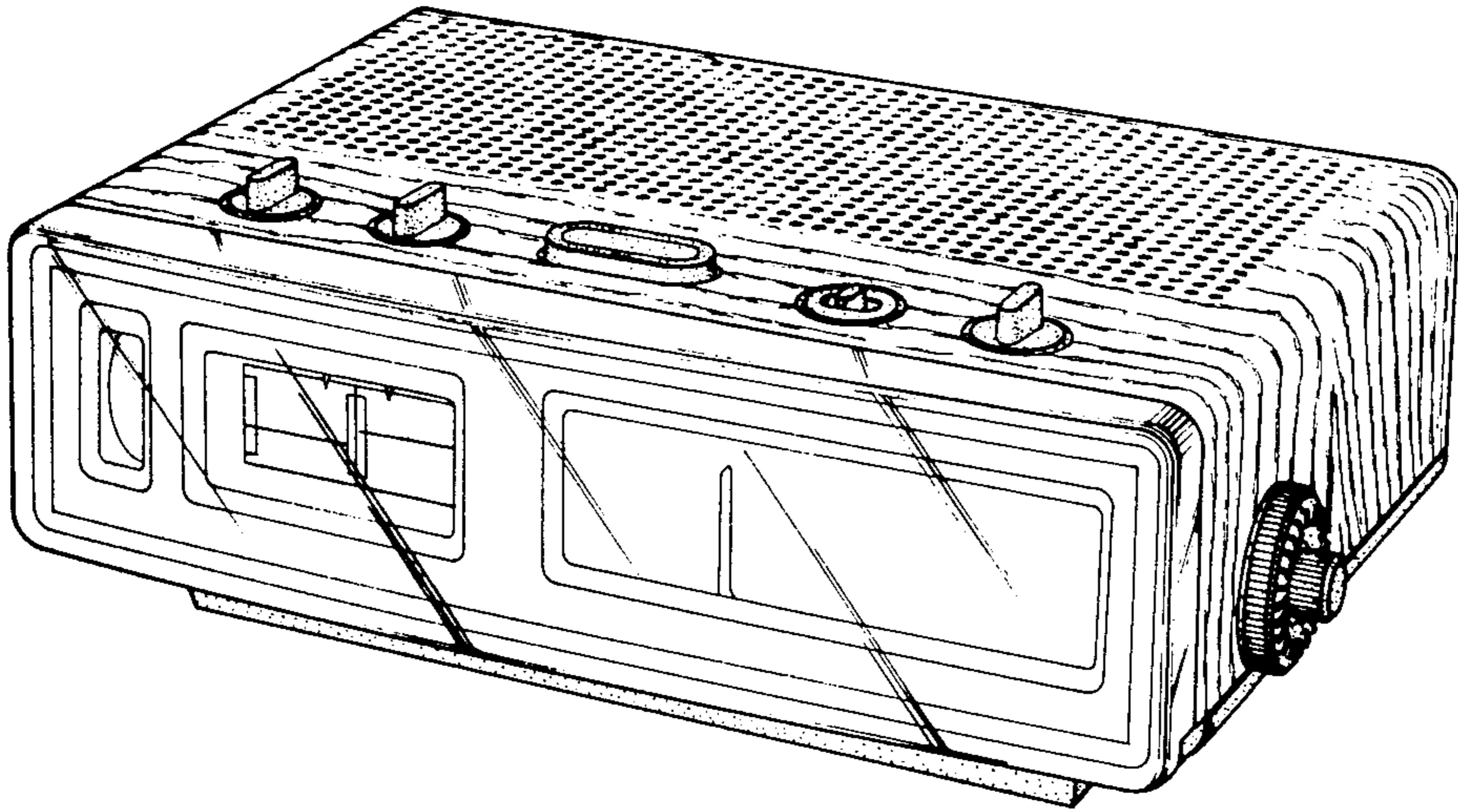
The ornamental design for a digital clock radio, as shown.

DESCRIPTION

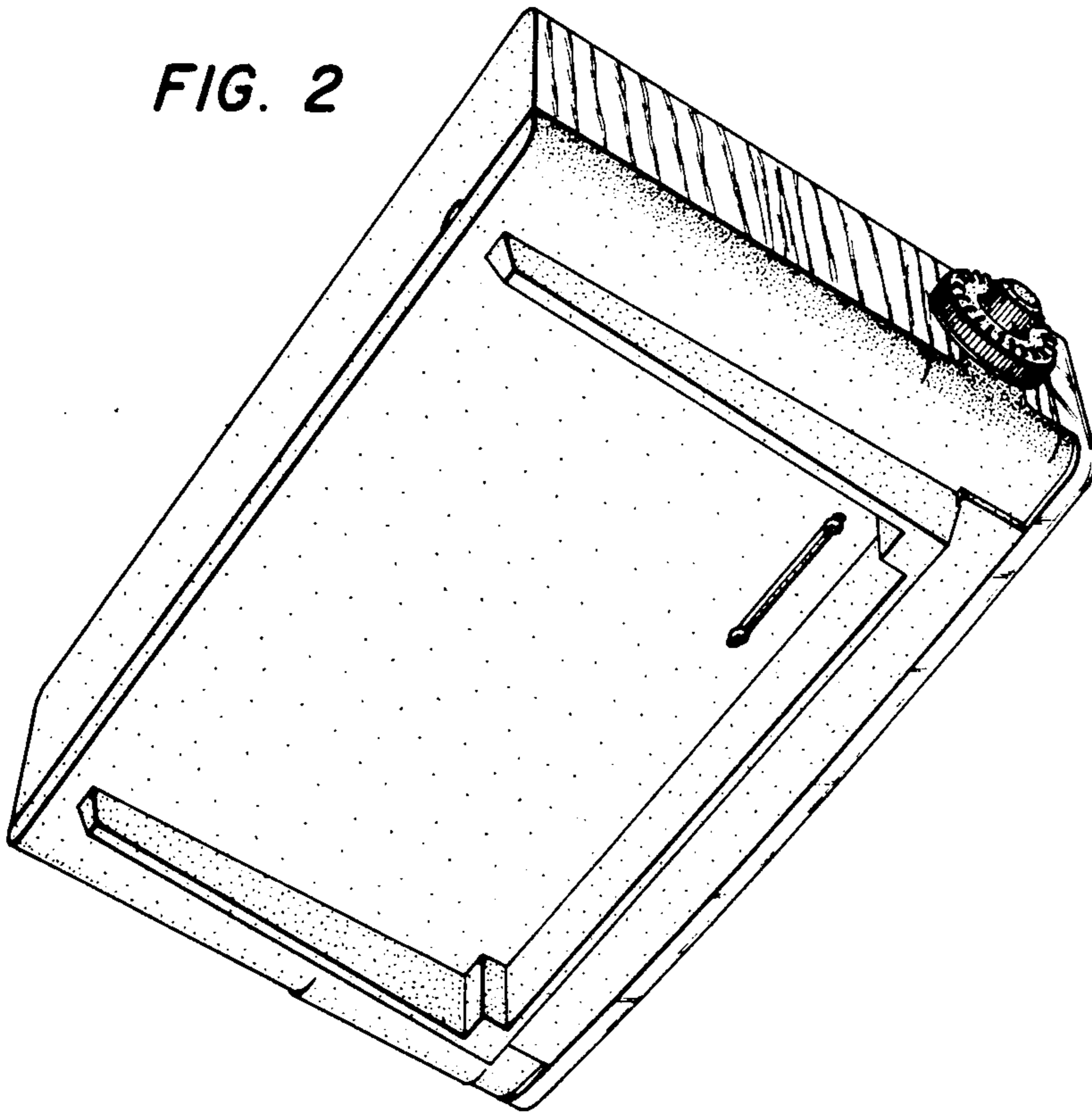
FIG. 1 is a front, top and right side perspective view of a digital clock radio showing our new design; FIG. 2 is a rear, bottom and left side perspective view; FIG. 3 is a front elevational view; and FIG. 4 is a right side elevational view



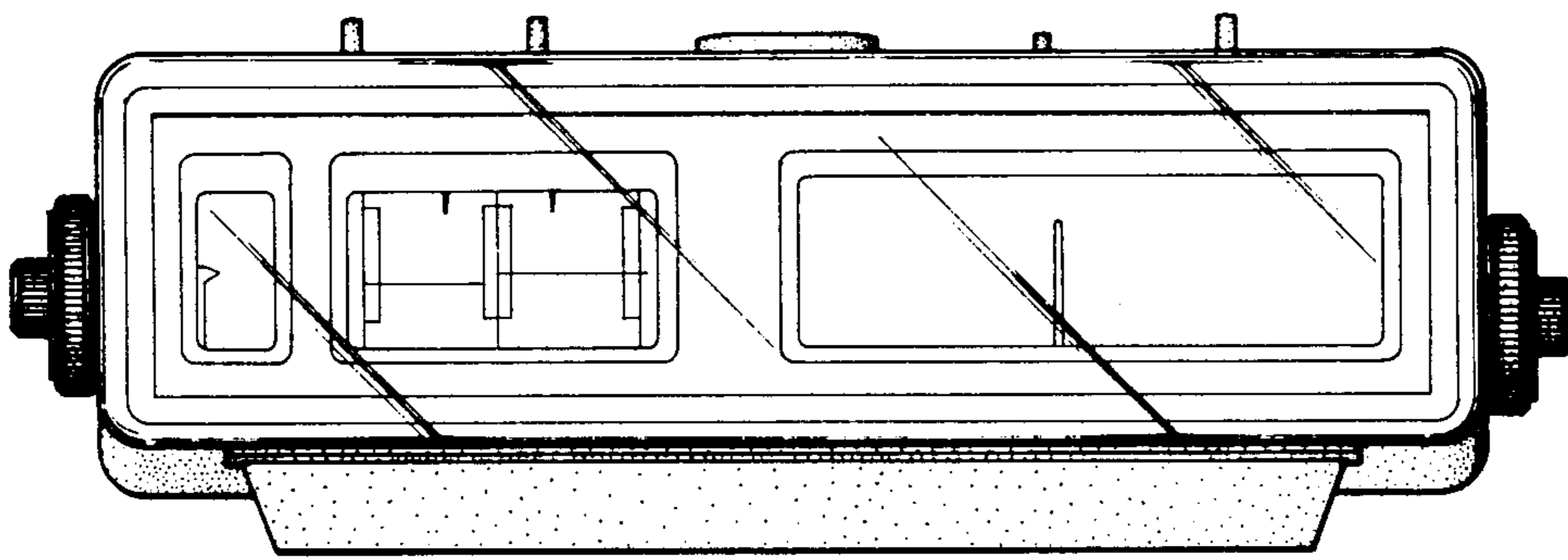
*FIG. 1*



*FIG. 2*



*FIG. 3*



*FIG. 4*

