

[54] **PLUG-IN MEMORY MODULE CARTRIDGE FOR ELECTRONIC TRANSLATOR, CALCULATOR AND INFORMATION RETRIEVAL DEVICE**

[75] Inventor: **Michael Levy**, Plantation, Fla.

[73] Assignee: **Lexicon Corporation**, Miami, Fla.

[\*\*] Term: **14 Years**

[21] Appl. No.: **964,066**

[22] Filed: **Nov. 17, 1978**

[51] Int. Cl. .... **D14-02; D14-99**

[52] U.S. Cl. .... **D14/11**

[58] Field of Search ..... **D14/10, 11; D21/13; 360/131, 137, 93, 99; 242/194, 198-200, 55.19 A; 206/387, 444, 503, 504, 304; 354/340, 342, 343; 273/DIG. 28; 235/145 R**

[56] **References Cited**

**U.S. PATENT DOCUMENTS**

2,911,215	11/1959	Cousino .....	242/55.19 A
3,420,463	1/1969	Cousino .....	360/132 X
4,032,729	6/1977	Koistinen .....	235/145 R

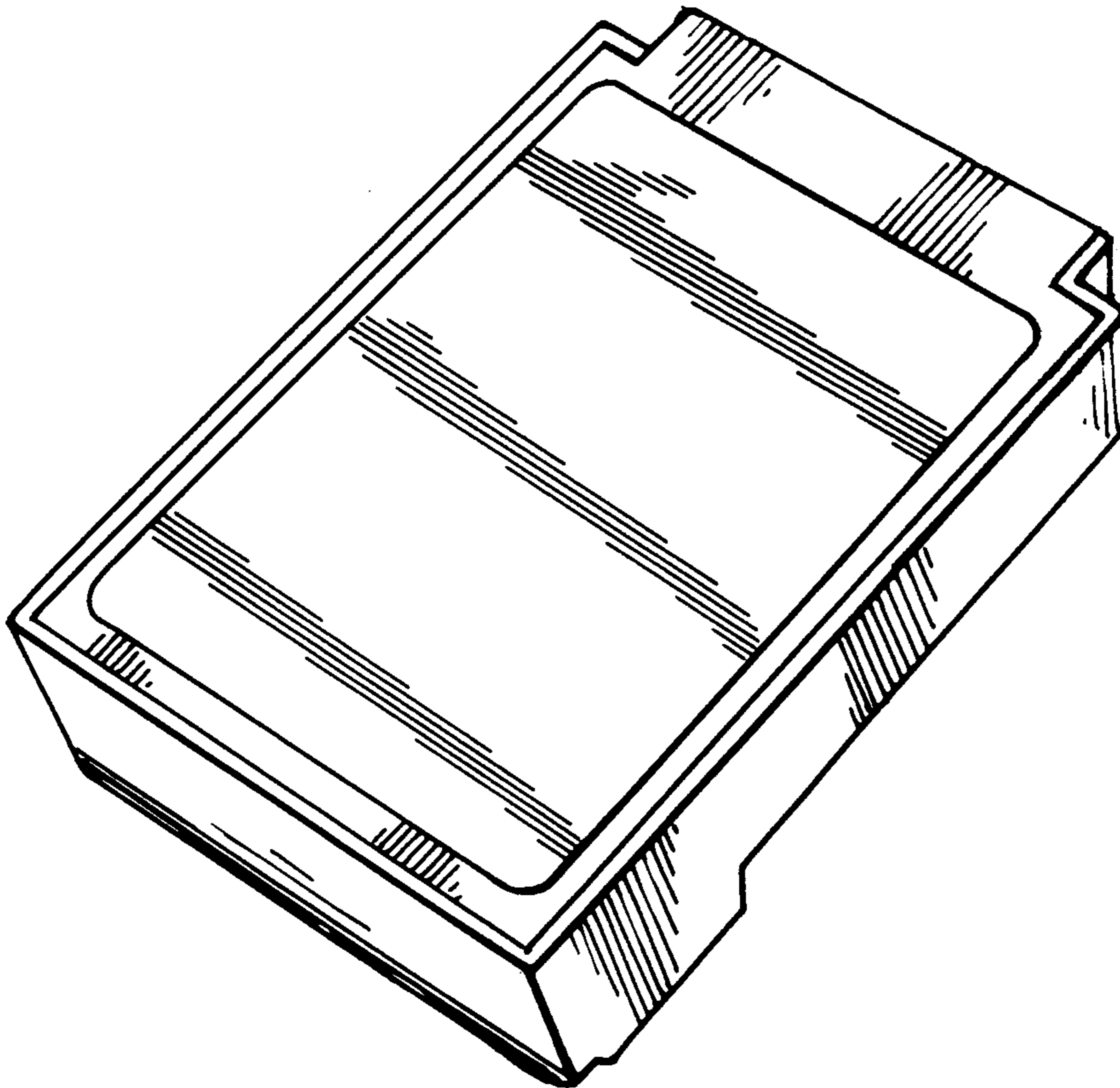
*Primary Examiner*—Peter Feldman  
*Attorney, Agent, or Firm*—John W. Malley

[57] **CLAIM**

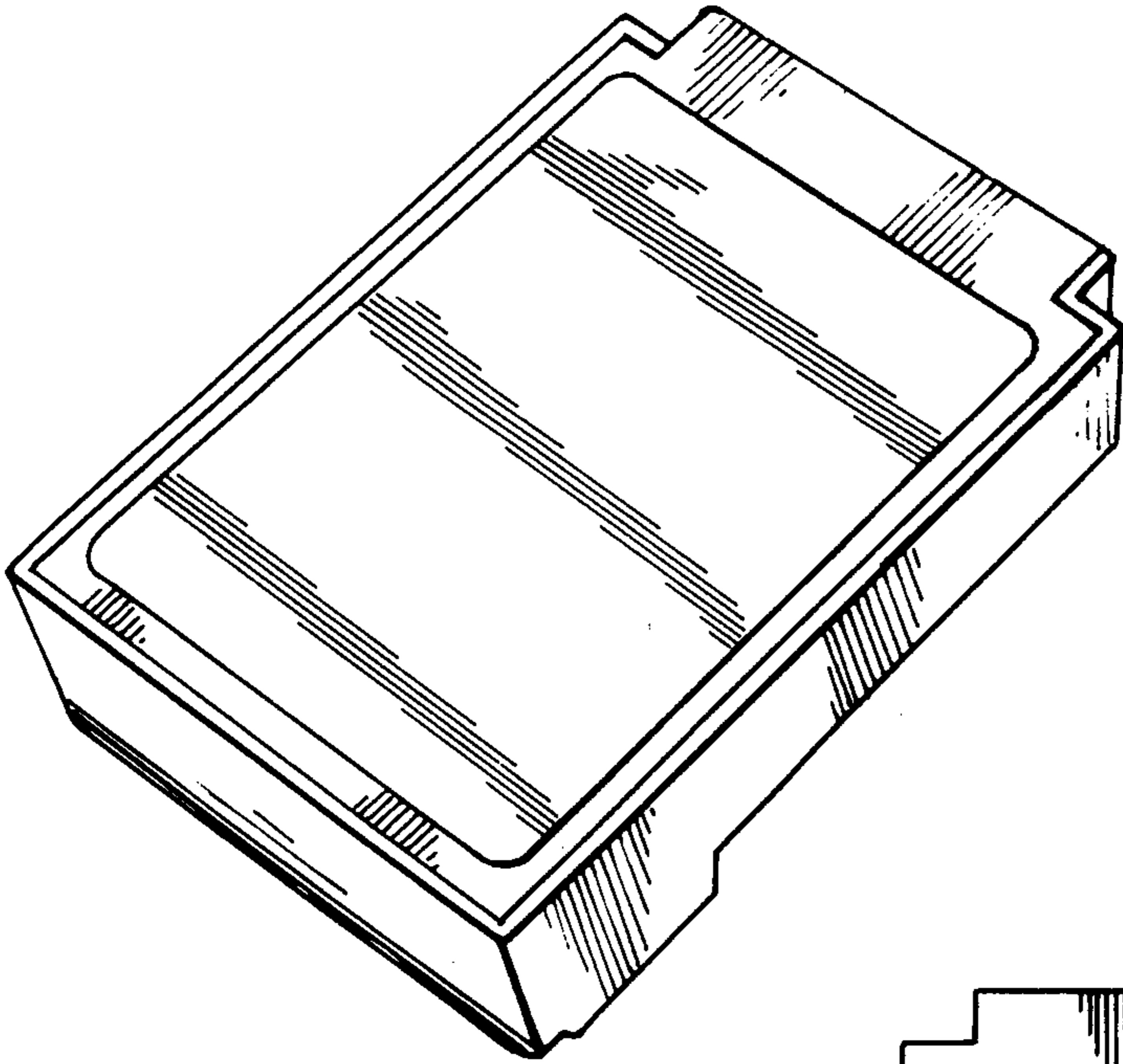
The ornamental design for a plug-in memory module cartridge for electronic translator, calculator and information retrieval device, as shown and described.

**DESCRIPTION**

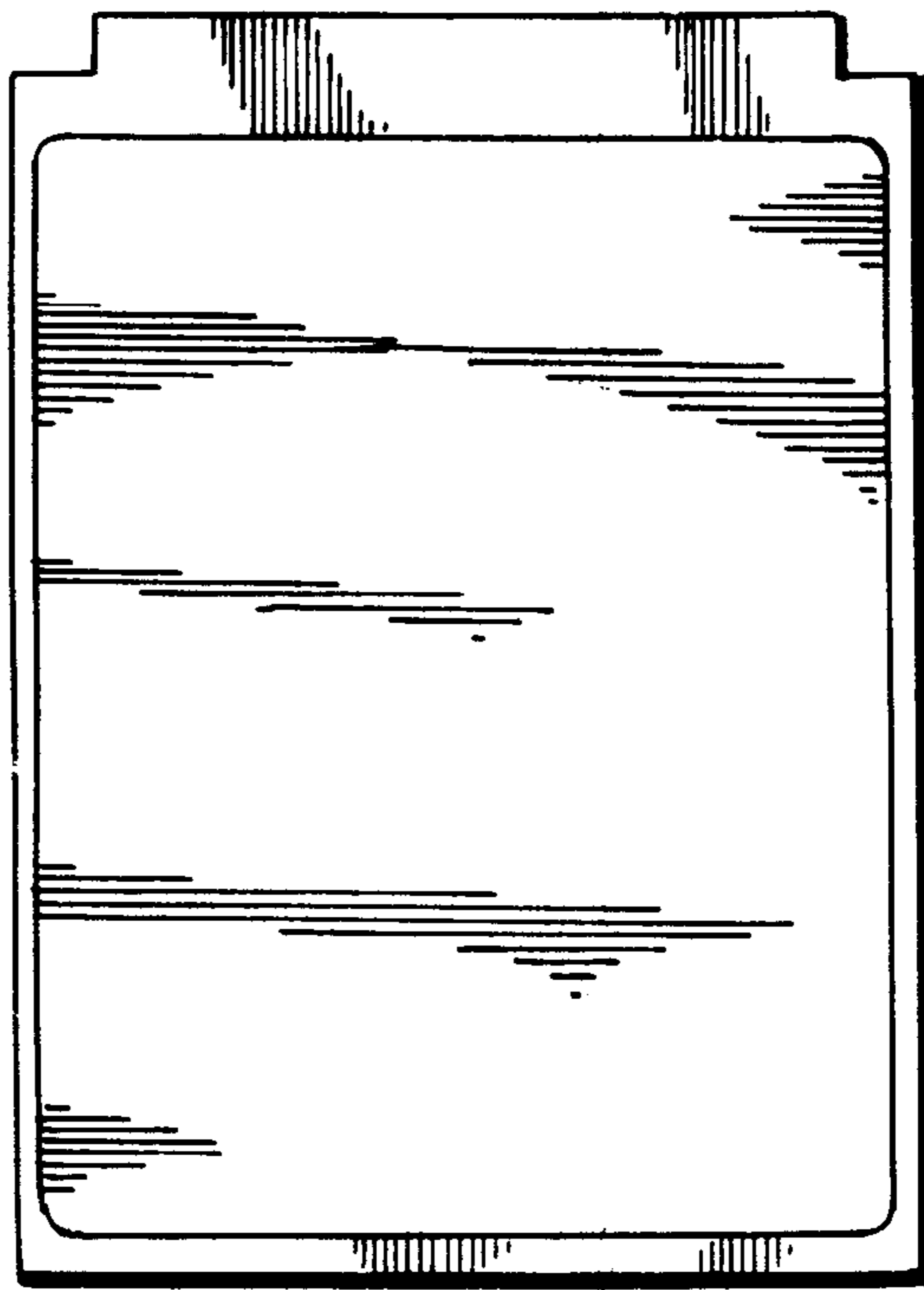
FIG. 1 is a perspective view of a plug-in memory module cartridge for electronic translator, calculator and information retrieval device showing my new design; FIG. 2 is a top plan view thereof; FIG. 3 is a left side elevational view thereof, the opposite side being a mirror image of the side shown; FIG. 4 is a front elevational view thereof; FIG. 5 is a rear elevational view thereof; and FIG. 6 is a bottom plan view thereof.



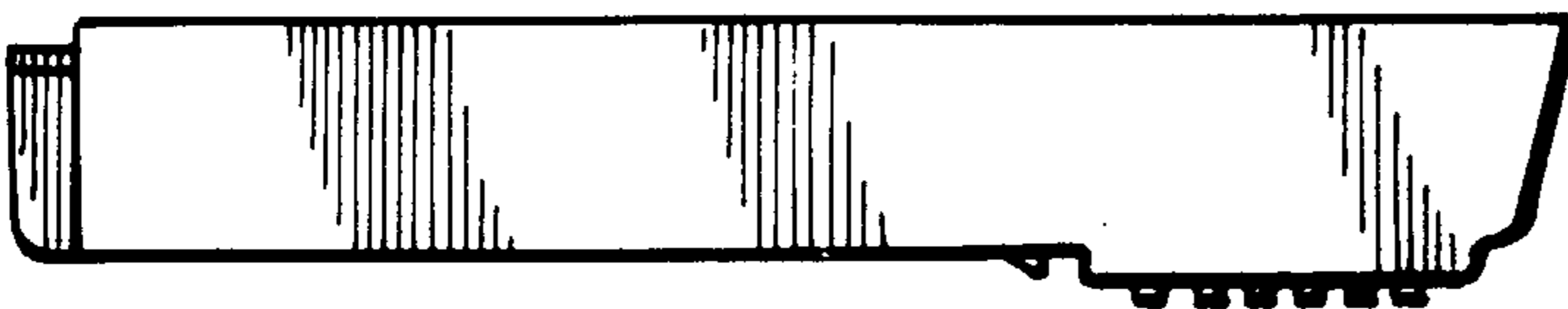
*Fig. 1*

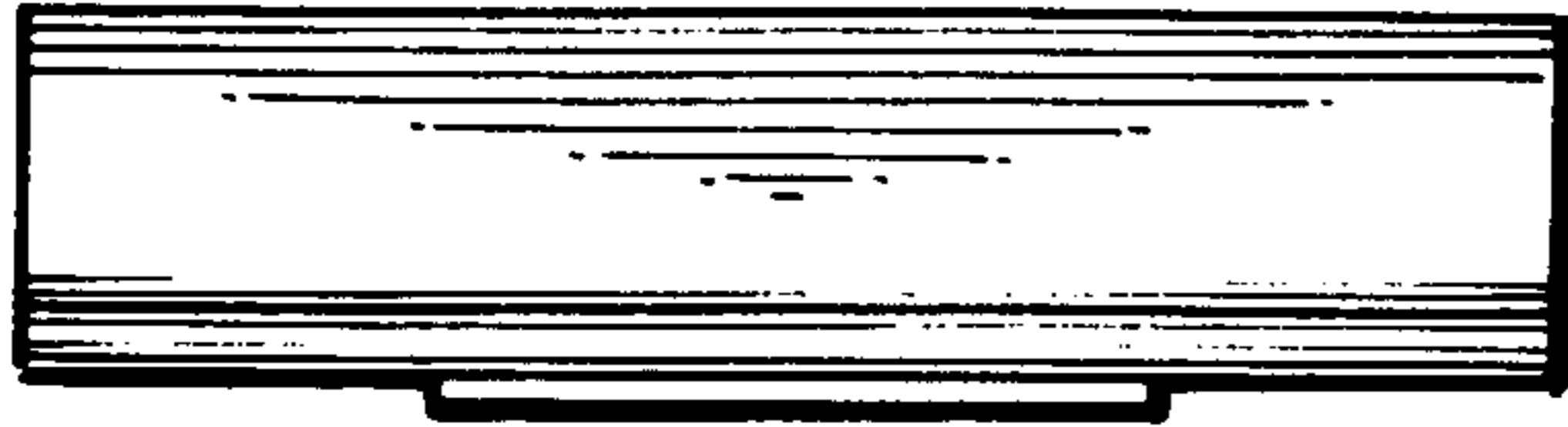


*Fig. 2*



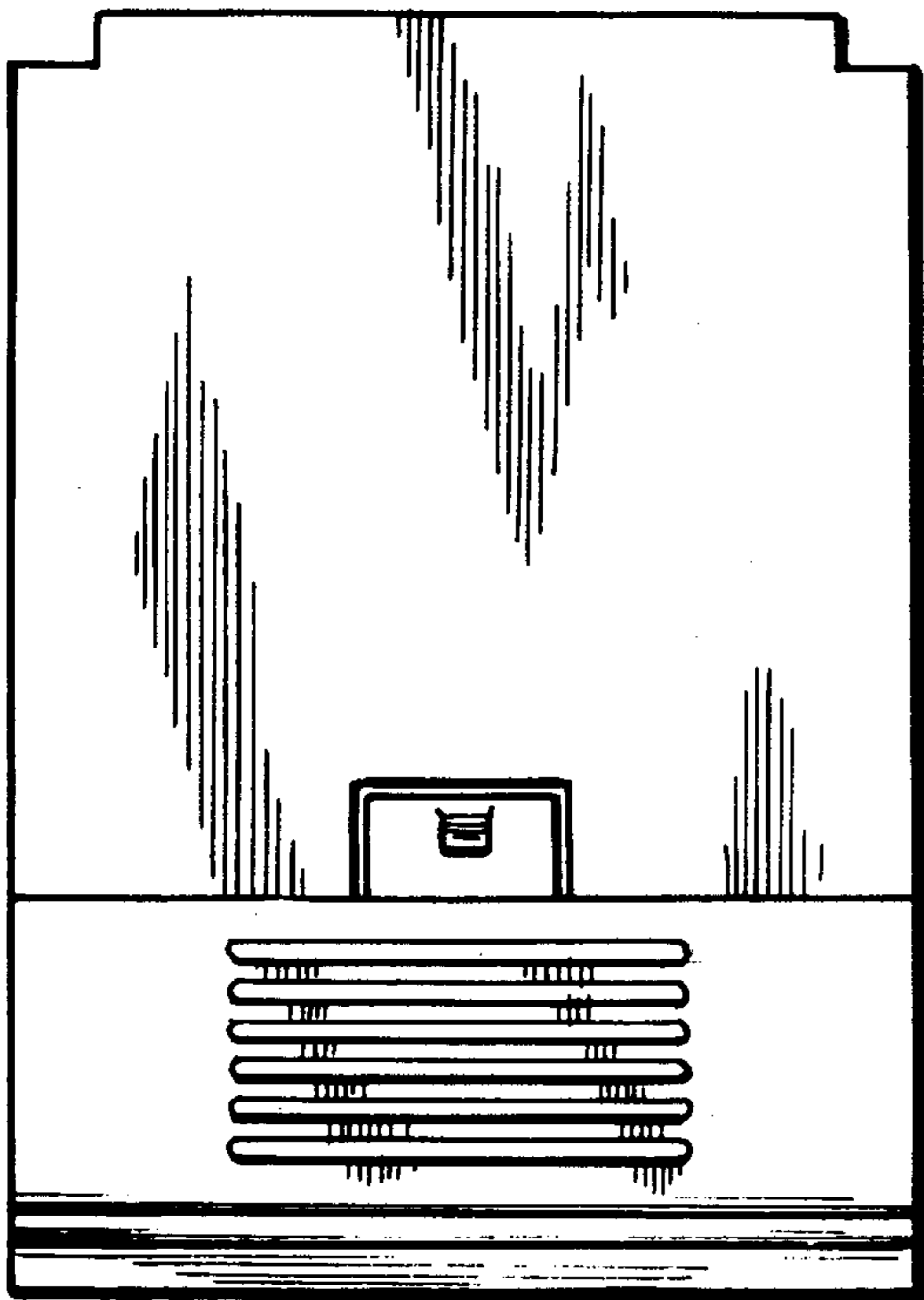
*Fig. 3*





*Fig. 4*

*Fig. 5*



*Fig. 6*