

[54] LIMIT SET MODULE

[75] Inventor: Seymour Barth, Searingtown, N.Y.

[73] Assignee: Astrosystems, Inc., New York, N.Y.

[**] Term: 14 Years

[21] Appl. No.: 913,881

[22] Filed: Jun. 8, 1978

[51] Int. Cl. D13-03

[52] U.S. Cl. D13/32

[58] Field of Search D13/32; 200/5 R, 5 A, 200/47, 155 R, 293, 296, 297, 303

[56] References Cited

U.S. PATENT DOCUMENTS

D. 230,486 2/1974 MacDonald D13/32
2,594,090 4/1952 Stadum 200/47 X

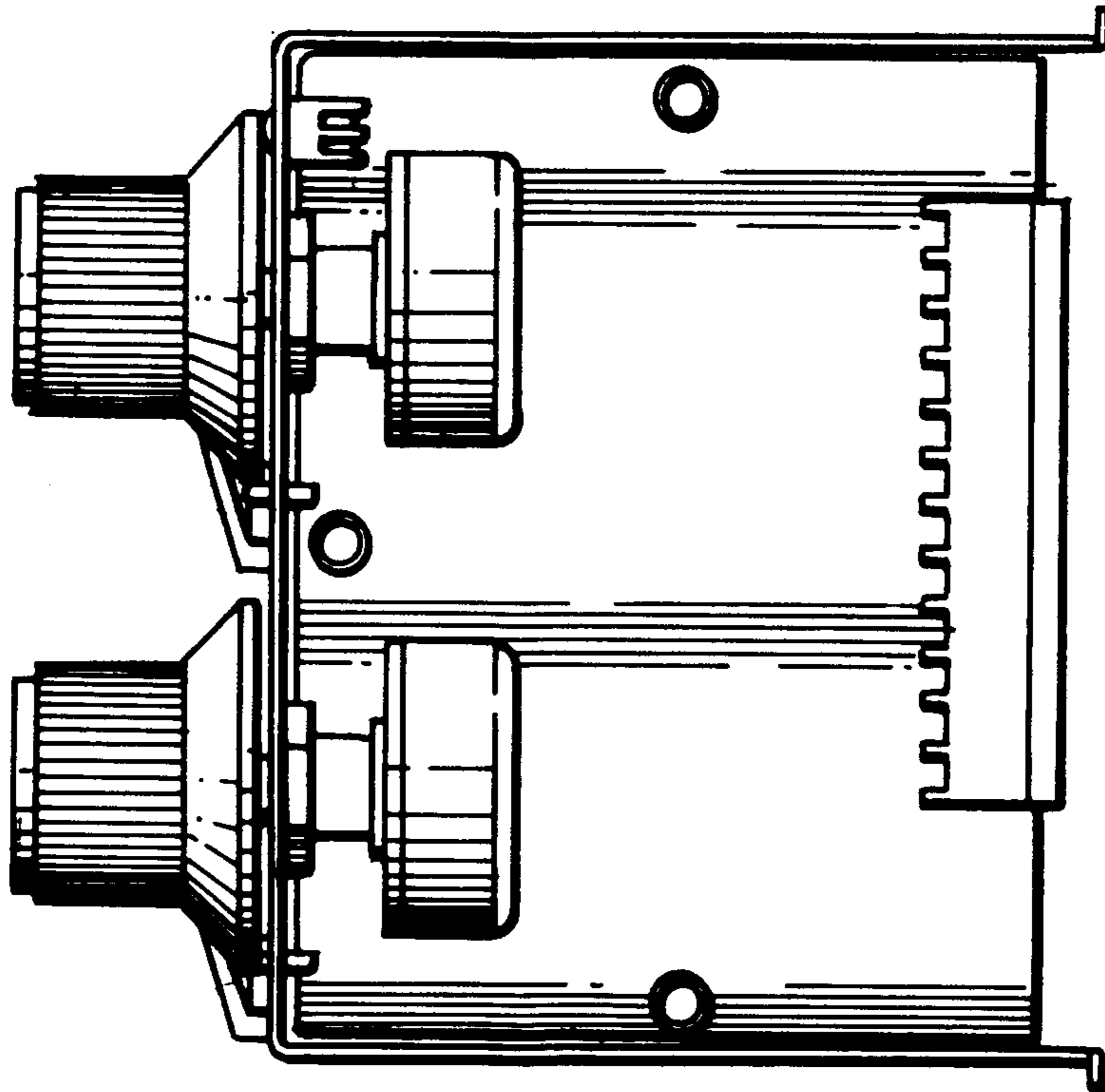
Primary Examiner—Susan J. Lucas
Attorney, Agent, or Firm—Davidson C. Miller

[57] CLAIM

The ornamental design for a limit set module, as shown.

DESCRIPTION

FIG. 1 is a front view of the limit set module, FIG. 2 is a rear view of said module, FIGS. 3 and 4 are side views of said module, and FIG. 5 is a top view thereof.



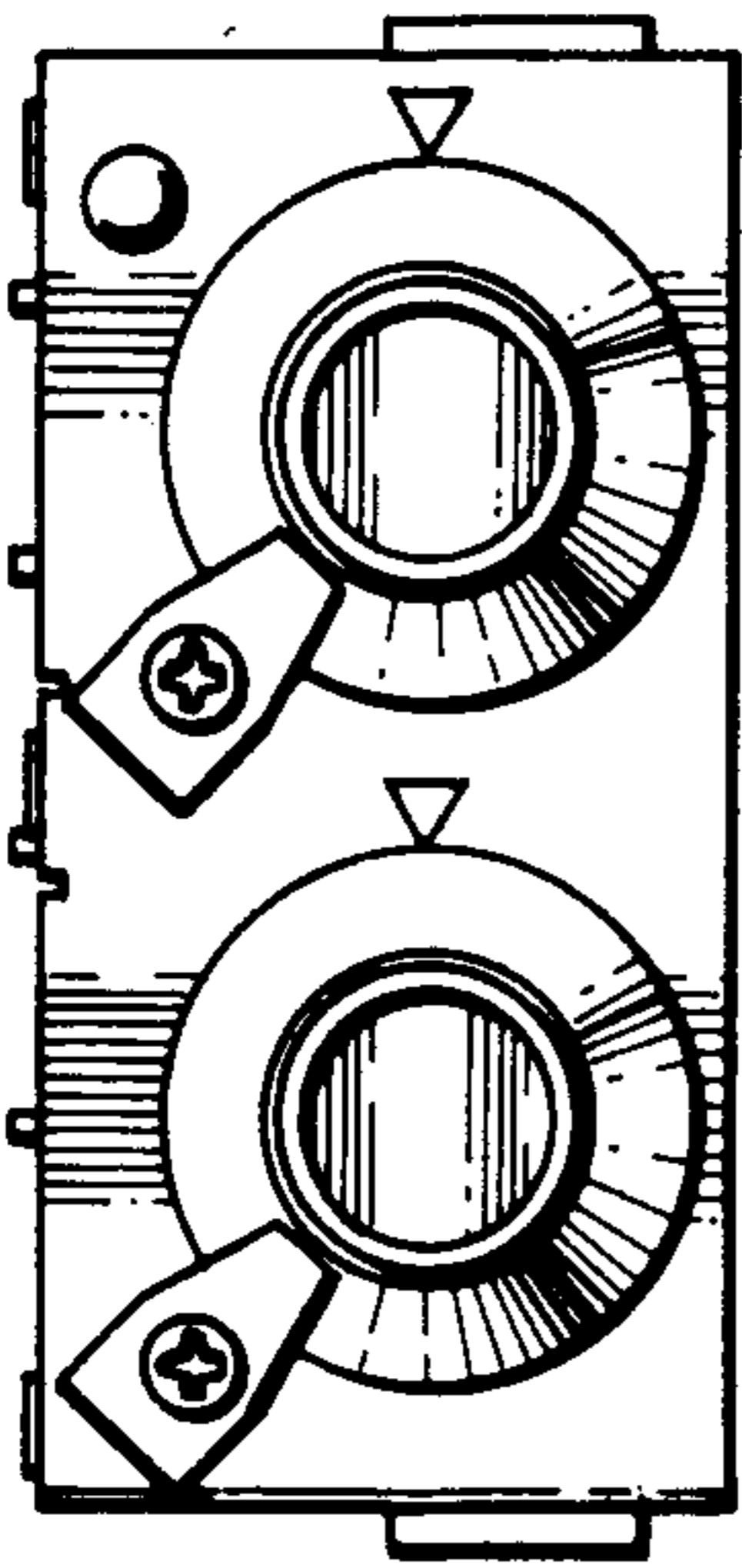


Fig. 1

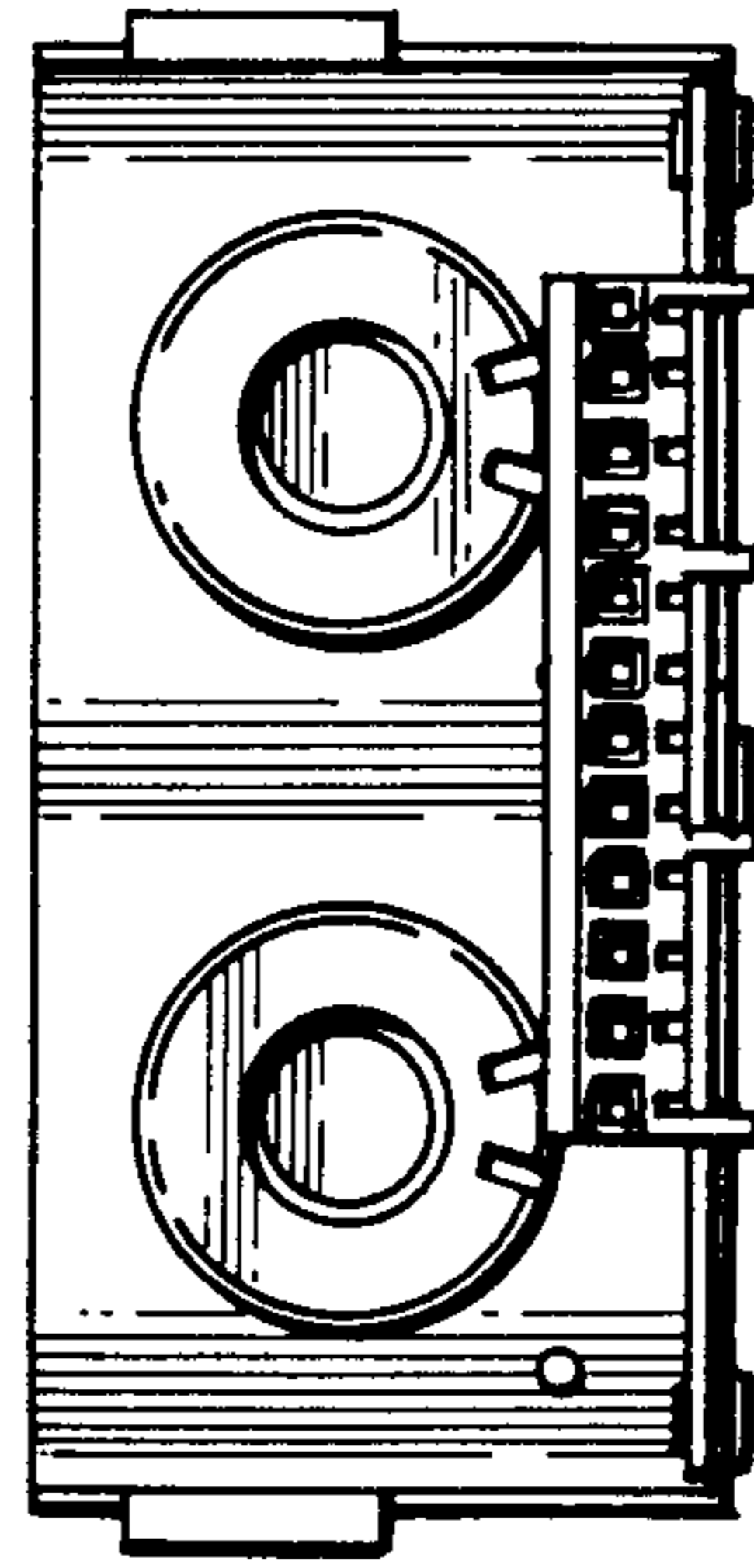


Fig. 2

Fig. 3

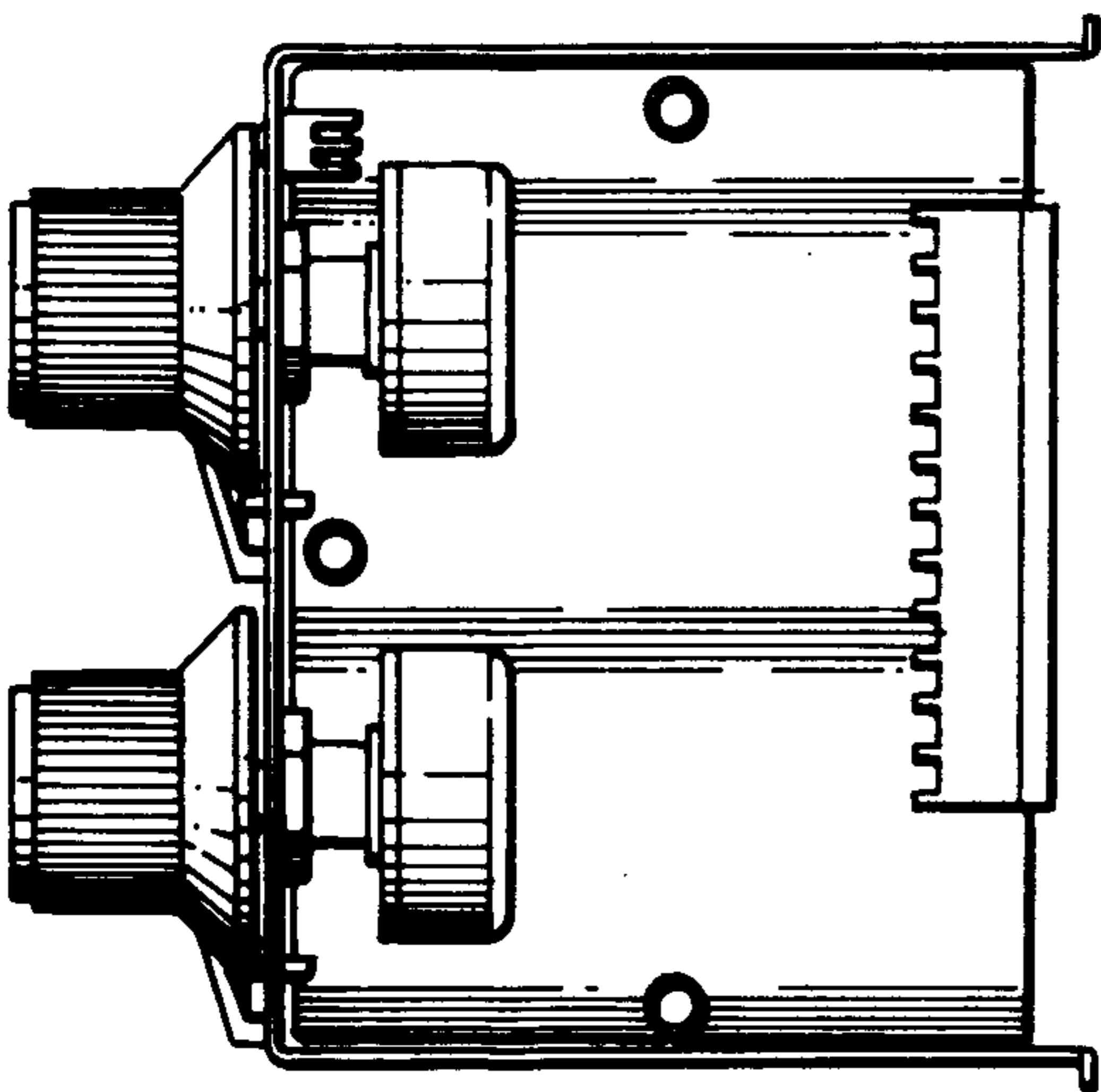


Fig. 4

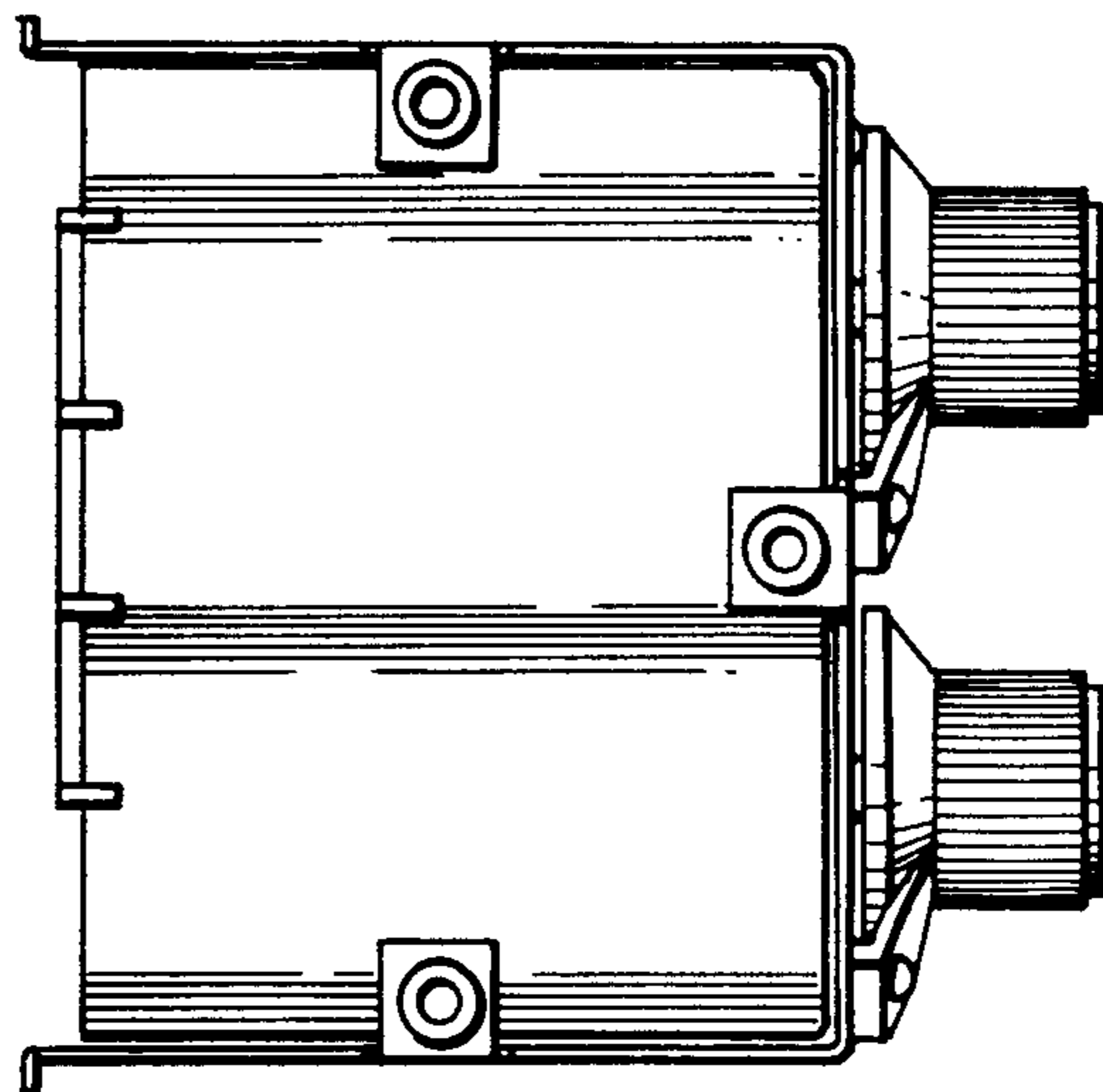


Fig. 5

