

[54] ELECTRICAL TRANSFORMER

[76] Inventor: George L. Payne, 345 Bedford Center Rd., Bedford Hills, N.Y. 10507

[\*\*] Term: 14 Years

[21] Appl. No.: 968,593

[22] Filed: Dec. 11, 1978

[51] Int. Cl. .... D13-02

[52] U.S. Cl. .... D13/4; D13/41

[58] Field of Search ..... 336/65, 67, 90, 92; 220/3.2, 3.3, 3.8; 174/52 R; D13/4, 40, 41

[56] References Cited

PUBLICATIONS

Electrical World, 12-15-1976, p. 74, Transformer.

Thordarson Transformer Catalog #400-D, 1939, p. 12, Transformer, FIG. 2K.

United Transformer Co. Catalog, 1955, p. 30, Transformer.

Primary Examiner—Susan J. Lucas  
Attorney, Agent, or Firm—Paul S. Martin

[57] CLAIM

The ornamental design for an electrical transformer, as shown and described.

DESCRIPTION

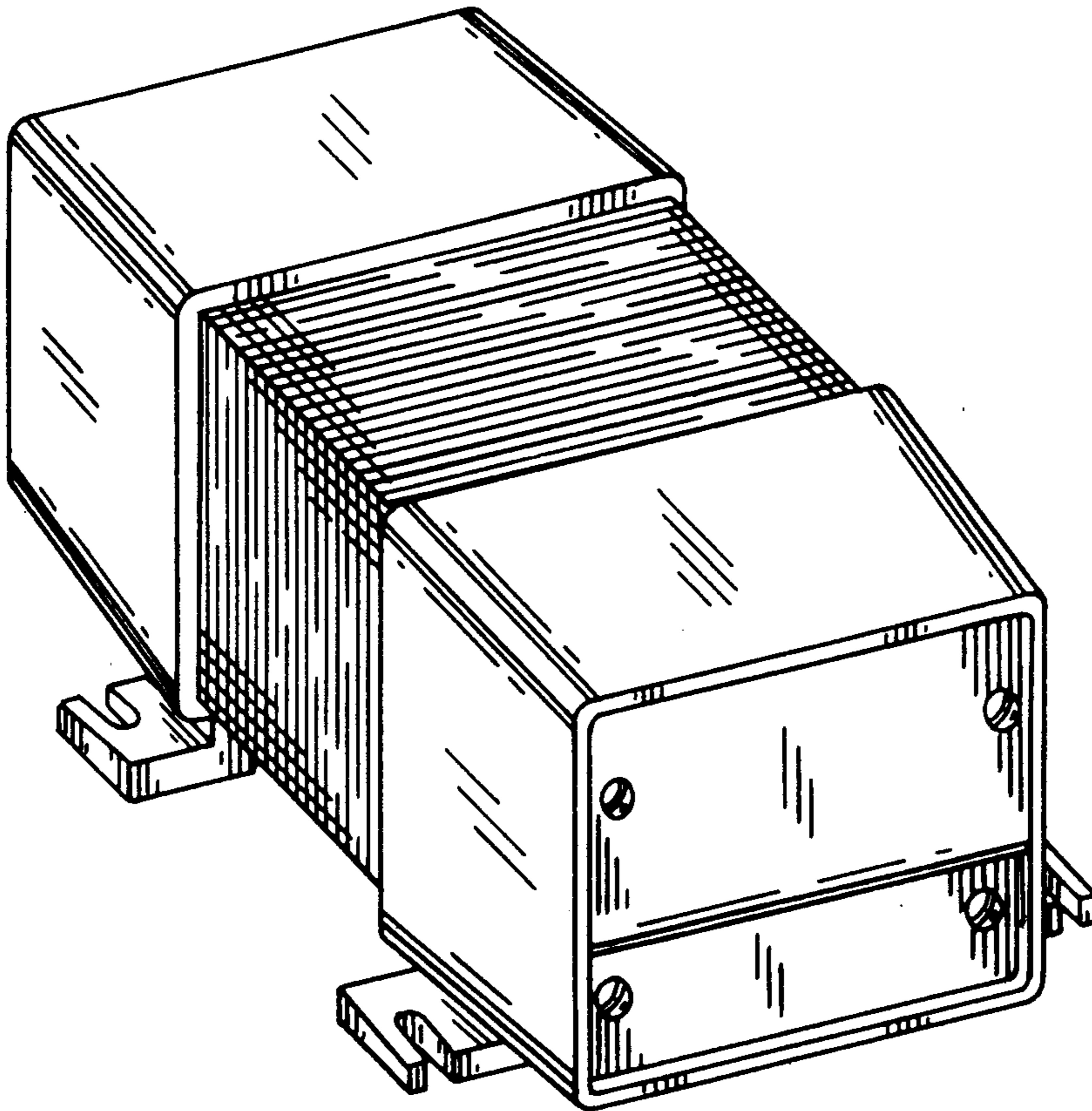
FIG. 1 is a top view of the electrical transformer of the present invention.

FIG. 2 is a side elevation thereof, the other side being a mirror image.

FIG. 3 is an end elevation thereof.

FIG. 4 is an elevation of the end opposite that shown in FIG. 3.

FIG. 5 is a perspective view taken from the end and side thereof.



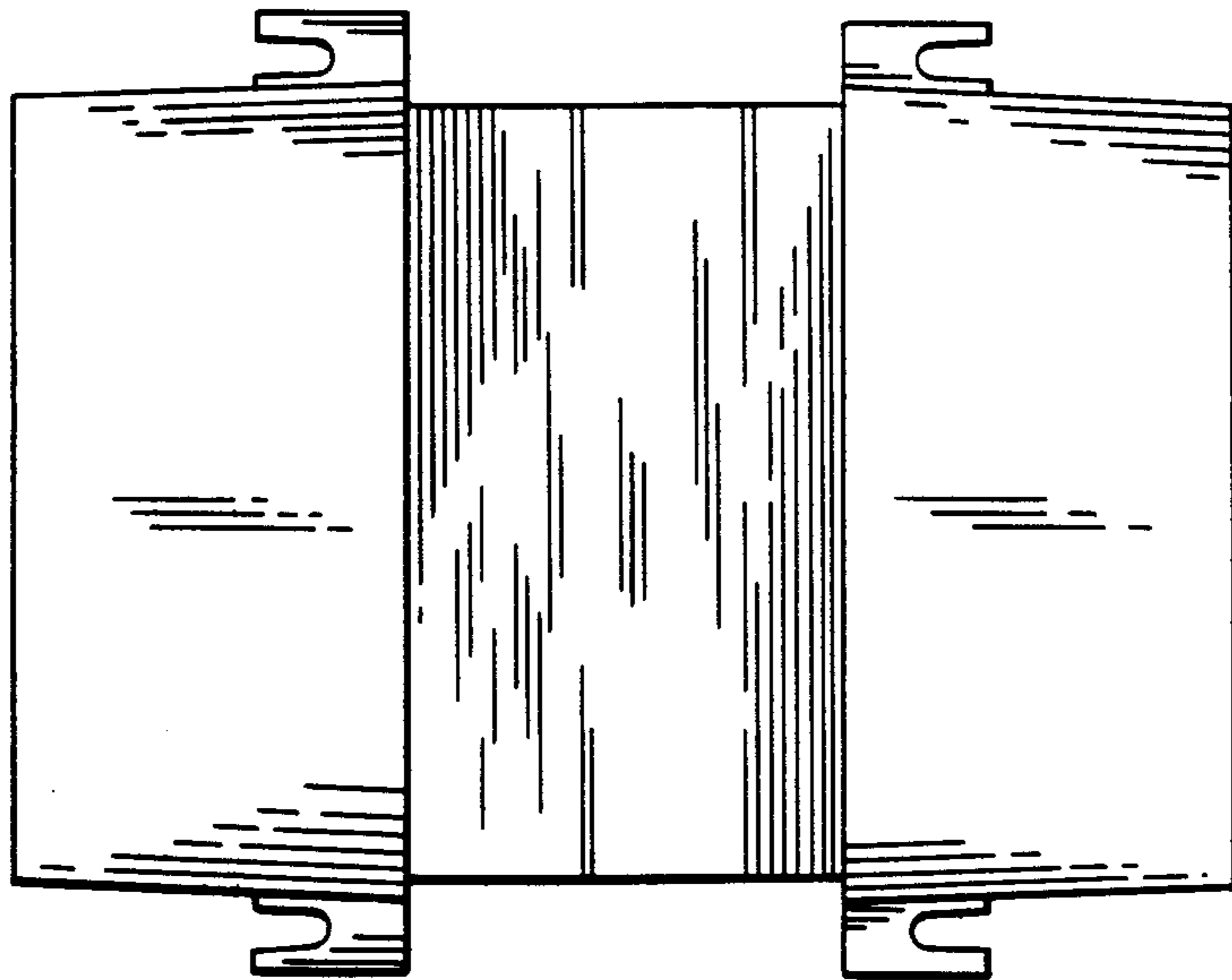


FIG. 1

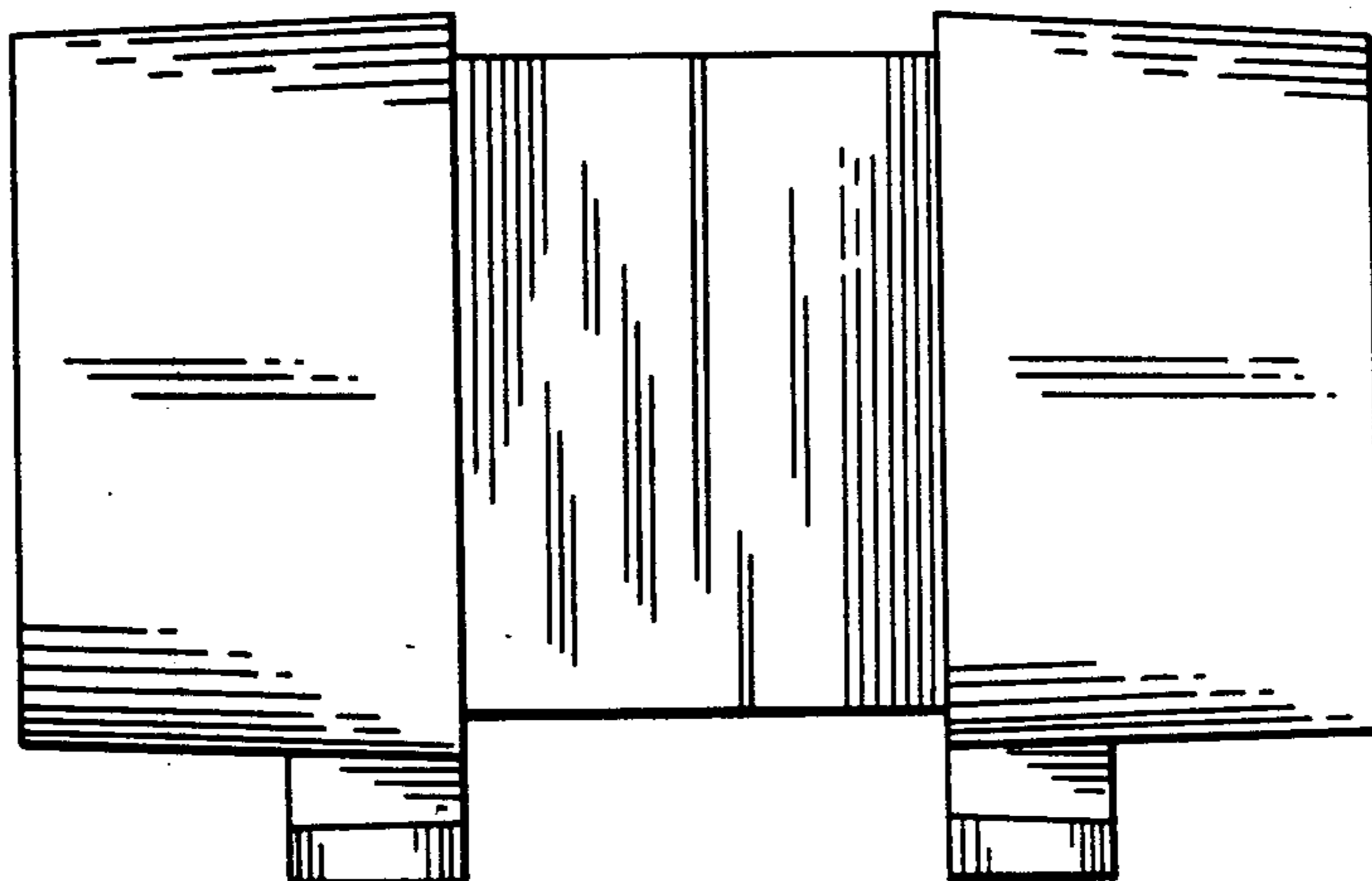


FIG. 2

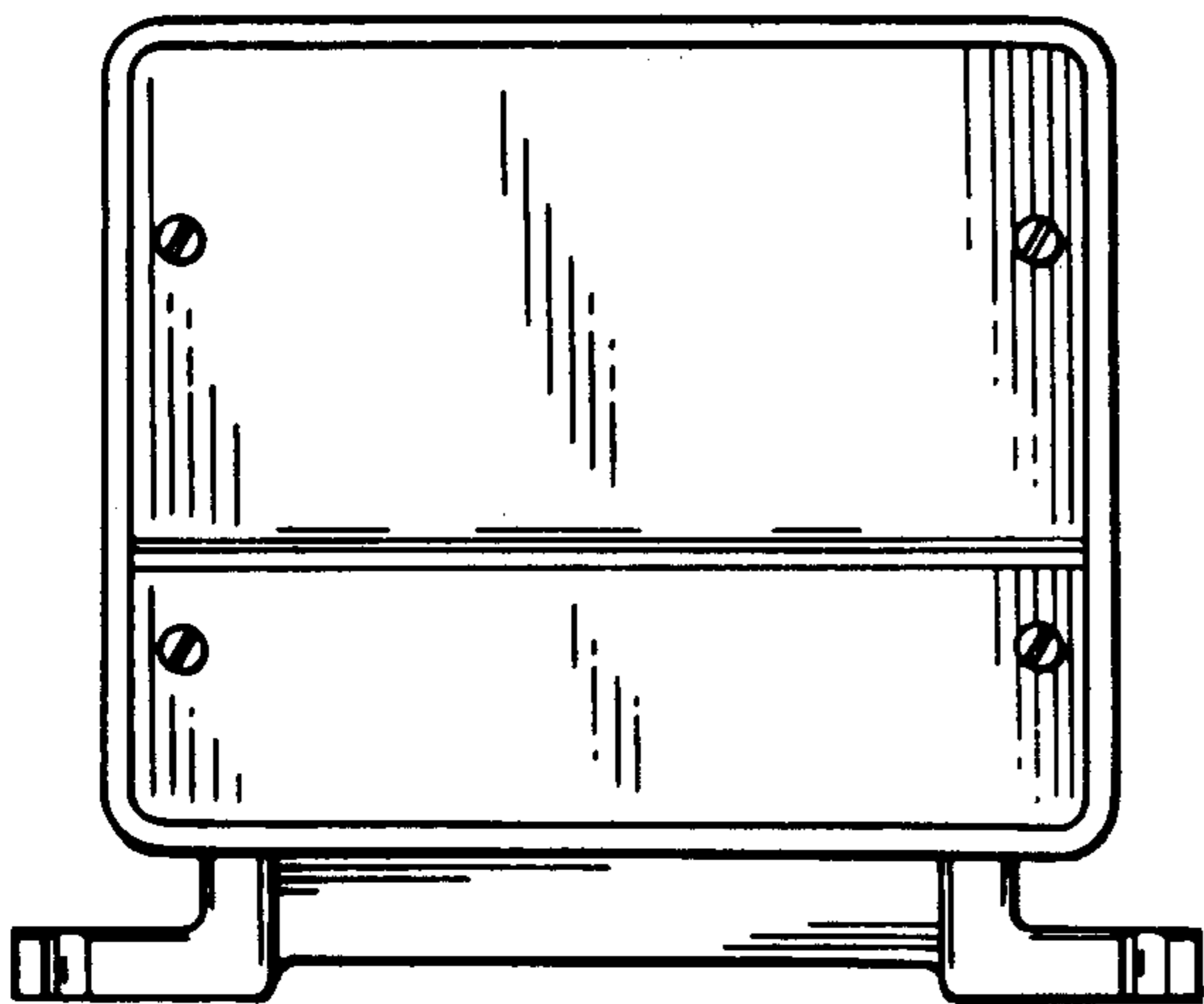


FIG. 3

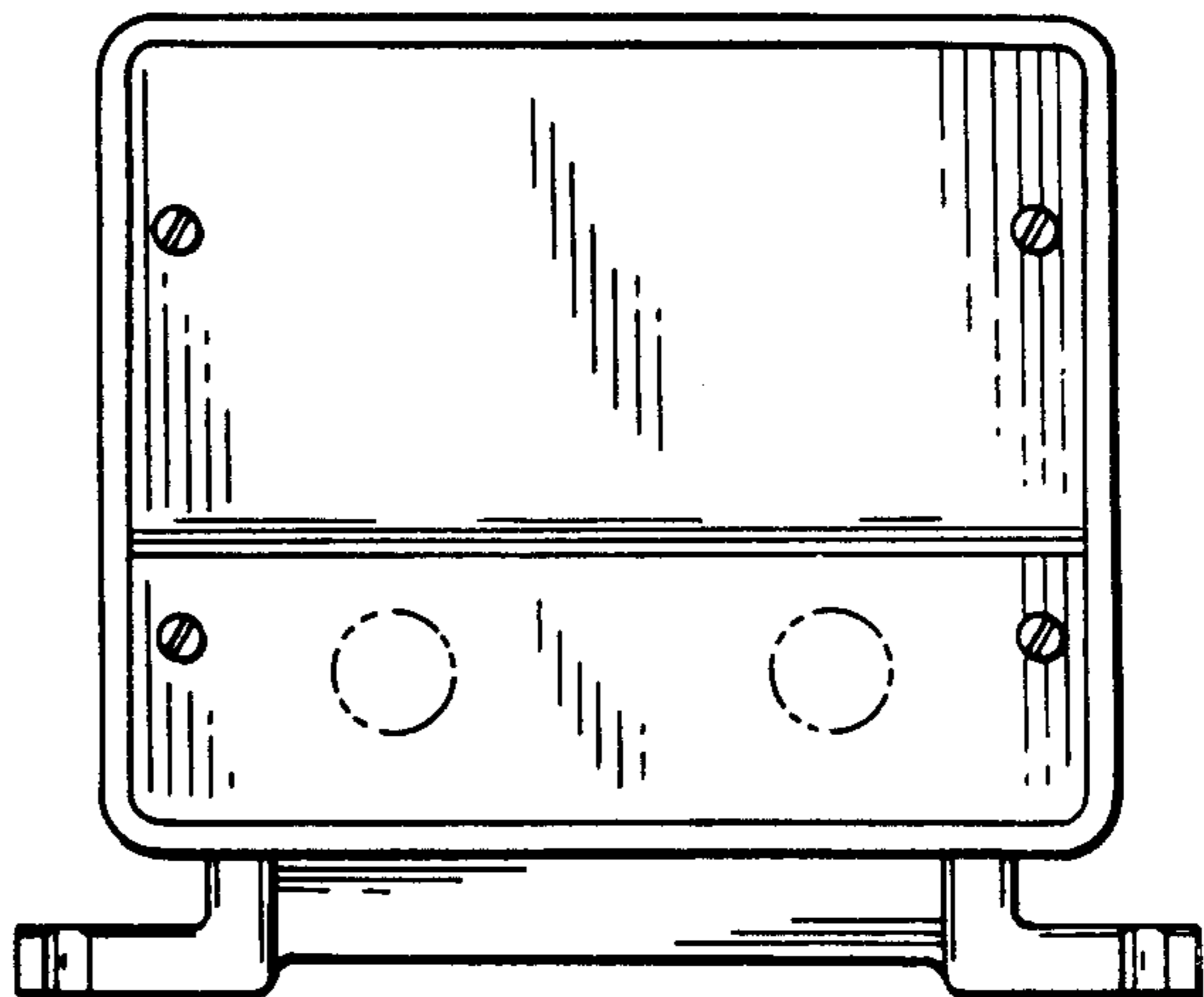


FIG. 4

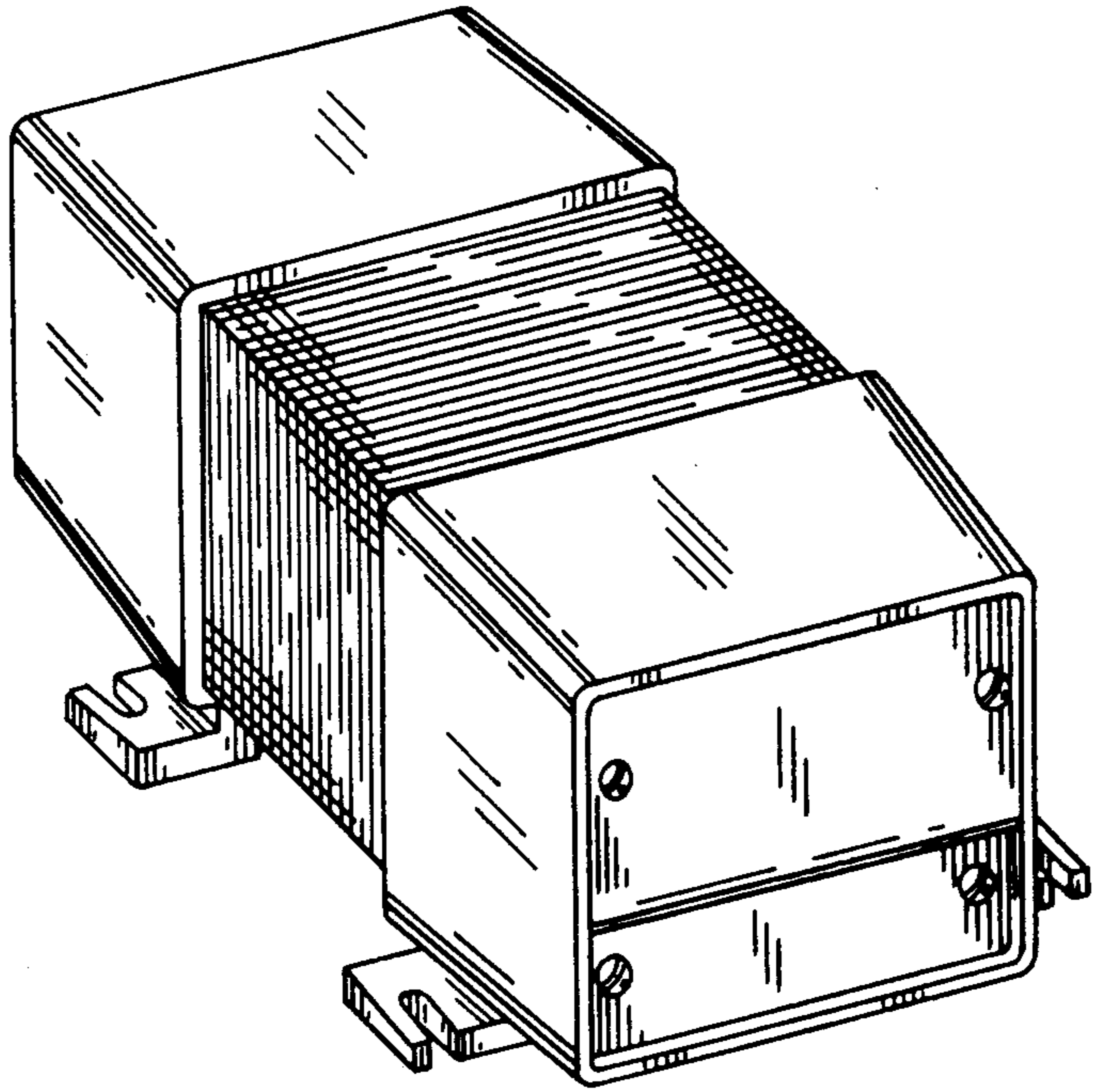


FIG. 5