

[54] WINDSHIELD WIPER UNIT  
[76] Inventor: Paul Ellinwood, 1618 Fairway Dr.,  
Clinton, Iowa 52732  
[\*\*] Term: 14 Years  
[21] Appl. No.: 97,057  
[22] Filed: Nov. 23, 1979

**Related U.S. Application Data**

[63] Continuation-in-part of Ser. No. 847,317, Oct. 31, 1977,  
abandoned.  
[51] Int. Cl. .... D12-16  
[52] U.S. Cl. .... D12/155  
[58] Field of Search ..... D12/155; 15/250.4, 250.41,  
15/250.42, 250.36

[56] **References Cited**

**U.S. PATENT DOCUMENTS**

D. 248,388 7/1978 Hughes ..... D12/155

3,080,596 3/1963 Symbolik ..... 15/250.36  
3,874,019 4/1975 Speth ..... 15/250.41  
4,019,216 4/1977 Priesemuth ..... 15/250.41

Primary Examiner—James M. Gandy  
Attorney, Agent, or Firm—Merchant, Gould, Smith,  
Edell, Welter & Schmidt

[57] **CLAIM**

The ornamental design for a windshield wiper unit,  
substantially as shown and described.

**DESCRIPTION**

FIG. 1 is a top plan view of a windshield wiper unit showing my new design it being understood that the broken lines are for illustrative purposes only;  
FIG. 2 is a bottom plan view thereof;  
FIG. 3 is a side elevational view thereof;  
FIG. 4 is a side elevational view thereof opposite that shown in FIG. 3;  
FIG. 5 is an enlarged end elevational view thereof; and  
FIG. 6 is an enlarged end elevational view of the end opposite that shown in FIG. 5.

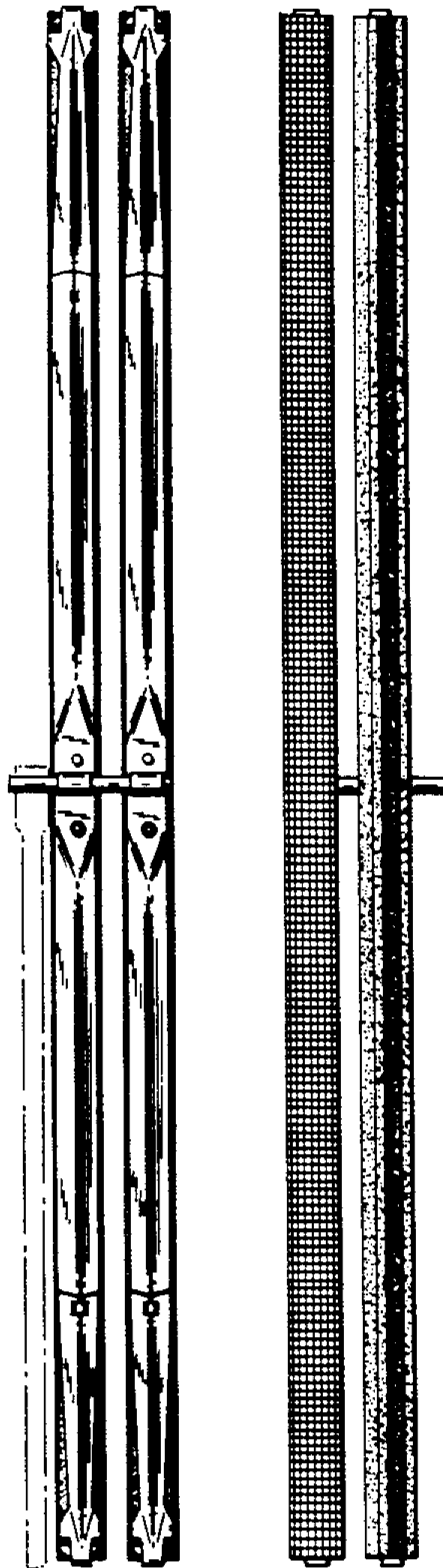


FIG. 1

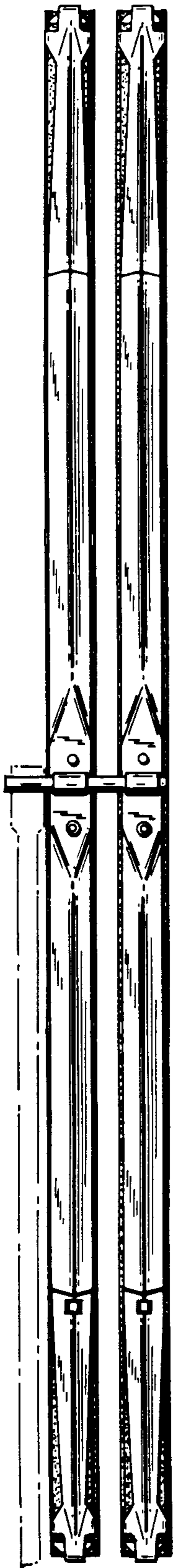


FIG. 2

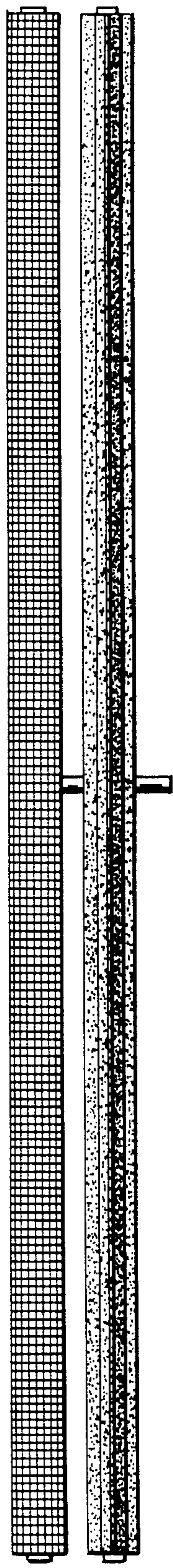


FIG. 3

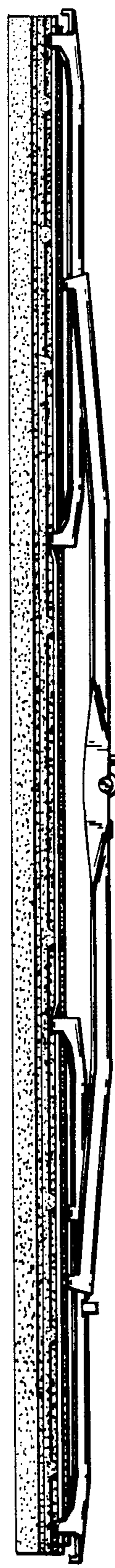


FIG. 4

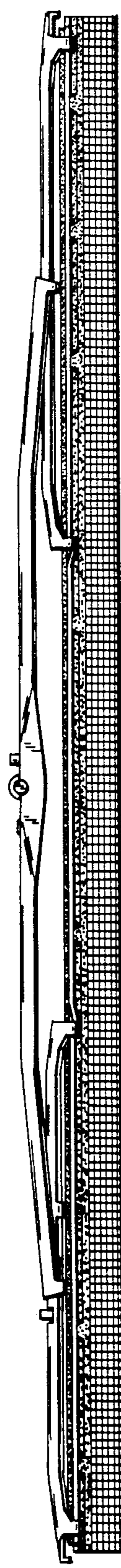


FIG. 5

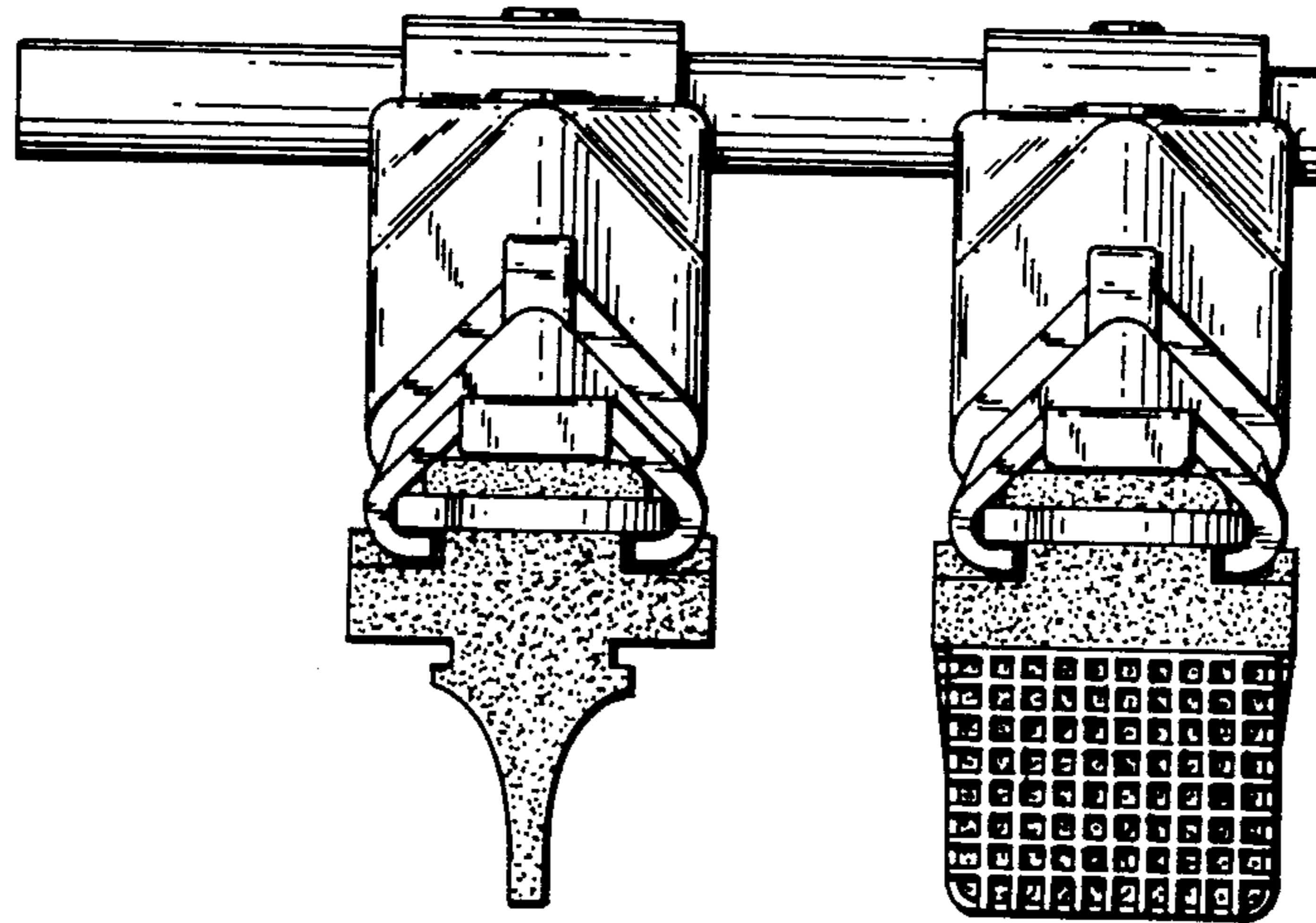


FIG. 6

